



# McGuire Manufacturing Co., Inc.

60 Grandview Court  
Cheshire, Connecticut 06410  
(203) 699-1801 Fax (203) 699-1813  
customerservice@mcguiremfg.com mcguiremfg.com

## PRODUCT SPECIFICATION

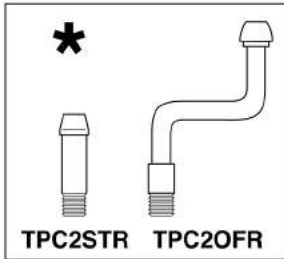
Part No.

**LF157**

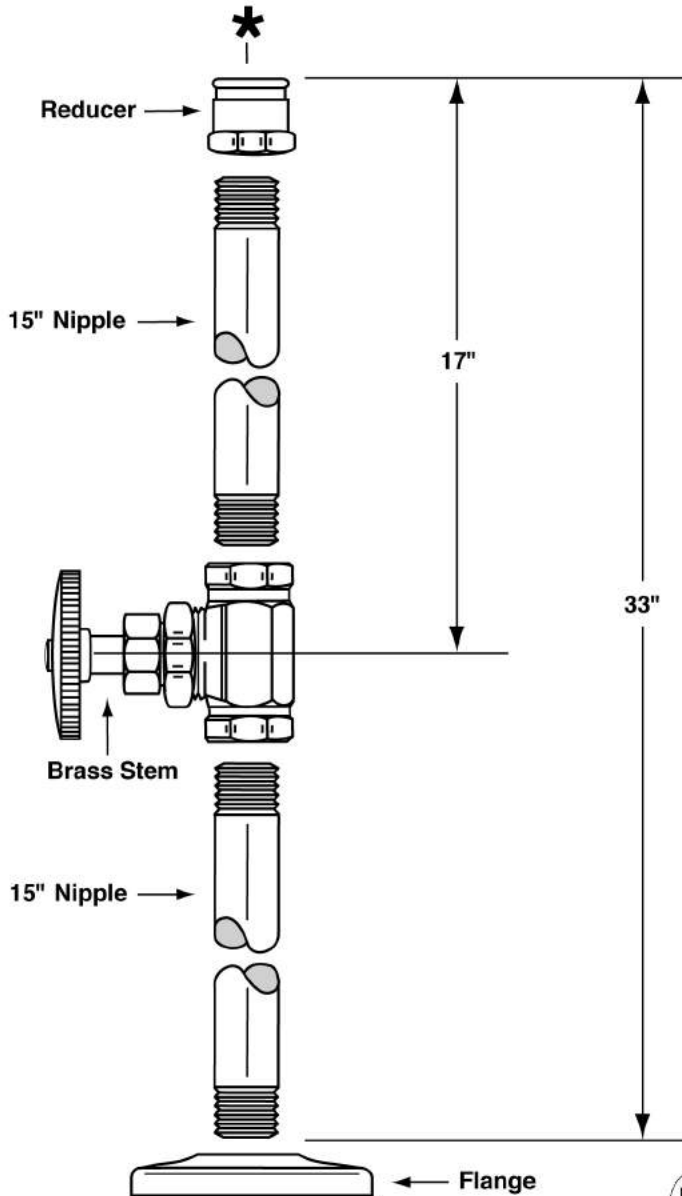
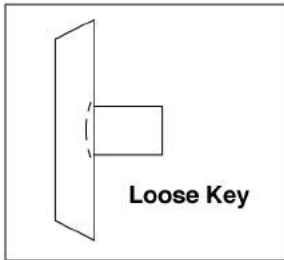
**Rigid Lavatory Supply**

**Job Name:**

**Submittal Number:**



McGuire tailpiece should be ordered separate for connection from reducer to faucet shank.  
(See specification sheet for TPC2STR, TPC2OFR)



**LK** designates Loose Key

See options and accessories section for details on product variations.



## Specifications:

Rigid supply kit shall include lead free chrome plated brass stops with threaded connections, stuffing box, full turn brass stem, no plastic, cast brass nipples, cast brass reducer and (steel, brass) or (forged brass with set screw) flange. Inlet shall be 3/8 inch IPS. Outlet shall be 3/8 inch IPS. Supply kit shall be McGuire \_\_\_\_\_ . Supply kit shall be certified by recognized testing authority and shall bear manufacturer and testing mark.



### WARNING:

This product can expose you to chemicals including lead, which is known to the State of California to cause cancer, and birth defects or other reproductive harm. For more information go to [www.P65Warnings.ca.gov](http://www.P65Warnings.ca.gov).



# McGuire Manufacturing Co., Inc.

60 Grandview Court  
Cheshire, Connecticut 06410  
(203) 699-1801 Fax (203) 699-1813  
customerservice@mcguiremfg.com mcguiremfg.com

Part No.

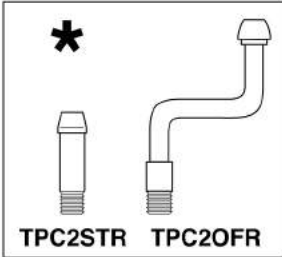
**LF157LK**

**Rigid Lavatory Supply**

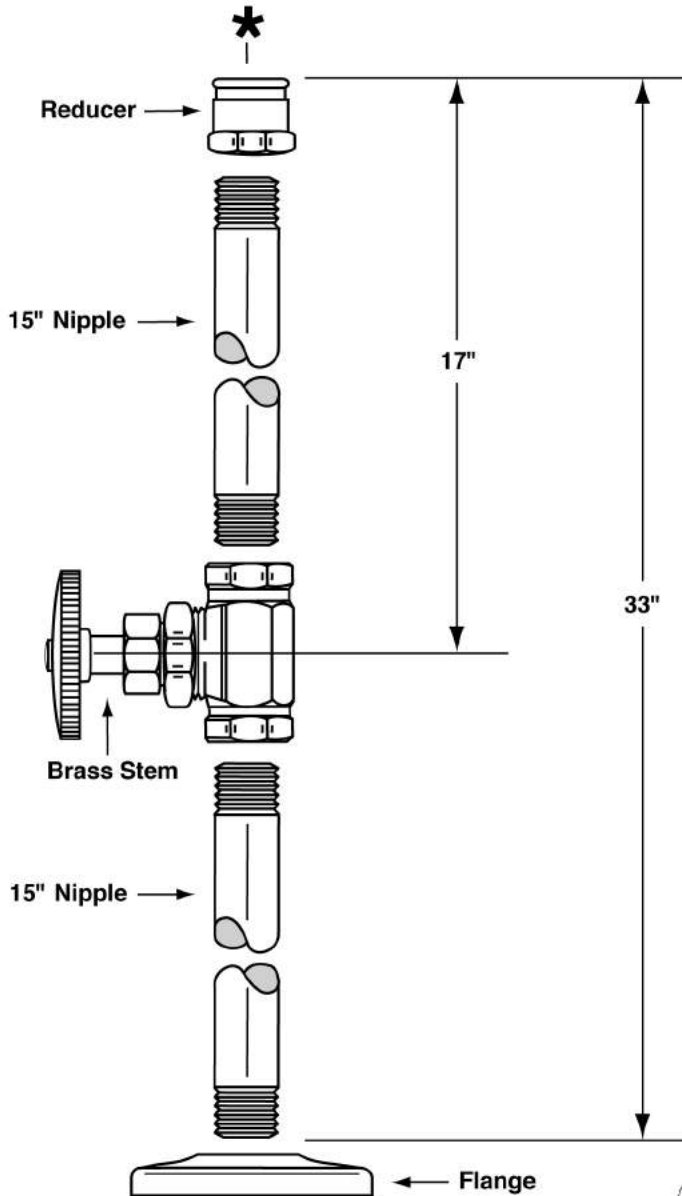
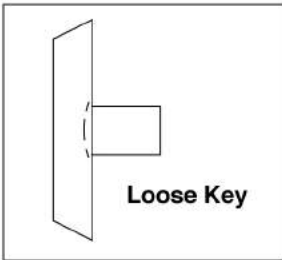
## PRODUCT SPECIFICATION

**Job Name:**

**Submittal Number:**



McGuire tailpiece should be ordered separate for connection from reducer to faucet shank.  
(See specification sheet for TPC2STR, TPC2OFR)



**LK** designates Loose Key

See options and accessories section for details on product variations.



## Specifications:

Rigid supply kit shall include lead free chrome plated brass stops with threaded connections, stuffing box, full turn brass stem, no plastic, cast brass nipples, cast brass reducer and (steel, brass) or (forged brass with set screw) flange. Inlet shall be 3/8 inch IPS. Outlet shall be 3/8 inch IPS. Supply kit shall be McGuire \_\_\_\_\_ . Supply kit shall be certified by recognized testing authority and shall bear manufacturer and testing mark.



### WARNING:

This product can expose you to chemicals including lead, which is known to the State of California to cause cancer, and birth defects or other reproductive harm. For more information go to [www.P65Warnings.ca.gov](http://www.P65Warnings.ca.gov).



# McGuire Manufacturing Co., Inc.

60 Grandview Court  
Cheshire, Connecticut 06410  
(203) 699-1801 Fax (203) 699-1813  
customerservice@mcguiremfg.com mcguiremfg.com

## PRODUCT SPECIFICATION

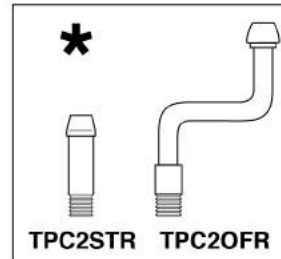
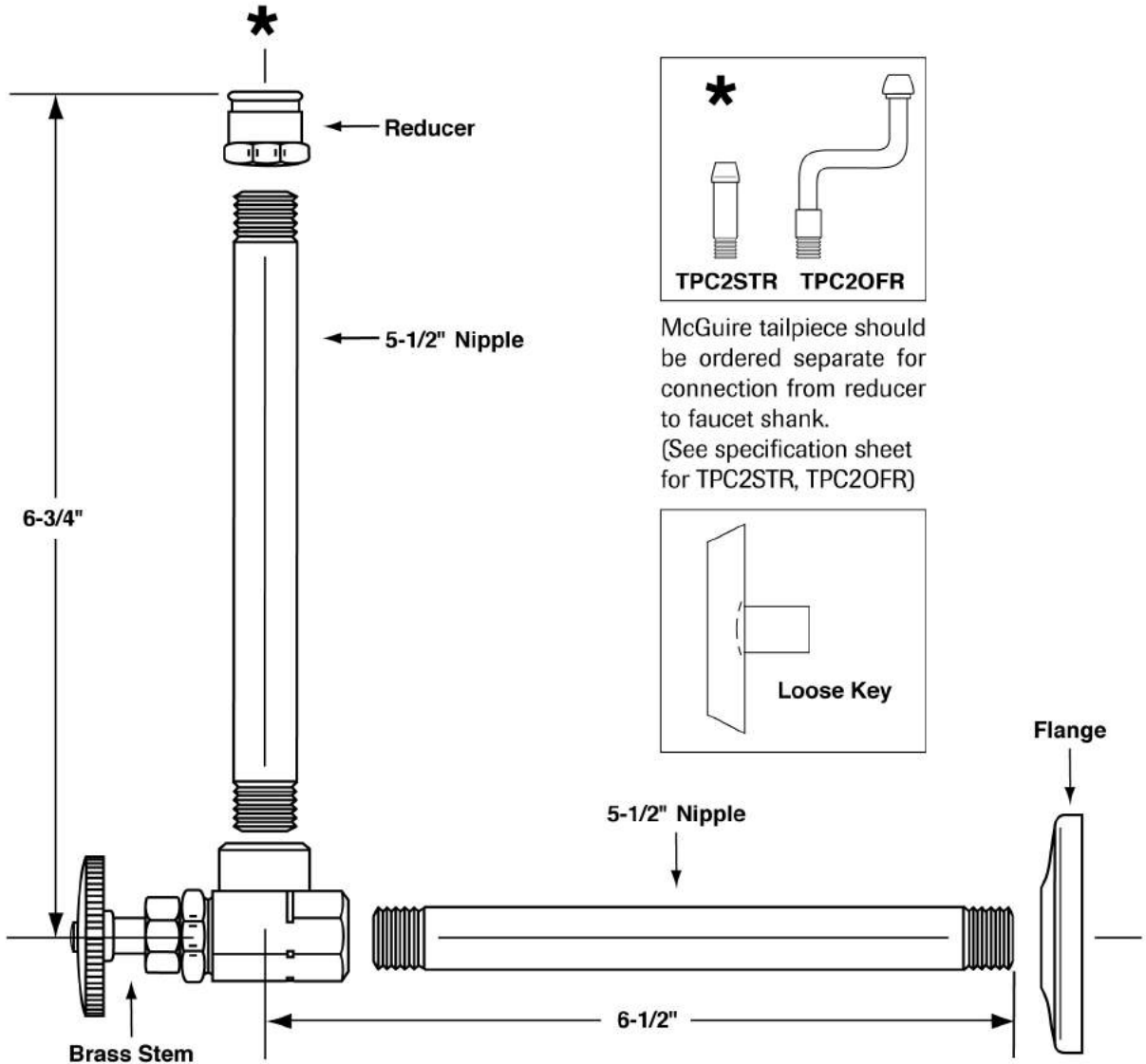
Part No.

**LF158**

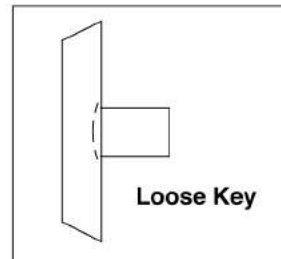
**Rigid Lavatory Supply**

**Job Name:**

**Submittal Number:**



McGuire tailpiece should be ordered separate for connection from reducer to faucet shank.  
(See specification sheet for TPC2STR, TPC2OFR)



**LK** designates Loose Key

See options and accessories section for details on product variations.



## Specifications:

Rigid supply kit shall include lead free chrome plated brass stops with threaded connections, stuffing box, full turn brass stem, no plastic, cast brass nipples, cast brass reducer and (steel, brass) or (forged brass with set screw) flange. Inlet shall be 3/8 inch IPS. Outlet shall be 3/8 inch IPS. Supply kit shall be McGuire \_\_\_\_\_ . Supply kit shall be certified by recognized testing authority and shall bear manufacturer and testing mark.



### WARNING:

This product can expose you to chemicals including lead, which is known to the State of California to cause cancer, and birth defects or other reproductive harm. For more information go to [www.P65Warnings.ca.gov](http://www.P65Warnings.ca.gov).



# McGuire Manufacturing Co., Inc.

60 Grandview Court  
Cheshire, Connecticut 06410  
(203) 699-1801 Fax (203) 699-1813  
customerservice@mcguiremfg.com mcguiremfg.com

## PRODUCT SPECIFICATION

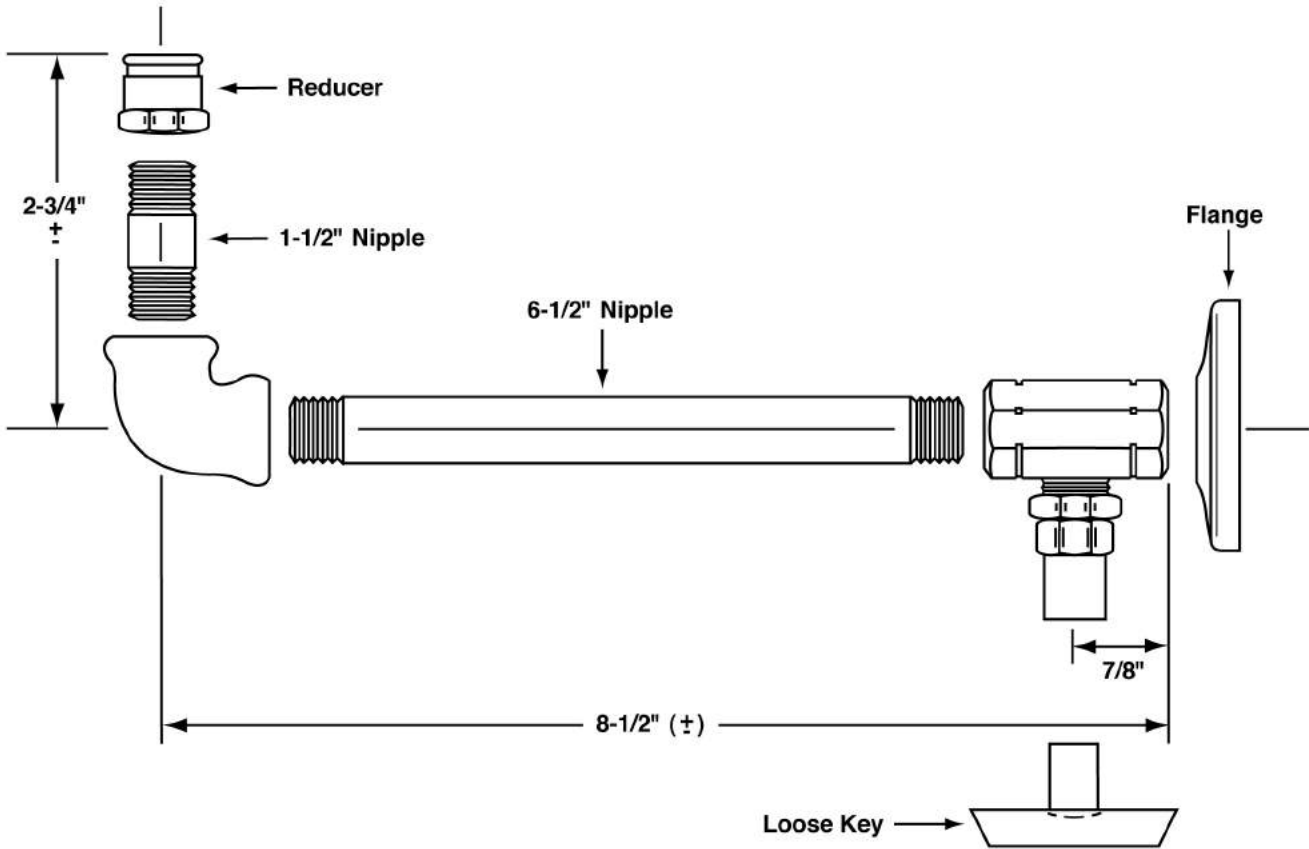
### Part No.

LF158WC

**Rigid Wheelchair  
Lavatory Supply**

**Job Name:**

**Submittal Number:**



See options and accessories section for details on product variations.

### Specifications:

Wheelchair rigid supply kit shall include lead free chrome plated brass stops with threaded connections, stuffing box, full turn brass stem, no plastic, cast brass nipples, cast brass reducer and (steel, brass) or (forged brass with set screw) flange. Inlet shall be 3/8 inch IPS. Outlet shall be 3/8 inch IPS. Supply kit shall be McGuire \_\_\_\_\_. Supply kit shall be certified by recognized testing authority and shall bear manufacturer and testing mark.



#### WARNING:

This product can expose you to chemicals including lead, which is known to the State of California to cause cancer, and birth defects or other reproductive harm. For more information go to [www.P65Warnings.ca.gov](http://www.P65Warnings.ca.gov).





# McGuire Manufacturing Co., Inc.

60 Grandview Court  
Cheshire, Connecticut 06410  
(203) 699-1801 Fax (203) 699-1813  
customerservice@mcguiremfg.com mcguiremfg.com

**Part No.**

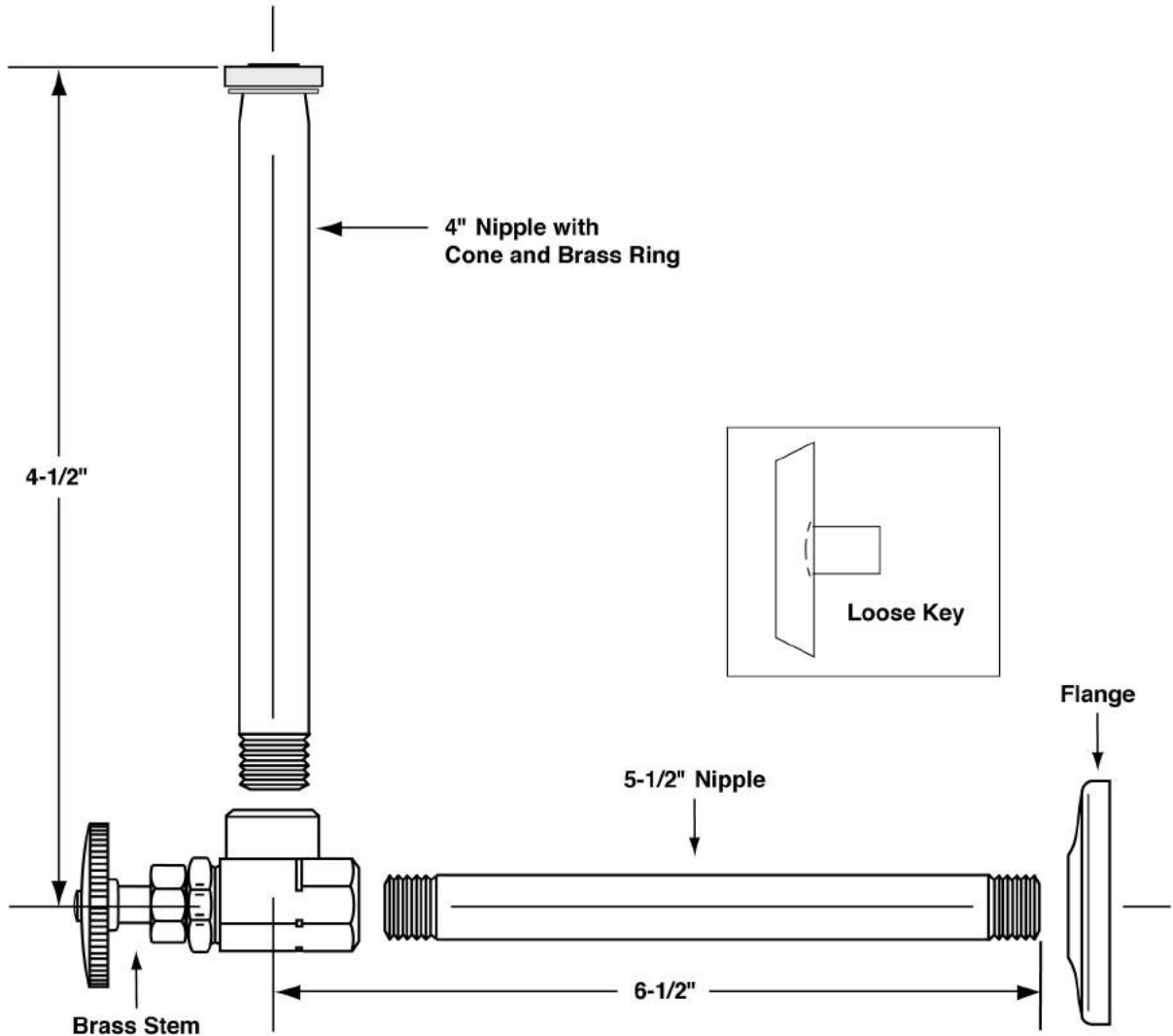
**LF159**

**Rigid Closet Supply**

## PRODUCT SPECIFICATION

**Job Name:**

**Submittal Number:**



**LK** designates Loose Key

See options and accessories section for details on product variations.



## Specifications:

Rigid supply kit shall include lead free chrome plated brass stops with threaded connections, stuffing box, full turn brass stem, no plastic, cast brass nipples, cast brass reducer and (steel, brass) or (forged brass with set screw) flange. Inlet shall be 3/8 inch IPS. Outlet shall be 3/8 inch IPS. Supply kit shall be McGuire \_\_\_\_\_ . Supply kit shall be certified by recognized testing authority and shall bear manufacturer and testing mark.



### WARNING:

This product can expose you to chemicals including lead, which is known to the State of California to cause cancer, and birth defects or other reproductive harm. For more information go to [www.P65Warnings.ca.gov](http://www.P65Warnings.ca.gov).



# McGuire Manufacturing Co., Inc.

60 Grandview Court  
Cheshire, Connecticut 06410  
(203) 699-1801 Fax (203) 699-1813  
customerservice@mcguiremfg.com mcguiremfg.com

Part No.

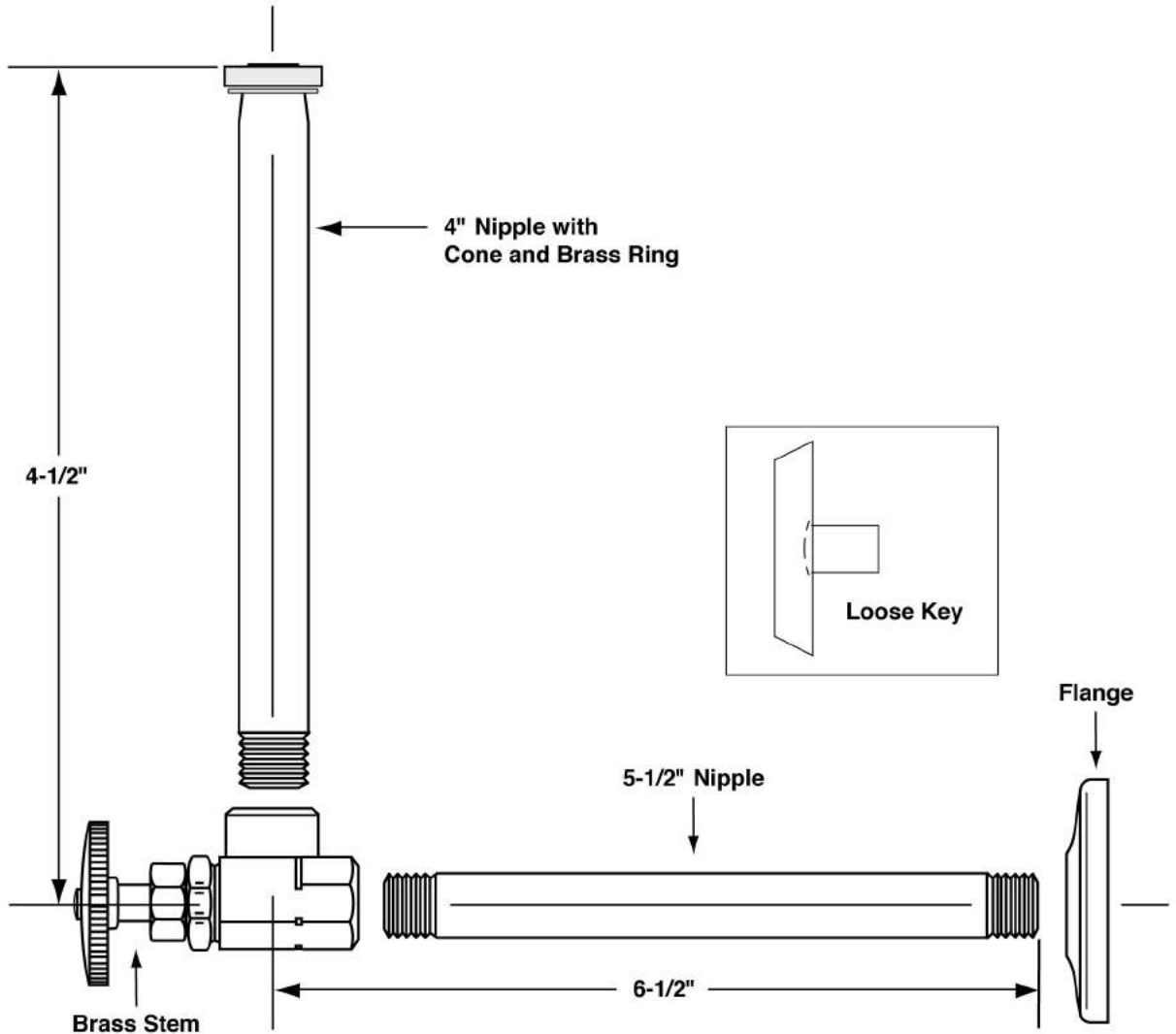
LF159LK

Rigid Closet Supply

## PRODUCT SPECIFICATION

Job Name:

Submittal Number:



**LK** designates Loose Key

See options and accessories section for details on product variations.



## Specifications:

Rigid supply kit shall include lead free chrome plated brass stops with threaded connections, stuffing box, full turn brass stem, no plastic, cast brass nipples, cast brass reducer and (steel, brass) or (forged brass with set screw) flange. Inlet shall be 3/8 inch IPS. Outlet shall be 3/8 inch IPS. Supply kit shall be McGuire \_\_\_\_\_ . Supply kit shall be certified by recognized testing authority and shall bear manufacturer and testing mark.



### WARNING:

This product can expose you to chemicals including lead, which is known to the State of California to cause cancer, and birth defects or other reproductive harm. For more information go to [www.P65Warnings.ca.gov](http://www.P65Warnings.ca.gov).



# McGuire Manufacturing Co., Inc.

60 Grandview Court  
Cheshire, Connecticut 06410  
(203) 699-1801 Fax (203) 699-1813  
customerservice@mcguiremfg.com mcguiremfg.com

## PRODUCT SPECIFICATION

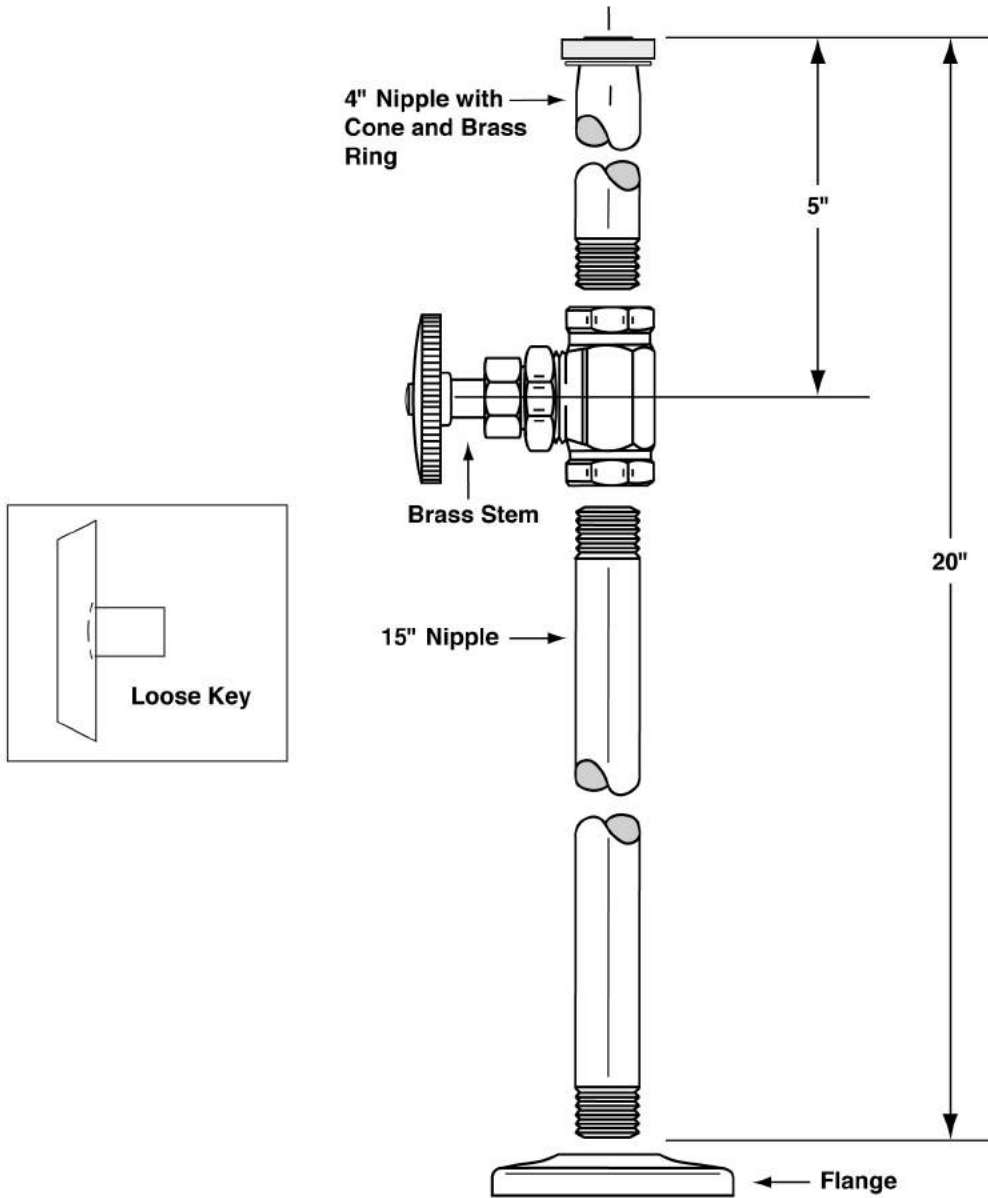
Part No.

**LF160**

**Rigid Closet Supply**

**Job Name:**

**Submittal Number:**



**LK** designates Loose Key

See options and accessories section for details on product variations.



## Specifications:

Rigid supply kit shall include lead free chrome plated brass stops with threaded connections, stuffing box, full turn brass stem, no plastic, brass nipples, cast brass reducer and (steel, brass) or (forged brass with set screw) flange. Inlet shall be 3/8 inch IPS. Outlet shall be 3/8 inch IPS. Supply kit shall be McGuire \_\_\_\_\_. Supply kit shall be certified by recognized testing authority and shall bear manufacturer and testing mark.



### WARNING:

This product can expose you to chemicals including lead, which is known to the State of California to cause cancer, and birth defects or other reproductive harm. For more information go to [www.P65Warnings.ca.gov](http://www.P65Warnings.ca.gov).



**McGuire Manufacturing Co., Inc.**

60 Grandview Court  
Cheshire, Connecticut 06410  
(203) 699-1801 Fax (203) 699-1813  
customerservice@mcguiremfg.com mcguiremfg.com

**PRODUCT SPECIFICATION**

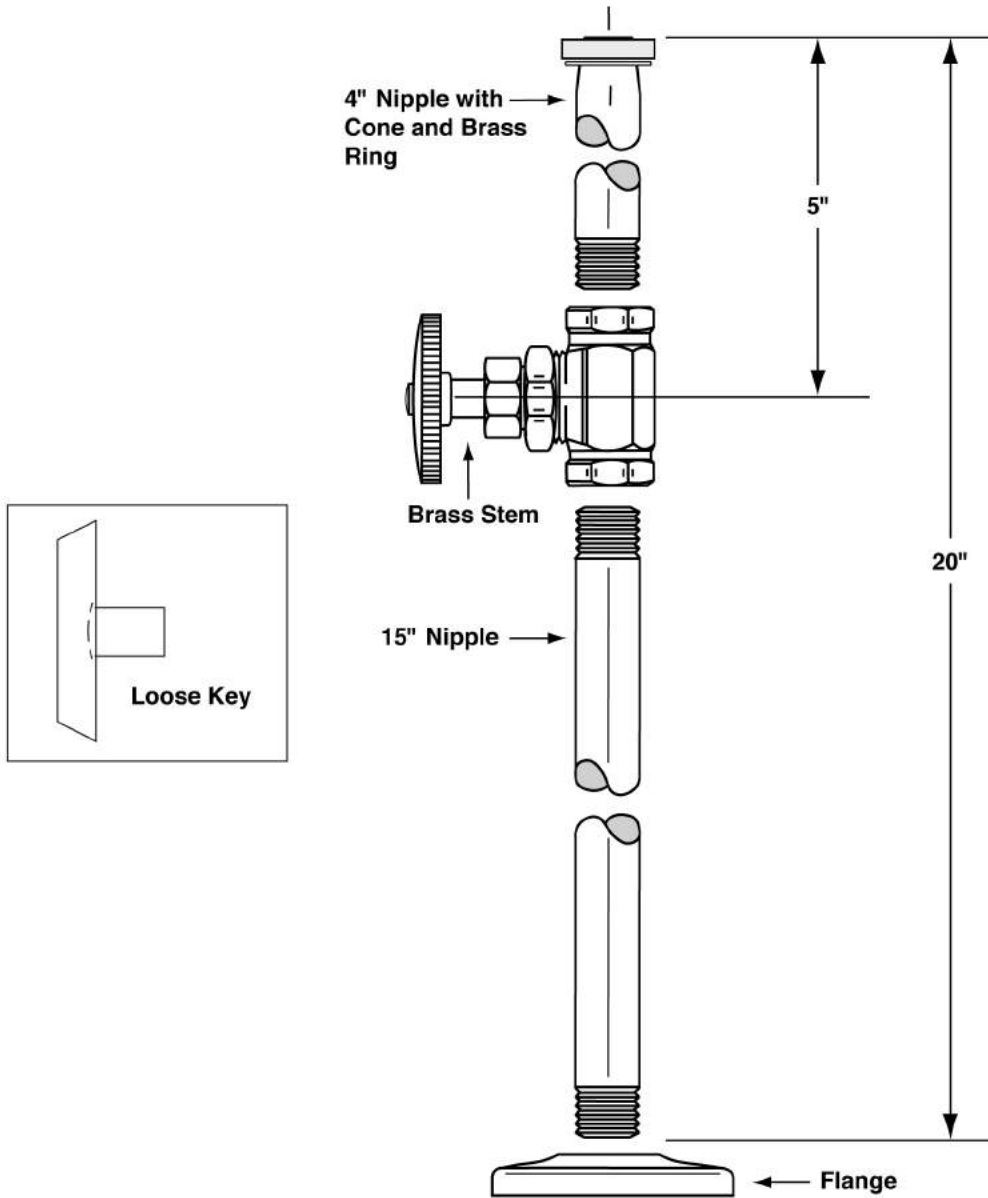
**Part No.**

**LF160LK**

**Rigid Closet Supply**

**Job Name:**

**Submittal Number:**



**LK** designates Loose Key

See options and accessories section for details on product variations.



**Specifications:**

Rigid supply kit shall include lead free chrome plated brass stops with threaded connections, stuffing box, full turn brass stem, no plastic, brass nipples, cast brass reducer and (steel, brass) or (forged brass with set screw) flange. Inlet shall be 3/8 inch IPS. Outlet shall be 3/8 inch IPS. Supply kit shall be McGuire \_\_\_\_\_. Supply kit shall be certified by recognized testing authority and shall bear manufacturer and testing mark.

**WARNING:**

This product can expose you to chemicals including lead, which is known to the State of California to cause cancer, and birth defects or other reproductive harm. For more information go to [www.P65Warnings.ca.gov](http://www.P65Warnings.ca.gov).



# McGuire Manufacturing Co., Inc.

60 Grandview Court  
 Cheshire, Connecticut 06410  
 (203) 699-1801 Fax (203) 699-1813  
 customerservice@mcguiremfg.com mcguiremfg.com

## PRODUCT SPECIFICATION

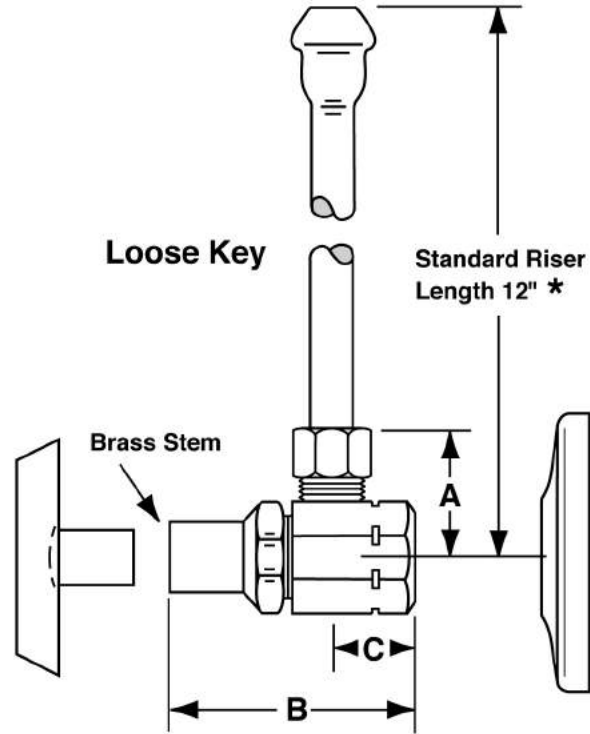
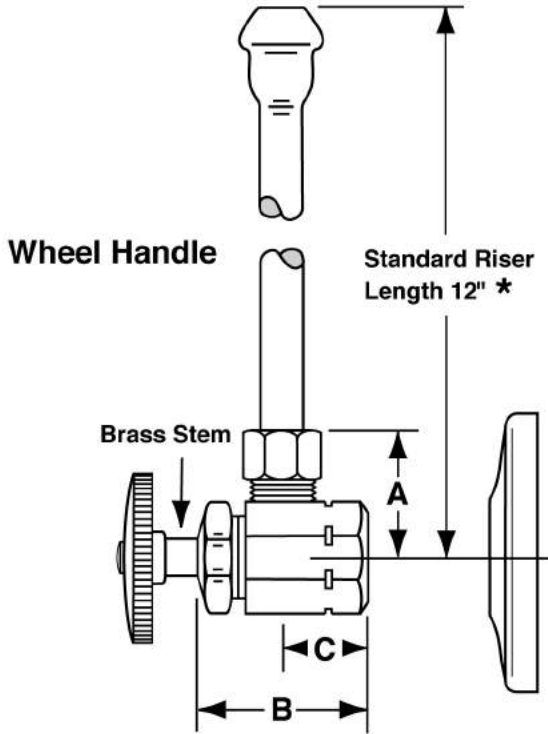
Part No.

**LF165**

**Lavatory Supply**  
**3/8" I.P.S. x O.D.**

**Job Name:** \_\_\_\_\_

**Submittal Number:** \_\_\_\_\_



NO.	DESCRIPTION	ROUGHING MEASUREMENTS		
		A	B	C
<b>LF165</b>	3/8" I.P.S. x 3/8" O.D.	1"	1-1/2"	3/4"

**LK** designates Loose Key

\* See options and accessories section for details on product variations.



## Specifications:

Supply kit shall include lead free chrome plated supply stop valves with full turn brass stem, no plastic, (12, 15, 20) inch chrome plated risers and (shallow, deep, bell) (steel, brass) or (forged brass with set screw) flange. Inlet shall be 3/8 inch IPS. Outlet shall be 3/8 inch compression. Supply kit shall be McGuire \_\_\_\_\_. Supply shall be certified by recognized authority and bear manufacturer and testing mark.



### WARNING:

This product can expose you to chemicals including lead, which is known to the State of California to cause cancer, and birth defects or other reproductive harm. For more information go to [www.P65Warnings.ca.gov](http://www.P65Warnings.ca.gov).





# McGuire Manufacturing Co., Inc.

60 Grandview Court  
 Cheshire, Connecticut 06410  
 (203) 699-1801 Fax (203) 699-1813  
 customerservice@mcguiremfg.com mcguiremfg.com

## PRODUCT SPECIFICATION

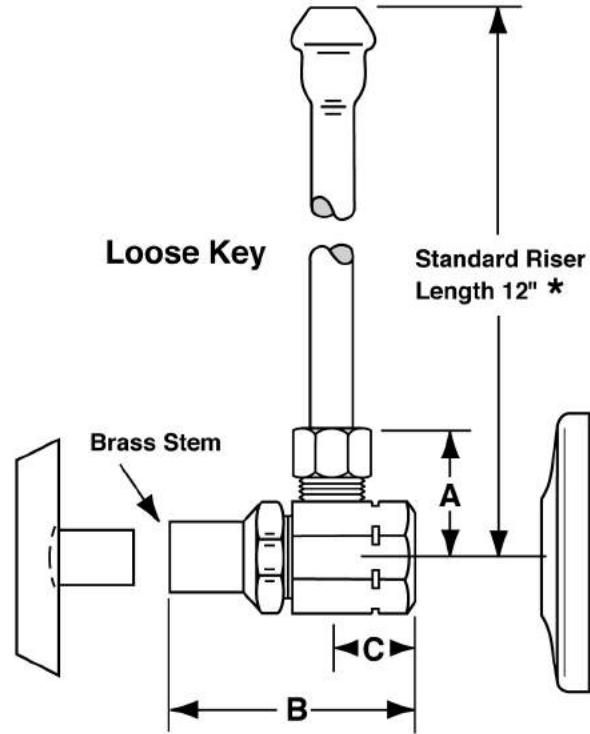
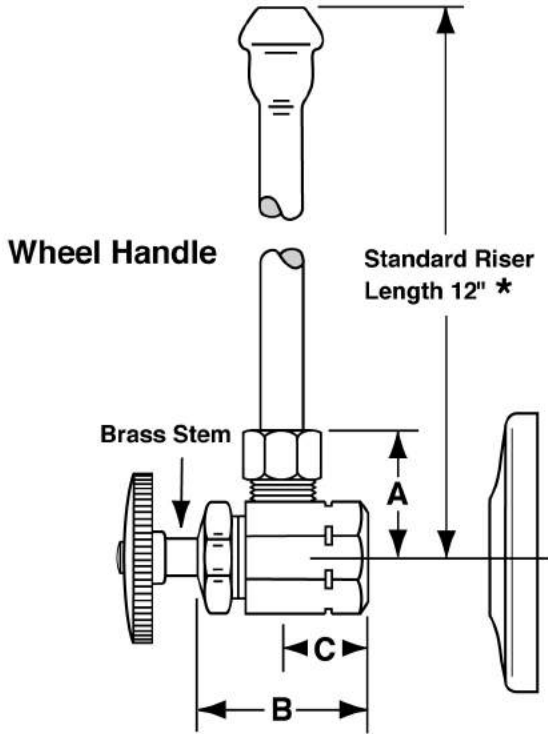
Part No.

**LF165LK**

**Lavatory Supply**  
**3/8" I.P.S. x O.D.**

**Job Name:**

**Submittal Number:**



NO.	DESCRIPTION	ROUGHING MEASUREMENTS		
		A	B	C
LF165LK	3/8" I.P.S. x 3/8" O.D.	1"	2-1/4"	3/4"

### LF167

**LK** designates Loose Key

\* See options and accessories section for details on product variations.



## Specifications:

Supply kit shall include lead free chrome plated supply stop valves with full turn brass stem, no plastic, (12, 15, 20) inch chrome plated risers and (shallow, deep, bell) (steel, brass) or (forged brass with set screw) flange. Inlet shall be 3/8 inch IPS. Outlet shall be 3/8 inch compression. Supply kit shall be McGuire \_\_\_\_\_. Supply shall be certified by recognized authority and bear manufacturer and testing mark.



### WARNING:

This product can expose you to chemicals including lead, which is known to the State of California to cause cancer, and birth defects or other reproductive harm. For more information go to [www.P65Warnings.ca.gov](http://www.P65Warnings.ca.gov).





# McGuire Manufacturing Co., Inc.

60 Grandview Court  
Cheshire, Connecticut 06410  
(203) 699-1801 Fax (203) 699-1813  
customerservice@mcguiremfg.com mcguiremfg.com

## PRODUCT SPECIFICATION

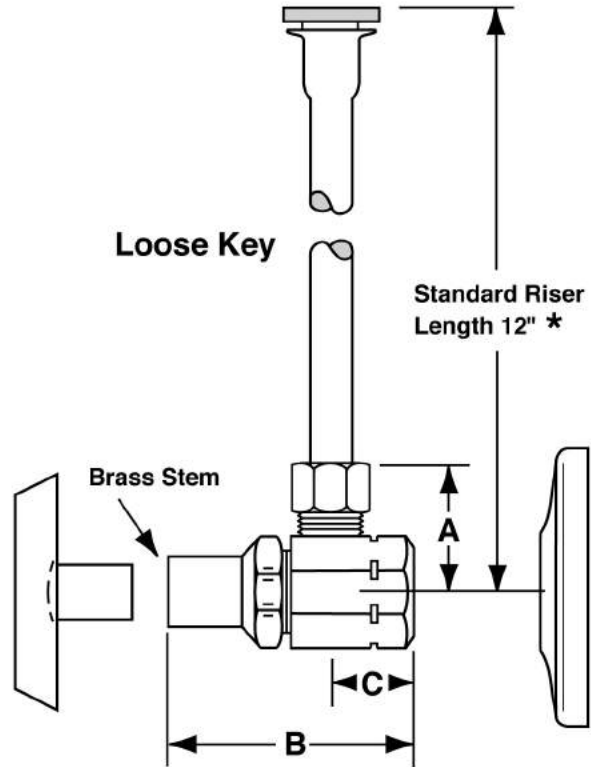
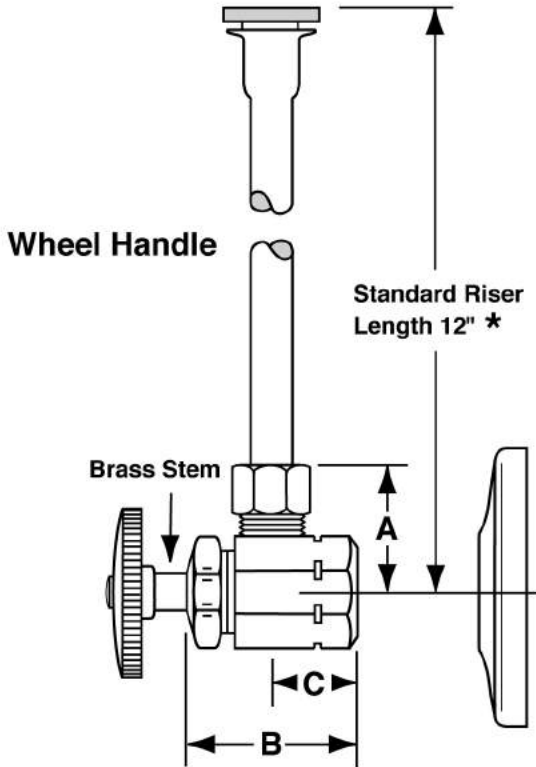
Part No.

**LF166**

**Closet Supply**  
**3/8" I.P.S. x O.D.**

**Job Name:** \_\_\_\_\_

**Submittal Number:** \_\_\_\_\_



NO.	DESCRIPTION	ROUGHING MEASUREMENTS		
		A	B	C
<b>LF166</b>	3/8" I.P.S. x 3/8" O.D.	1"	1-1/2"	3/4"

**LK** designates Loose Key

★ See options and accessories section for details on product variations.



## Specifications:

Supply kit shall include lead free chrome plated brass supply stop valves with full turn brass stem, no plastic, (12, 15, 20) inch chrome plated risers and (shallow, deep, bell) (steel, brass) or (forged brass with set screw) flange. Inlet shall be (3/8, 1/2) inch (IPS, sweat, compression). Outlet shall be (3/8, 1/2) inch (IPS, compression). Supply kit shall be McGuire \_\_\_\_\_. Supply kit shall be certified by recognized authority and bear manufacturer and testing mark.



### WARNING:

This product can expose you to chemicals including lead, which is known to the State of California to cause cancer, and birth defects or other reproductive harm. For more information go to [www.P65Warnings.ca.gov](http://www.P65Warnings.ca.gov).



# McGuire Manufacturing Co., Inc.

60 Grandview Court  
 Cheshire, Connecticut 06410  
 (203) 699-1801 Fax (203) 699-1813  
 customerservice@mcguiremfg.com mcguiremfg.com

## PRODUCT SPECIFICATION

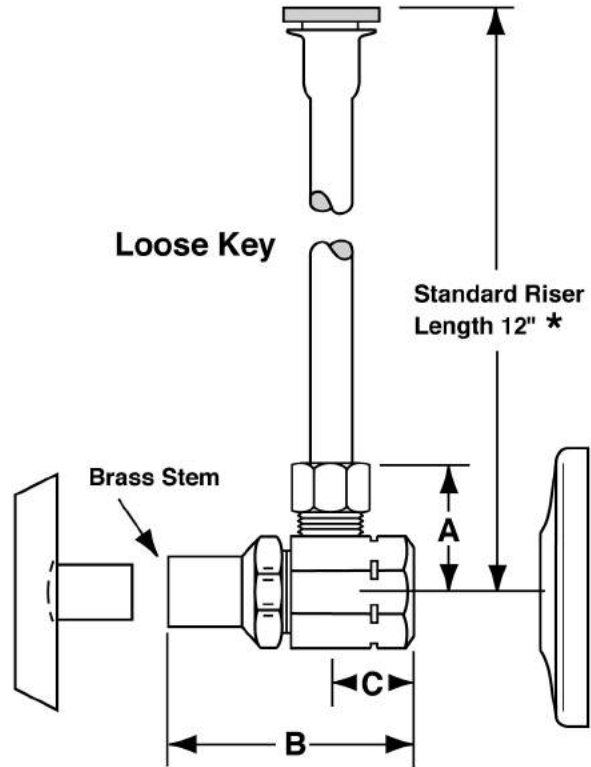
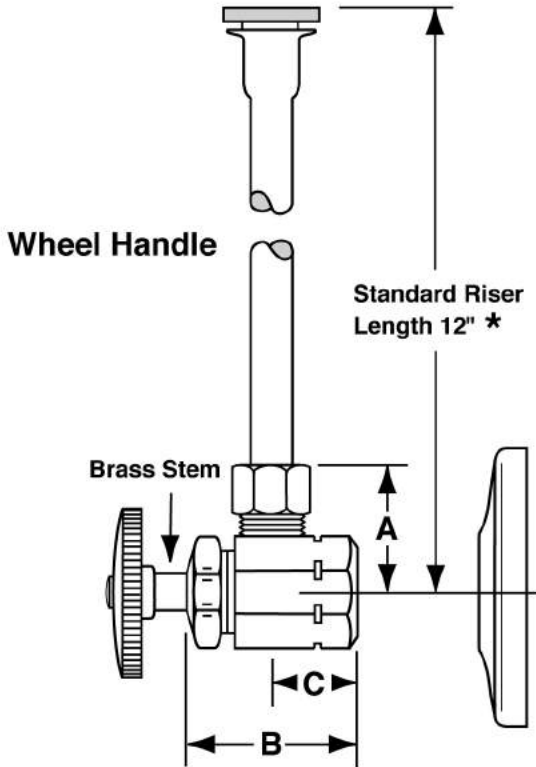
Part No.

**LF166LK**

**Closet Supply**  
**3/8" I.P.S. x O.D.**

**Job Name:** \_\_\_\_\_

**Submittal Number:** \_\_\_\_\_



NO.	DESCRIPTION	ROUGHING MEASUREMENTS		
		A	B	C
LF166LK	3/8" I.P.S. x 3/8" O.D.	1"	2-1/4"	3/4"

**LK** designates Loose Key

\* See options and accessories section for details on product variations.



## Specifications:

Supply kit shall include lead free chrome plated brass supply stop valves with full turn brass stem, no plastic, (12, 15, 20) inch chrome plated risers and (shallow, deep, bell) (steel, brass) or (forged brass with set screw) flange. Inlet shall be (3/8, 1/2) inch (IPS, sweat, compression). Outlet shall be (3/8, 1/2) inch (IPS, compression). Supply kit shall be McGuire \_\_\_\_\_. Supply kit shall be certified by recognized authority and bear manufacturer and testing mark.



### WARNING:

This product can expose you to chemicals including lead, which is known to the State of California to cause cancer, and birth defects or other reproductive harm. For more information go to [www.P65Warnings.ca.gov](http://www.P65Warnings.ca.gov).



# McGuire Manufacturing Co., Inc.

60 Grandview Court  
 Cheshire, Connecticut 06410  
 (203) 699-1801 Fax (203) 699-1813  
 customerservice@mcguiremfg.com mcguiremfg.com

## PRODUCT SPECIFICATION

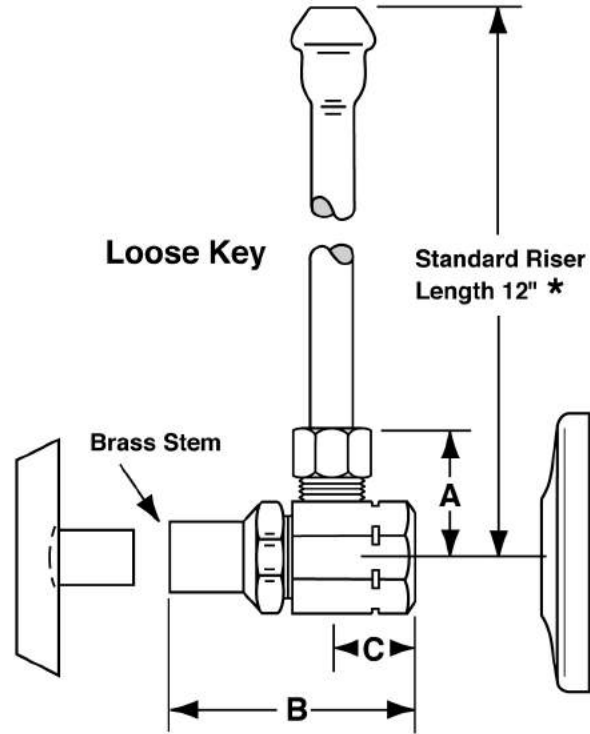
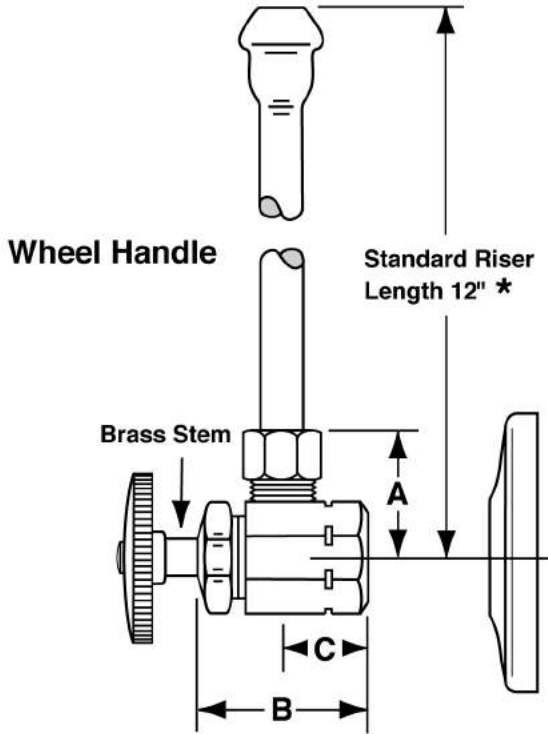
Part No.

**LF167**

**Lavatory Supply**  
**3/8" I.P.S. x O.D.**

**Job Name:** \_\_\_\_\_

**Submittal Number:** \_\_\_\_\_



NO.	DESCRIPTION	ROUGHING MEASUREMENTS		
		A	B	C
<b>LF167</b>	3/8" I.P.S. x 1/2" O.D.	1"	1-1/2"	3/4"

**LK** designates Loose Key

\* See options and accessories section for details on product variations.



## Specifications:

Supply kit shall include lead free chrome plated supply stop valves with full turn brass stem, no plastic, (12, 15, 20) inch chrome plated risers and (shallow, deep, bell) (steel, brass) or (forged brass with set screw) flange. Inlet shall be 3/8 inch IPS. Outlet shall be 3/8 inch compression. Supply kit shall be McGuire \_\_\_\_\_. Supply shall be certified by recognized authority and bear manufacturer and testing mark.



### WARNING:

This product can expose you to chemicals including lead, which is known to the State of California to cause cancer, and birth defects or other reproductive harm. For more information go to [www.P65Warnings.ca.gov](http://www.P65Warnings.ca.gov).



# McGuire Manufacturing Co., Inc.

60 Grandview Court  
Cheshire, Connecticut 06410  
(203) 699-1801 Fax (203) 699-1813  
customerservice@mcguiremfg.com mcguiremfg.com

## PRODUCT SPECIFICATION

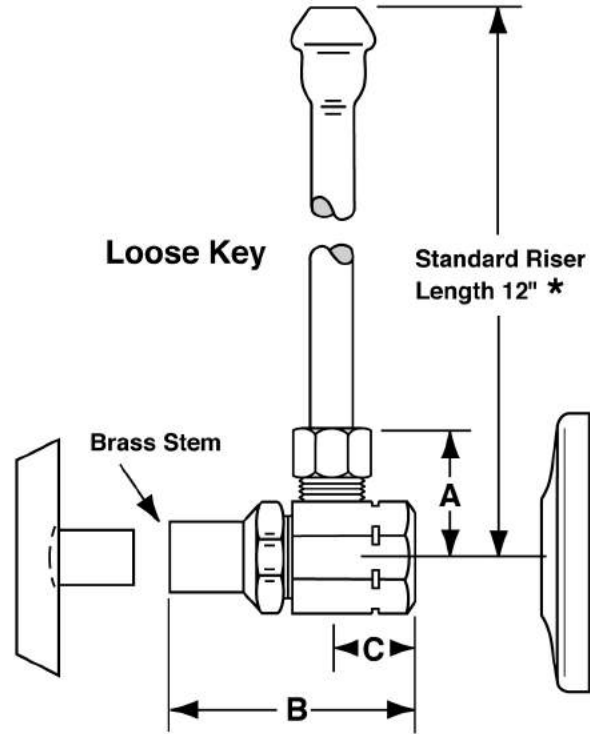
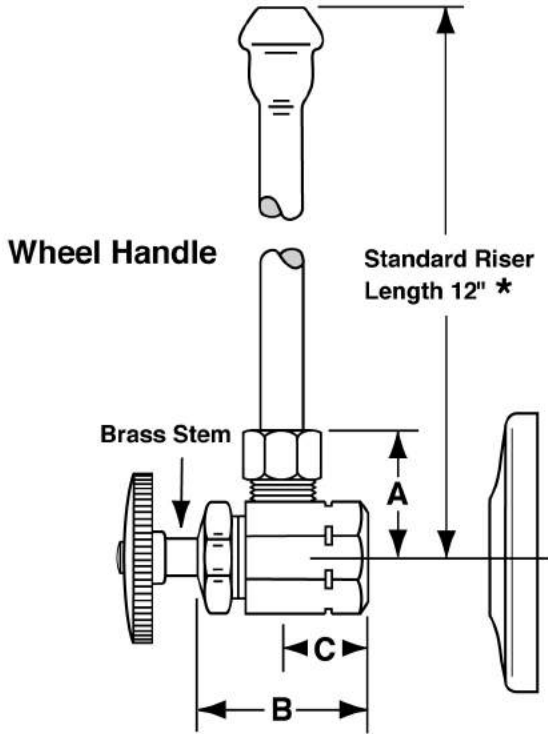
Part No.

# LF167LK

### Lavatory Supply 3/8" I.P.S. x O.D.

Job Name: \_\_\_\_\_

Submittal Number: \_\_\_\_\_



NO.	DESCRIPTION	ROUGHING MEASUREMENTS		
		A	B	C
LF167LK	3/8" I.P.S. x 1/2" O.D.	1"	2-1/4"	3/4"

LK designates Loose Key

\* See options and accessories section for details on product variations.



## Specifications:

Supply kit shall include lead free chrome plated supply stop valves with full turn brass stem, no plastic, (12, 15, 20) inch chrome plated risers and (shallow, deep, bell) (steel, brass) or (forged brass with set screw) flange. Inlet shall be 3/8 inch IPS. Outlet shall be 3/8 inch compression. Supply kit shall be McGuire \_\_\_\_\_. Supply shall be certified by recognized authority and bear manufacturer and testing mark.



### WARNING:

This product can expose you to chemicals including lead, which is known to the State of California to cause cancer, and birth defects or other reproductive harm. For more information go to [www.P65Warnings.ca.gov](http://www.P65Warnings.ca.gov).





# McGuire Manufacturing Co., Inc.

60 Grandview Court  
Cheshire, Connecticut 06410  
(203) 699-1801 Fax (203) 699-1813  
customerservice@mcguiremfg.com mcguiremfg.com

## PRODUCT SPECIFICATION

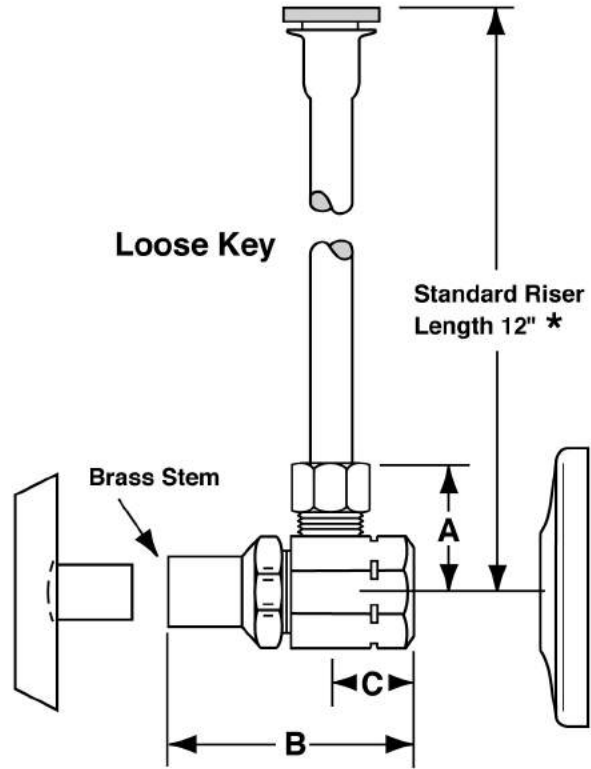
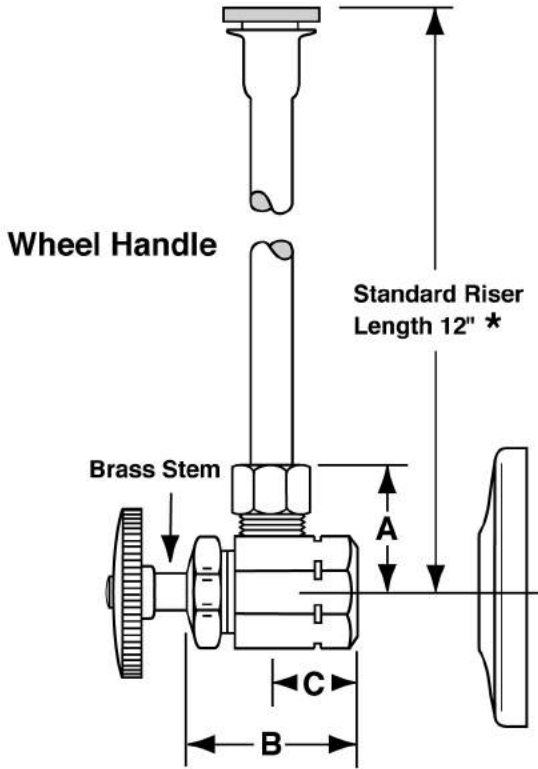
Part No.

**LF169**

**Closet Supply**  
**3/8" I.P.S. x O.D.**

**Job Name:** \_\_\_\_\_

**Submittal Number:** \_\_\_\_\_



NO.	DESCRIPTION	ROUGHING MEASUREMENTS		
		A	B	C
<b>LF169</b>	3/8" I.P.S. x 1/2" O.D.	1"	1-1/2"	3/4"

**LK** designates Loose Key

★ See options and accessories section for details on product variations.



## Specifications:

Supply kit shall include lead free chrome plated brass supply stop valves with full turn brass stem, no plastic, (12, 15, 20) inch chrome plated risers and (shallow, deep, bell) (steel, brass) or (forged brass with set screw) flange. Inlet shall be (3/8, 1/2) inch (IPS, sweat, compression). Outlet shall be (3/8, 1/2) inch (IPS, compression). Supply kit shall be McGuire \_\_\_\_\_. Supply kit shall be certified by recognized authority and bear manufacturer and testing mark.



### WARNING:

This product can expose you to chemicals including lead, which is known to the State of California to cause cancer, and birth defects or other reproductive harm. For more information go to [www.P65Warnings.ca.gov](http://www.P65Warnings.ca.gov).



# McGuire Manufacturing Co., Inc.

60 Grandview Court  
 Cheshire, Connecticut 06410  
 (203) 699-1801 Fax (203) 699-1813  
 customerservice@mcguiremfg.com mcguiremfg.com

## PRODUCT SPECIFICATION

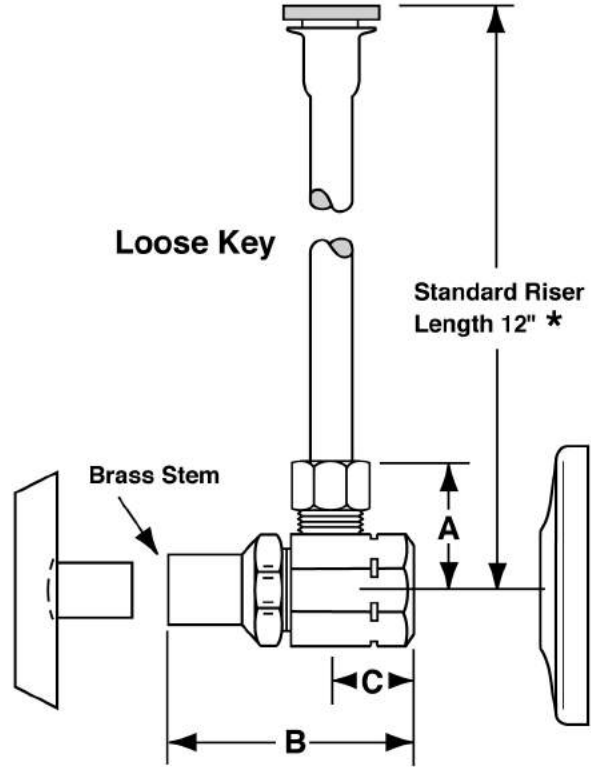
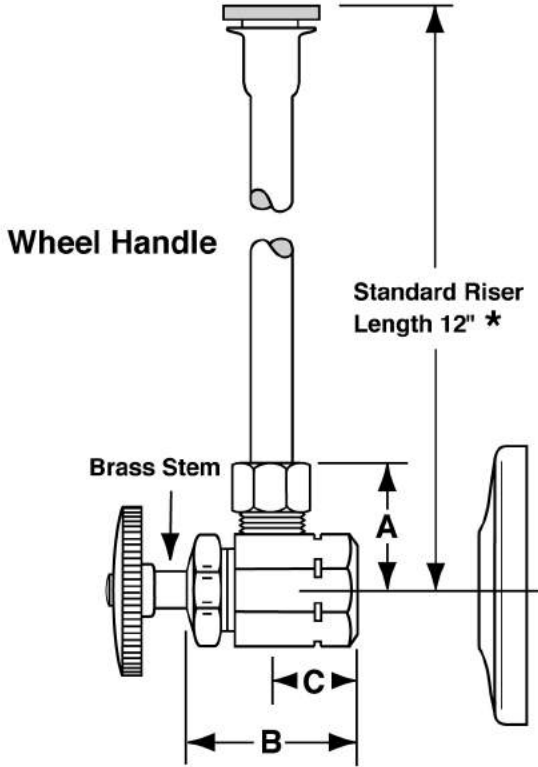
Part No.

**LF169LK**

**Closet Supply**  
**3/8" I.P.S. x O.D.**

**Job Name:** \_\_\_\_\_

**Submittal Number:** \_\_\_\_\_



NO.	DESCRIPTION	ROUGHING MEASUREMENTS		
		A	B	C
LF169LK	3/8" I.P.S. x 1/2" O.D.	1"	2-1/4"	3/4"

**LK** designates Loose Key

\* See options and accessories section for details on product variations.



## Specifications:

Supply kit shall include lead free chrome plated brass supply stop valves with full turn brass stem, no plastic, (12, 15, 20) inch chrome plated risers and (shallow, deep, bell) (steel, brass) or (forged brass with set screw) flange. Inlet shall be (3/8, 1/2) inch (IPS, sweat, compression). Outlet shall be (3/8, 1/2) inch (IPS, compression). Supply kit shall be McGuire \_\_\_\_\_. Supply kit shall be certified by recognized authority and bear manufacturer and testing mark.



### WARNING:

This product can expose you to chemicals including lead, which is known to the State of California to cause cancer, and birth defects or other reproductive harm. For more information go to [www.P65Warnings.ca.gov](http://www.P65Warnings.ca.gov).





**McGuire Manufacturing Co., Inc.**

60 Grandview Court  
 Cheshire, Connecticut 06410  
 (203) 699-1801 Fax (203) 699-1813  
 customerservice@mcguiremfg.com mcguiremfg.com

**PRODUCT SPECIFICATION**

**Part No.**

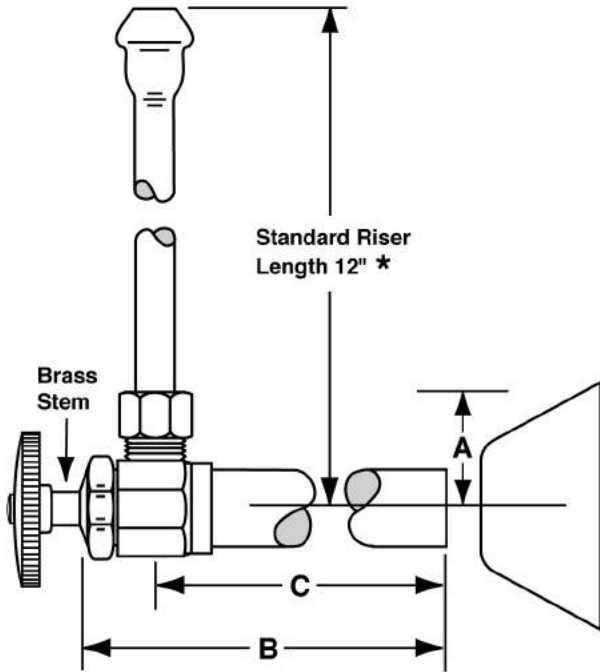
**LF170**

**Sweat Lavatory Supply  
 with 5" Extension**

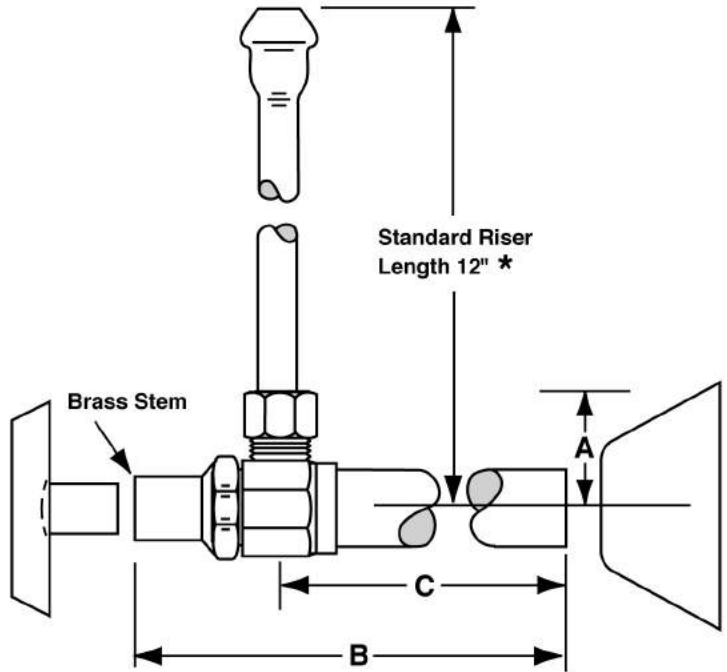
**Job Name:**

**Submittal Number:**

**Wheel Handle  
 with 5"  
 Extension Tube**



**Loose Key  
 with 5"  
 Extension Tube**



NO.	DESCRIPTION	ROUGHING MEASUREMENTS		
		A	B	C
<b>LF170</b>	1/2" Sweat x 3/8" O.D.	1"	6-1/4"	5-1/2"

**LK** designates Loose Key

\* See options and accessories section for details on product variations.



**Specifications:**

Supply kit shall include lead free chrome plated brass supply stop valves with full turn brass stem, no plastic, (12, 15, 20) inch chrome plated risers and (shallow, deep, bell) (steel, brass) or (forged brass with set screw) flange. Inlet shall be (3/8, 1/2) inch (IPS, sweat, compression). Outlet shall be (3/8, 1/2) inch (IPS, compression). Supply kit shall be McGuire \_\_\_\_\_ . Supply kit shall be certified by recognized authority and bear manufacturer and testing mark.



**WARNING:**

This product can expose you to chemicals including lead, which is known to the State of California to cause cancer, and birth defects or other reproductive harm. For more information go to [www.P65Warnings.ca.gov](http://www.P65Warnings.ca.gov).



# McGuire Manufacturing Co., Inc.

60 Grandview Court  
Cheshire, Connecticut 06410  
(203) 699-1801 Fax (203) 699-1813  
customerservice@mcguiremfg.com mcguiremfg.com

## PRODUCT SPECIFICATION

Part No.

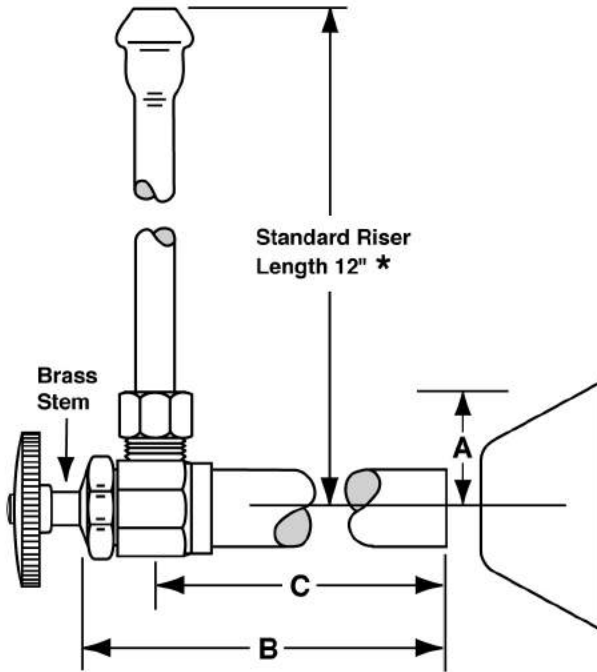
# LF170ECO

## Sweat Lavatory Supply with 5" Extension

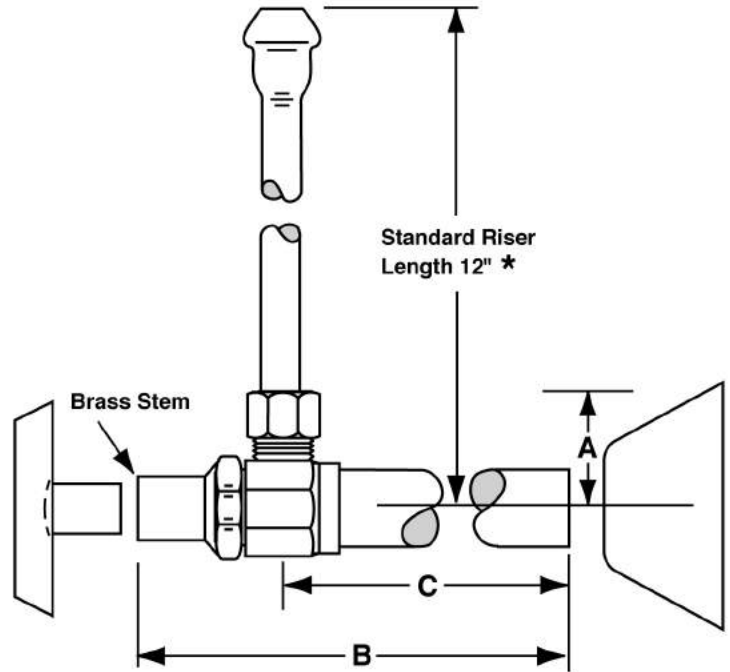
Job Name: \_\_\_\_\_

Submittal Number: \_\_\_\_\_

### Wheel Handle with 5" Extension Tube



### Loose Key with 5" Extension Tube



NO.	DESCRIPTION	ROUGHING MEASUREMENTS		
		A	B	C
LF170ECO	1/2" Sweat x 3/8" O.D.	1"	6-1/4"	5-1/2"

- Rated Operating Pressure: 20-125 PSI
- Rated Operating Temperature: 40-140°F
- Note: 180°F max. during temporary high-temperature system flush

**LK** designates Loose Key

\* See options and accessories section for details on product variations.



## Specifications:

Supply kit shall include lead free chrome plated brass supply stop valves with full turn brass stem, no plastic, (12, 15, 20) inch chrome plated risers and (shallow, deep, bell) (steel, brass) or (forged brass with set screw) flange. Inlet shall be (3/8, 1/2) inch (IPS, sweat, compression). Outlet shall be (3/8, 1/2) inch (IPS, compression). Supply kit shall be McGuire \_\_\_\_\_. Supply kit shall be certified by recognized authority and bear manufacturer and testing mark.



### WARNING:

This product can expose you to chemicals including lead, which is known to the State of California to cause cancer, and birth defects or other reproductive harm. For more information go to [www.P65Warnings.ca.gov](http://www.P65Warnings.ca.gov).



**McGuire Manufacturing Co., Inc.**

60 Grandview Court  
 Cheshire, Connecticut 06410  
 (203) 699-1801 Fax (203) 699-1813  
 customerservice@mcguiremfg.com mcguiremfg.com

**PRODUCT SPECIFICATION**

**Part No.**

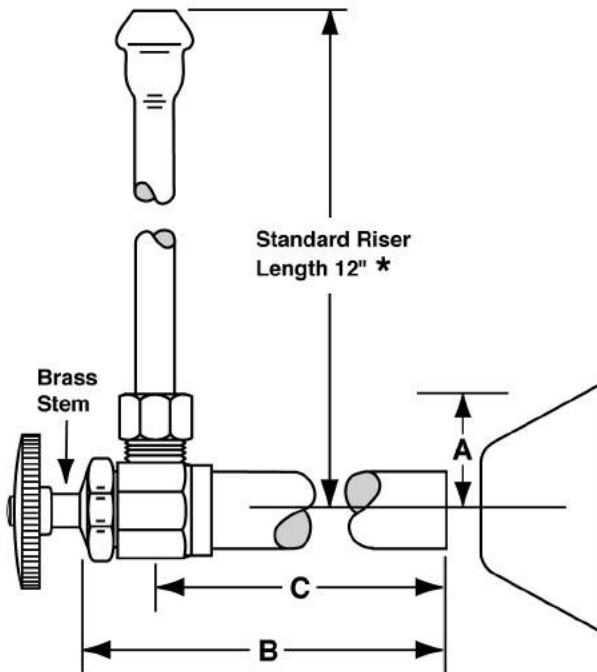
**LF170LK**

**Sweat Lavatory Supply  
 with 5" Extension**

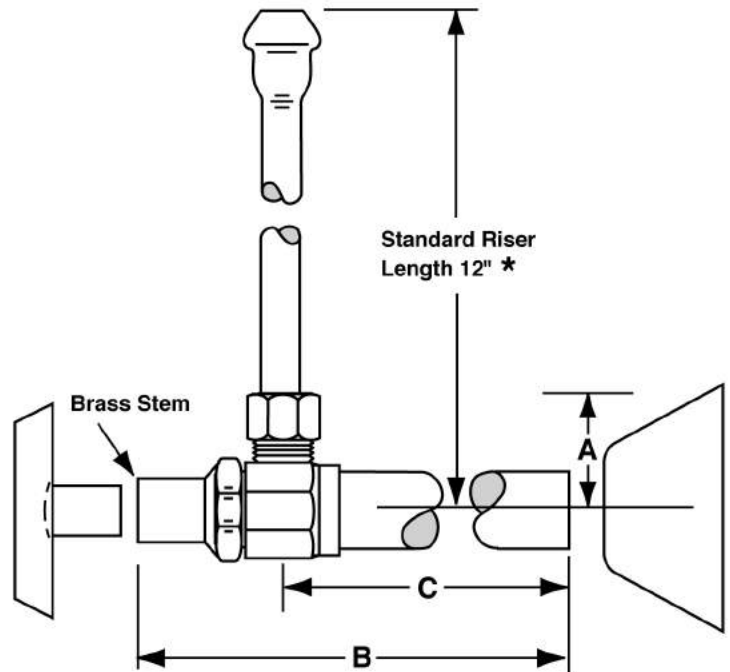
**Job Name:**

**Submittal Number:**

**Wheel Handle  
 with 5"  
 Extension Tube**



**Loose Key  
 with 5"  
 Extension Tube**



NO.	DESCRIPTION	ROUGHING MEASUREMENTS		
		A	B	C
LF170LK	1/2" Sweat x 3/8" O.D.	1"	7"	5-1/2"

**LK** designates Loose Key

\* See options and accessories section for details on product variations.



**Specifications:**

Supply kit shall include lead free chrome plated brass supply stop valves with full turn brass stem, no plastic, (12, 15, 20) inch chrome plated risers and (shallow, deep, bell) (steel, brass) or (forged brass with set screw) flange. Inlet shall be (3/8, 1/2) inch (IPS, sweat, compression). Outlet shall be (3/8, 1/2) inch (IPS, compression). Supply kit shall be McGuire \_\_\_\_\_ . Supply kit shall be certified by recognized authority and bear manufacturer and testing mark.



**WARNING:**

This product can expose you to chemicals including lead, which is known to the State of California to cause cancer, and birth defects or other reproductive harm. For more information go to [www.P65Warnings.ca.gov](http://www.P65Warnings.ca.gov).





# McGuire Manufacturing Co., Inc.

60 Grandview Court  
Cheshire, Connecticut 06410  
(203) 699-1801 Fax (203) 699-1813  
customerservice@mcguiremfg.com mcguiremfg.com

## PRODUCT SPECIFICATION

Part No.

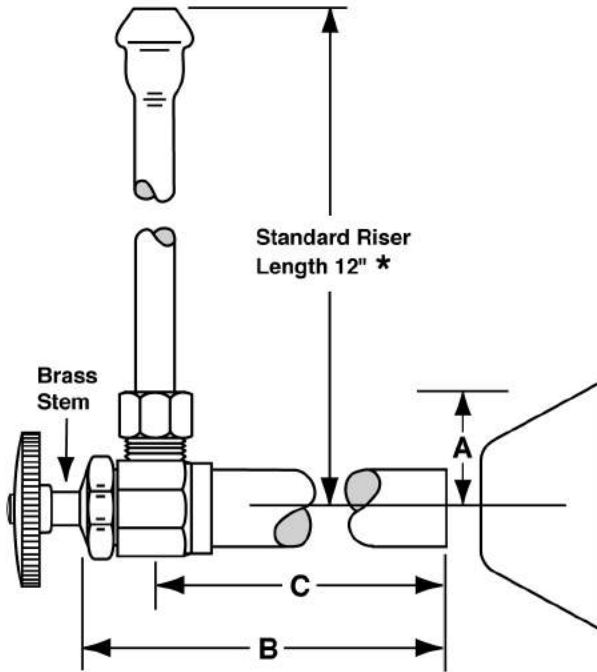
# LF170LKECO

## Sweat Lavatory Supply with 5" Extension

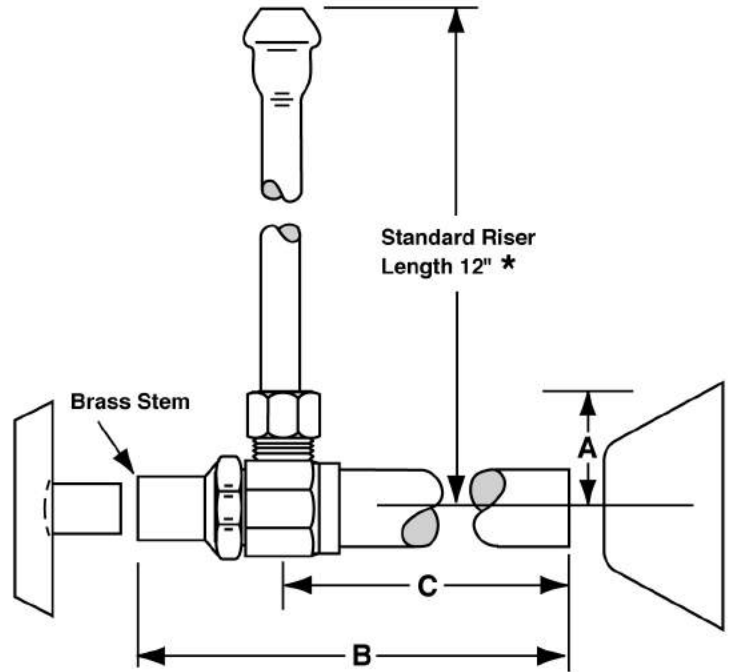
Job Name: \_\_\_\_\_

Submittal Number: \_\_\_\_\_

### Wheel Handle with 5" Extension Tube



### Loose Key with 5" Extension Tube



NO.	DESCRIPTION	ROUGHING MEASUREMENTS		
		A	B	C
LF170LKECO	1/2" Sweat x 3/8" O.D.	1"	7"	5-1/2"

- Rated Operating Pressure: 20-125 PSI
- Rated Operating Temperature: 40-140°F
- Note: 180°F max. during temporary high-temperature system flush

**LK** designates Loose Key

\* See options and accessories section for details on product variations.



## Specifications:

Supply kit shall include lead free chrome plated brass supply stop valves with full turn brass stem, no plastic, (12, 15, 20) inch chrome plated risers and (shallow, deep, bell) (steel, brass) or (forged brass with set screw) flange. Inlet shall be (3/8, 1/2) inch (IPS, sweat, compression). Outlet shall be (3/8, 1/2) inch (IPS, compression). Supply kit shall be McGuire \_\_\_\_\_. Supply kit shall be certified by recognized authority and bear manufacturer and testing mark.



### WARNING:

This product can expose you to chemicals including lead, which is known to the State of California to cause cancer, and birth defects or other reproductive harm. For more information go to [www.P65Warnings.ca.gov](http://www.P65Warnings.ca.gov).



**McGuire Manufacturing Co., Inc.**

60 Grandview Court  
 Cheshire, Connecticut 06410  
 (203) 699-1801 Fax (203) 699-1813  
 customerservice@mcguiremfg.com mcguiremfg.com

**PRODUCT SPECIFICATION**

**Part No.**

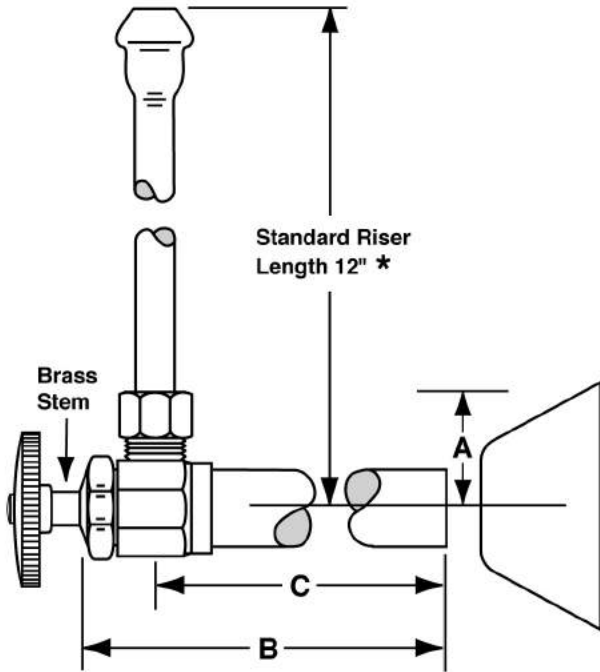
**LF171**

**Sweat Lavatory Supply  
 with 5" Extension**

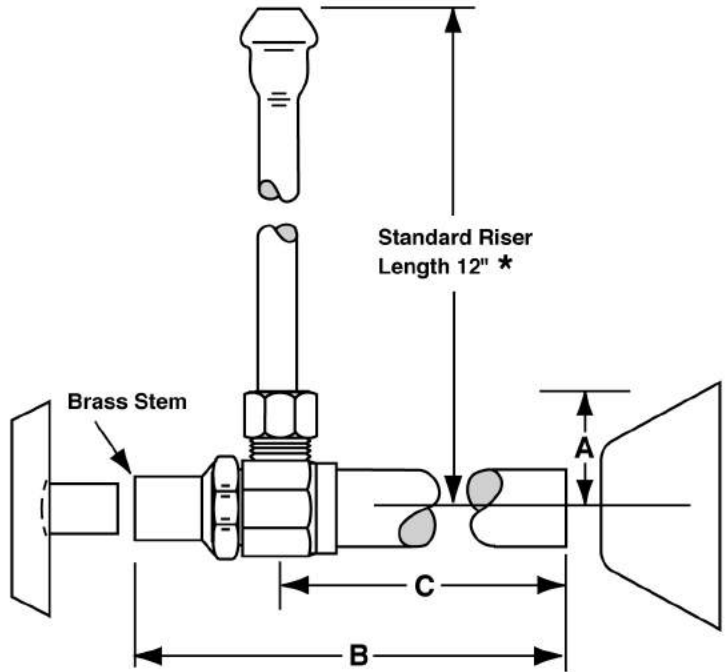
**Job Name:**

**Submittal Number:**

**Wheel Handle  
 with 5"  
 Extension Tube**



**Loose Key  
 with 5"  
 Extension Tube**



NO.	DESCRIPTION	ROUGHING MEASUREMENTS		
		A	B	C
<b>LF171</b>	1/2" Sweat x 1/2" O.D.	1"	6-1/4"	5-1/2"

**LK** designates Loose Key

\* See options and accessories section for details on product variations.



**Specifications:**

Supply kit shall include lead free chrome plated brass supply stop valves with full turn brass stem, no plastic, (12, 15, 20) inch chrome plated risers and (shallow, deep, bell) (steel, brass) or (forged brass with set screw) flange. Inlet shall be (3/8, 1/2) inch (IPS, sweat, compression). Outlet shall be (3/8, 1/2) inch (IPS, compression). Supply kit shall be McGuire \_\_\_\_\_ . Supply kit shall be certified by recognized authority and bear manufacturer and testing mark.



**WARNING:**

This product can expose you to chemicals including lead, which is known to the State of California to cause cancer, and birth defects or other reproductive harm. For more information go to [www.P65Warnings.ca.gov](http://www.P65Warnings.ca.gov).



**McGuire Manufacturing Co., Inc.**

60 Grandview Court  
 Cheshire, Connecticut 06410  
 (203) 699-1801 Fax (203) 699-1813  
 customerservice@mcguiremfg.com mcguiremfg.com

**Part No.**

**LF172**

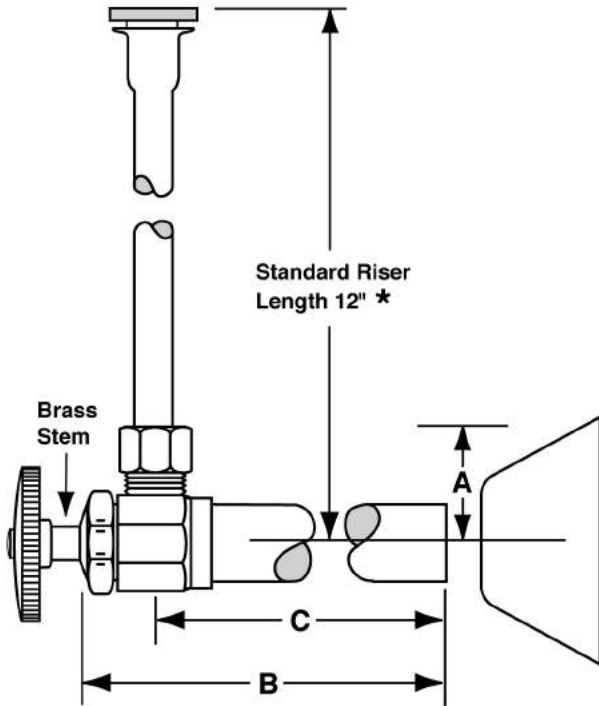
**Sweat Closet Supply  
 with 5" Extension**

**PRODUCT SPECIFICATION**

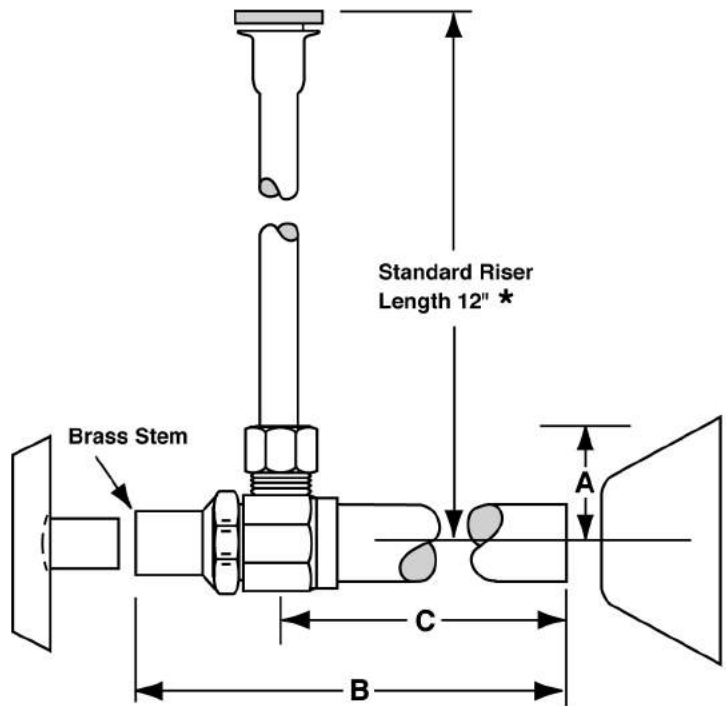
**Job Name:**

**Submittal Number:**

**Wheel Handle  
 with 5"  
 Extension Tube**



**Loose Key  
 with 5"  
 Extension Tube**



NO.	DESCRIPTION	ROUGHING MEASUREMENTS		
		A	B	C
LF172	1/2" Sweat x 3/8" O.D.	1"	6-1/4"	5-1/2"

**LK** designates Loose Key

\* See options and accessories section for details on product variations.



**Specifications:**

Supply kit shall include chrome plated lead free compliant supply stop valves with full turn brass stem, no plastic, (12, 15, 20) inch chrome plated risers and (shallow, deep, bell) (steel or brass) or (forged brass with set screw) flange. Inlet shall be (3/8, 1/2) inch (IPS, sweat, compression). Outlet shall be (3/8, 1/2) inch (IPS, compression). Supply kit shall be McGuire \_\_\_\_\_ . Supply kit shall be certified by recognized and bear manufacturer and testing mark.

**! WARNING:**

This product can expose you to chemicals including lead, which is known to the State of California to cause cancer, and birth defects or other reproductive harm. For more information go to [www.P65Warnings.ca.gov](http://www.P65Warnings.ca.gov).





**McGuire Manufacturing Co., Inc.**

60 Grandview Court  
 Cheshire, Connecticut 06410  
 (203) 699-1801 Fax (203) 699-1813  
 customerservice@mcguiremfg.com mcguiremfg.com

**Part No.**

**LF172LK**

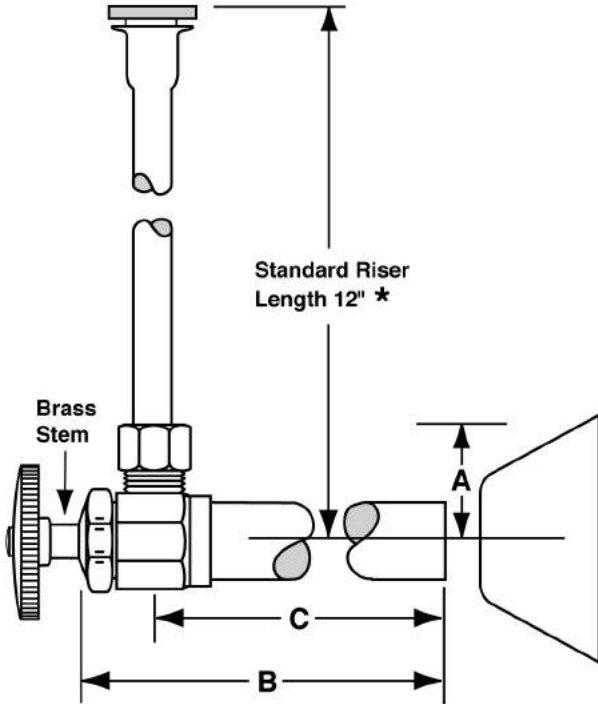
**Sweat Closet Supply  
 with 5" Extension**

**PRODUCT SPECIFICATION**

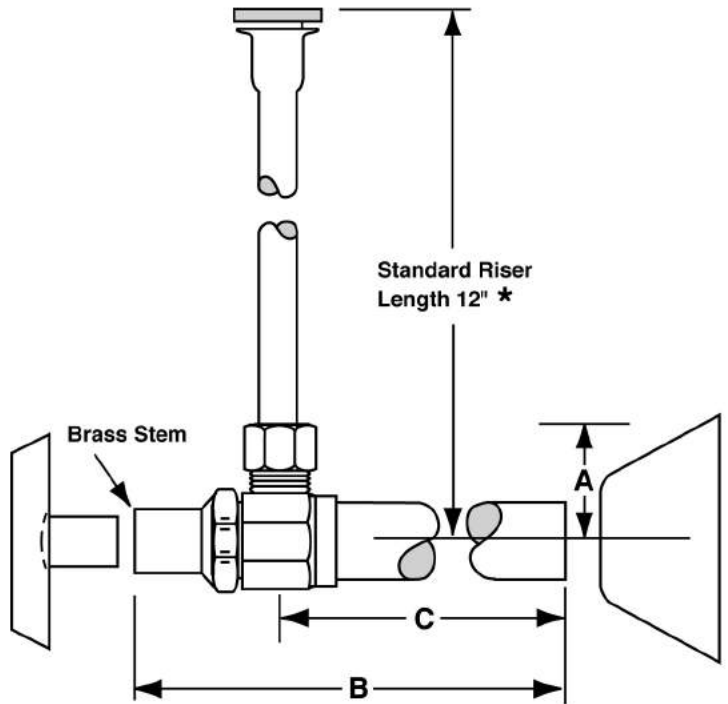
**Job Name:**

**Submittal Number:**

**Wheel Handle  
 with 5"  
 Extension Tube**



**Loose Key  
 with 5"  
 Extension Tube**



NO.	DESCRIPTION	ROUGHING MEASUREMENTS		
		A	B	C
LF172LK	1/2" Sweat x 3/8" O.D.	1"	6-1/4"	5-1/2"

**LK** designates Loose Key

\* See options and accessories section for details on product variations.



**Specifications:**

Supply kit shall include chrome plated lead free compliant supply stop valves with full turn brass stem, no plastic, (12, 15, 20) inch chrome plated risers and (shallow, deep, bell) (steel or brass) or (forged brass with set screw) flange. Inlet shall be (3/8, 1/2) inch (IPS, sweat, compression). Outlet shall be (3/8, 1/2) inch (IPS, compression). Supply kit shall be McGuire \_\_\_\_\_ . Supply kit shall be certified by recognized and bear manufacturer and testing mark.



**WARNING:**

This product can expose you to chemicals including lead, which is known to the State of California to cause cancer, and birth defects or other reproductive harm. For more information go to [www.P65Warnings.ca.gov](http://www.P65Warnings.ca.gov).



**McGuire Manufacturing Co., Inc.**

60 Grandview Court  
 Cheshire, Connecticut 06410  
 (203) 699-1801 Fax (203) 699-1813  
 customerservice@mcguiremfg.com mcguiremfg.com

**Part No.**

**LF173**

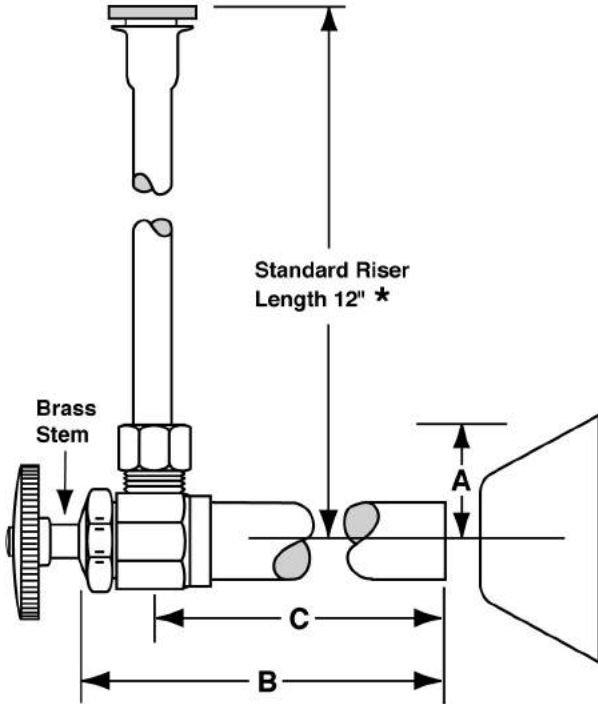
**Sweat Closet Supply  
 with 5" Extension**

**PRODUCT SPECIFICATION**

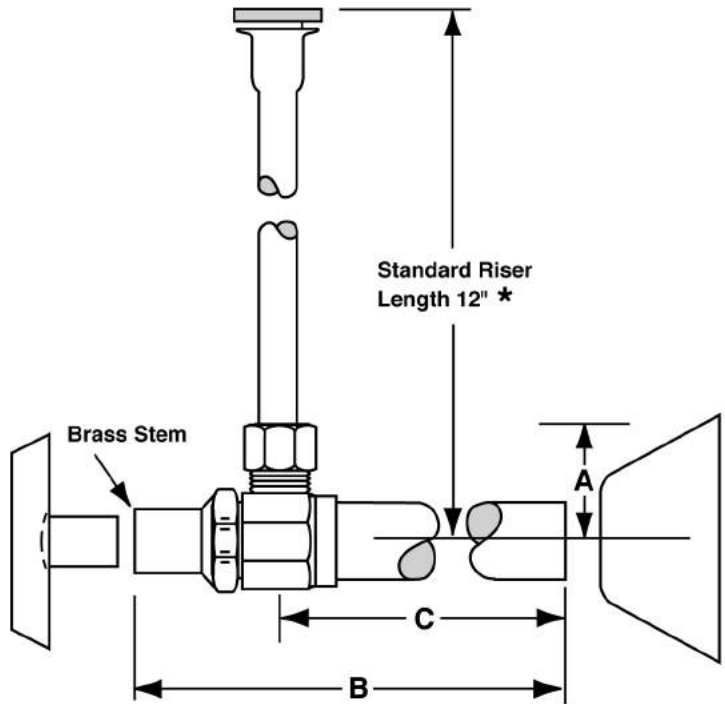
**Job Name:**

**Submittal Number:**

**Wheel Handle  
 with 5"  
 Extension Tube**



**Loose Key  
 with 5"  
 Extension Tube**



NO.	DESCRIPTION	ROUGHING MEASUREMENTS		
		A	B	C
<b>LF173</b>	1/2" Sweat x 1/2" O.D.	1"	6-1/4"	5-1/2"

**LK** designates Loose Key

\* See options and accessories section for details on product variations.



**Specifications:**

Supply kit shall include chrome plated lead free compliant supply stop valves with full turn brass stem, no plastic, (12, 15, 20) inch chrome plated risers and (shallow, deep, bell) (steel or brass) or (forged brass with set screw) flange. Inlet shall be (3/8, 1/2) inch (IPS, sweat, compression). Outlet shall be (3/8, 1/2) inch (IPS, compression). Supply kit shall be McGuire \_\_\_\_\_ . Supply kit shall be certified by recognized and bear manufacturer and testing mark.

**! WARNING:**

This product can expose you to chemicals including lead, which is known to the State of California to cause cancer, and birth defects or other reproductive harm. For more information go to [www.P65Warnings.ca.gov](http://www.P65Warnings.ca.gov).



**McGuire Manufacturing Co., Inc.**

60 Grandview Court  
 Cheshire, Connecticut 06410  
 (203) 699-1801 Fax (203) 699-1813  
 customerservice@mcguiremfg.com mcguiremfg.com

**Part No.**

**LF173LK**

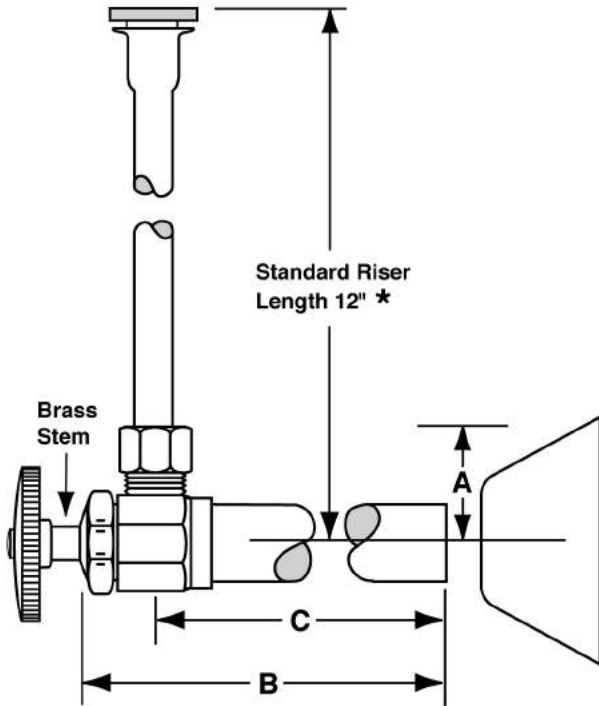
**Sweat Closet Supply  
 with 5" Extension**

**PRODUCT SPECIFICATION**

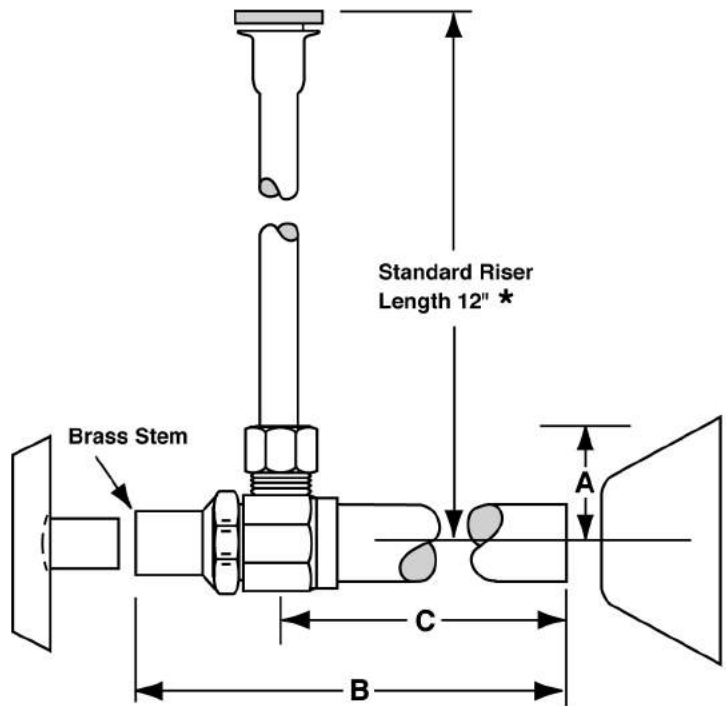
**Job Name:**

**Submittal Number:**

**Wheel Handle  
 with 5"  
 Extension Tube**



**Loose Key  
 with 5"  
 Extension Tube**



NO.	DESCRIPTION	ROUGHING MEASUREMENTS		
		A	B	C
LF173LK	1/2" Sweat x 1/2" O.D.	1"	7"	5-1/2"

**LK** designates Loose Key

\* See options and accessories section for details on product variations.



**Specifications:**

Supply kit shall include chrome plated lead free compliant supply stop valves with full turn brass stem, no plastic, (12, 15, 20) inch chrome plated risers and (shallow, deep, bell) (steel or brass) or (forged brass with set screw) flange. Inlet shall be (3/8, 1/2) inch (IPS, sweat, compression). Outlet shall be (3/8, 1/2) inch (IPS, compression). Supply kit shall be McGuire \_\_\_\_\_ . Supply kit shall be certified by recognized and bear manufacturer and testing mark.



**WARNING:**

This product can expose you to chemicals including lead, which is known to the State of California to cause cancer, and birth defects or other reproductive harm. For more information go to [www.P65Warnings.ca.gov](http://www.P65Warnings.ca.gov).



**McGuire Manufacturing Co., Inc.**

60 Grandview Court  
 Cheshire, Connecticut 06410  
 (203) 699-1801 Fax (203) 699-1813  
 customerservice@mcguiremfg.com mcguiremfg.com

**PRODUCT SPECIFICATION**

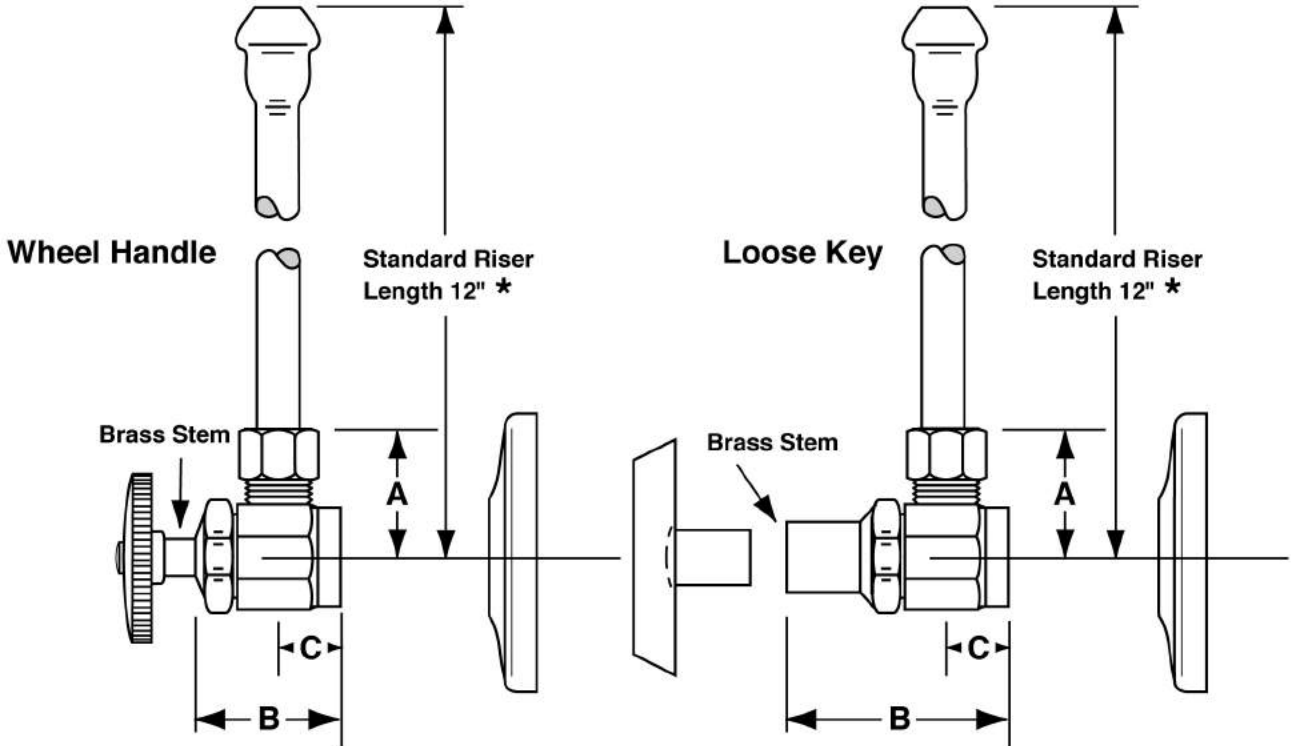
**Part No.**

**LF175**

**Sweat Lavatory Supply**

**Job Name:**

**Submittal Number:**



NO.	DESCRIPTION	ROUGHING MEASUREMENTS		
		A	B	C
LF175	1/2" Sweat x 3/8" O.D.	1"	1-1/2"	3/4"

LK designates Loose Key

\* See options and accessories section for details on product variations.



**Specifications:**

Supply kit shall include lead free chrome plated brass supply stop valves with full turn brass stem, no plastic, (12, 15, 20) inch chrome plated risers and (shallow, deep, bell) (steel, brass) or (forged brass with set screw) flange. Inlet shall be (3/8, 1/2) inch (IPS, sweat, compression). Outlet shall be (3/8, 1/2) inch (IPS, compression). Supply kit shall be McGuire \_\_\_\_\_ . Supply kit shall be certified by recognized authority and bear manufacturer and testing mark.



**WARNING:**

This product can expose you to chemicals including lead, which is known to the State of California to cause cancer, and birth defects or other reproductive harm. For more information go to [www.P65Warnings.ca.gov](http://www.P65Warnings.ca.gov).





**McGuire Manufacturing Co., Inc.**

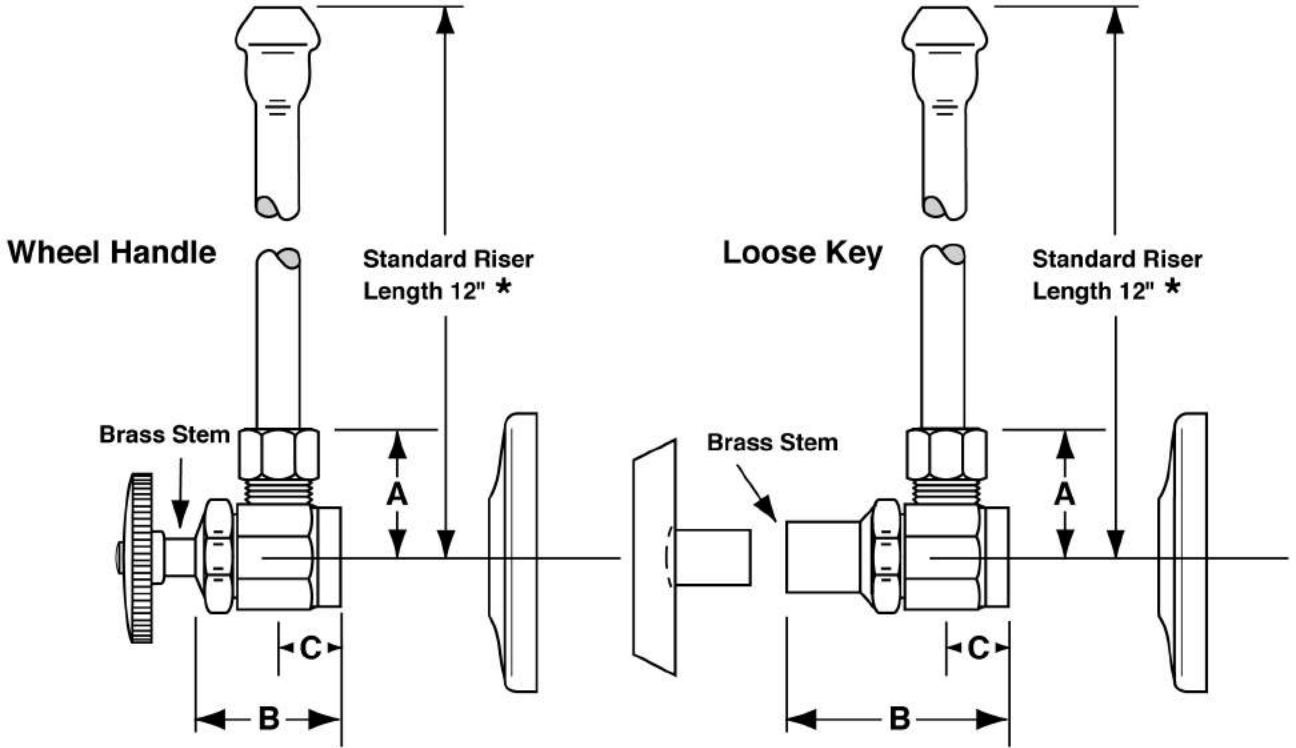
60 Grandview Court  
 Cheshire, Connecticut 06410  
 (203) 699-1801 Fax (203) 699-1813  
 customerservice@mcguiremfg.com mcguiremfg.com

**Part No.**  
**LF175LK**  
**Sweat Lavatory Supply**

**PRODUCT SPECIFICATION**

**Job Name:** \_\_\_\_\_

**Submittal Number:** \_\_\_\_\_



NO.	DESCRIPTION	ROUGHING MEASUREMENTS		
		A	B	C
LF175LK	1/2" Sweat x 3/8" O.D.	1"	2-1/4"	3/4"

**LK** designates Loose Key

\* See options and accessories section for details on product variations.



**Specifications:**

Supply kit shall include lead free chrome plated brass supply stop valves with full turn brass stem, no plastic, (12, 15, 20) inch chrome plated risers and (shallow, deep, bell) (steel, brass) or (forged brass with set screw) flange. Inlet shall be (3/8, 1/2) inch (IPS, sweat, compression). Outlet shall be (3/8, 1/2) inch (IPS, compression). Supply kit shall be McGuire \_\_\_\_\_ . Supply kit shall be certified by recognized authority and bear manufacturer and testing mark.



**WARNING:**

This product can expose you to chemicals including lead, which is known to the State of California to cause cancer, and birth defects or other reproductive harm. For more information go to [www.P65Warnings.ca.gov](http://www.P65Warnings.ca.gov).



**McGuire Manufacturing Co., Inc.**

60 Grandview Court  
 Cheshire, Connecticut 06410  
 (203) 699-1801 Fax (203) 699-1813  
 customerservice@mcguiremfg.com mcguiremfg.com

**PRODUCT SPECIFICATION**

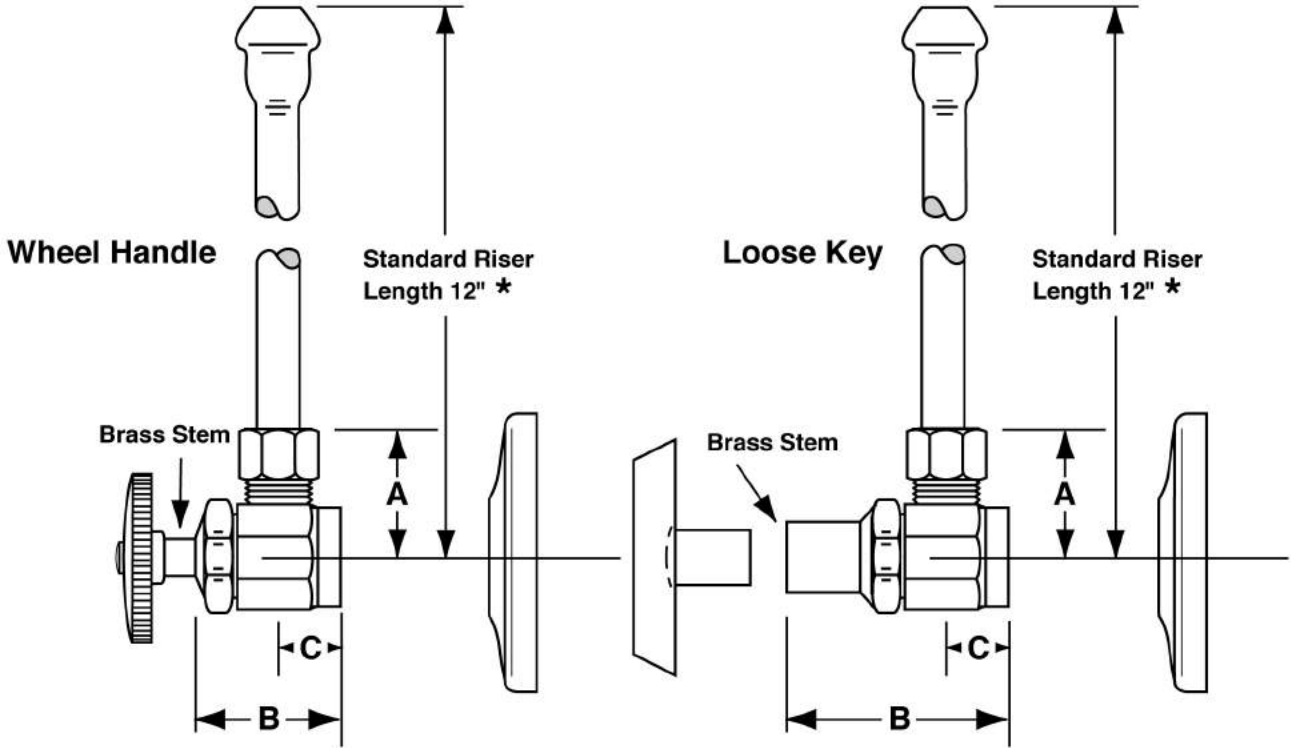
**Part No.**

**LF177**

**Sweat Lavatory Supply**

**Job Name:**

**Submittal Number:**



NO.	DESCRIPTION	ROUGHING MEASUREMENTS		
		A	B	C
LF177	1/2" Sweat x 1/2" O.D.	1"	1-1/2"	3/4"

LK designates Loose Key

\* See options and accessories section for details on product variations.



**Specifications:**

Supply kit shall include lead free chrome plated brass supply stop valves with full turn brass stem, no plastic, (12, 15, 20) inch chrome plated risers and (shallow, deep, bell) (steel, brass) or (forged brass with set screw) flange. Inlet shall be (3/8, 1/2) inch (IPS, sweat, compression). Outlet shall be (3/8, 1/2) inch (IPS, compression). Supply kit shall be McGuire \_\_\_\_\_ . Supply kit shall be certified by recognized authority and bear manufacturer and testing mark.



**WARNING:**

This product can expose you to chemicals including lead, which is known to the State of California to cause cancer, and birth defects or other reproductive harm. For more information go to [www.P65Warnings.ca.gov](http://www.P65Warnings.ca.gov).





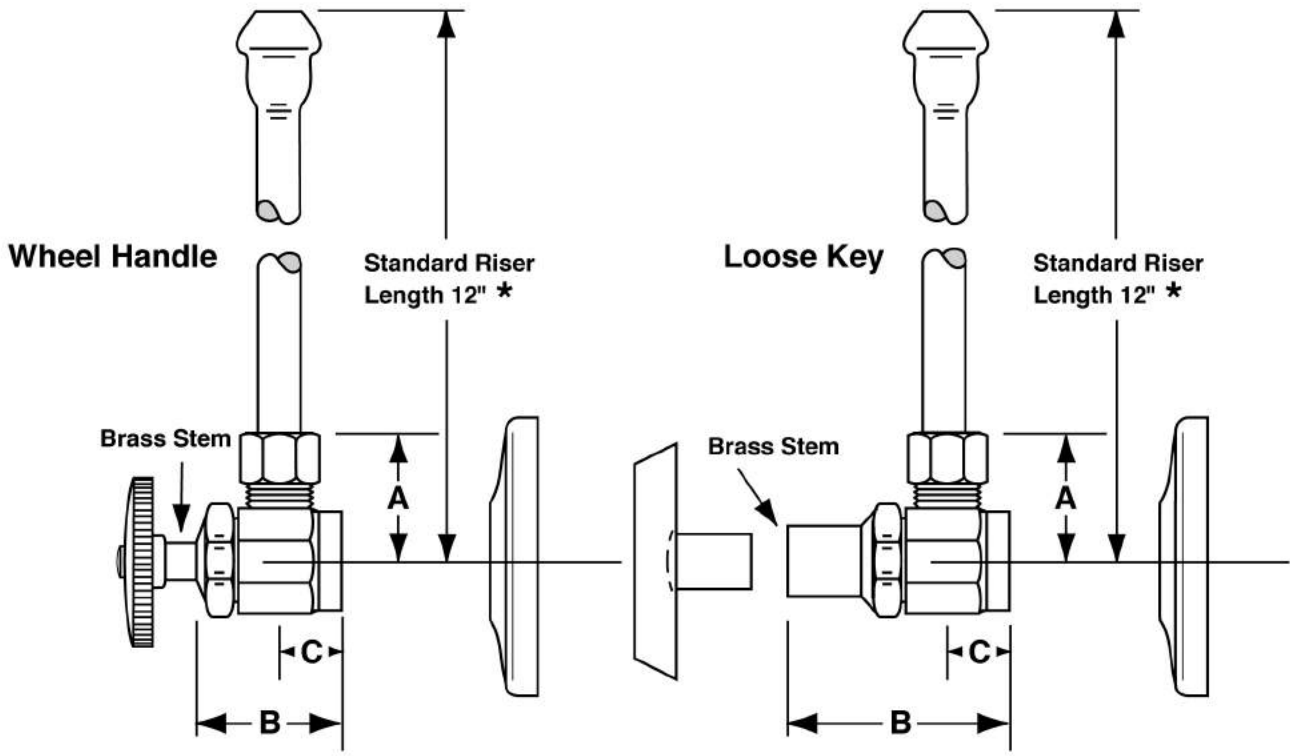
**McGuire Manufacturing Co., Inc.**

60 Grandview Court  
 Cheshire, Connecticut 06410  
 (203) 699-1801 Fax (203) 699-1813  
 customerservice@mcguiremfg.com mcguiremfg.com

<b>Part No.</b>
<b>LF177LK</b>
<b>Sweat Lavatory Supply</b>

**PRODUCT SPECIFICATION**

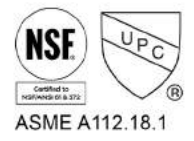
**Job Name:** \_\_\_\_\_ **Submittal Number:** \_\_\_\_\_



NO.	DESCRIPTION	ROUGHING MEASUREMENTS		
		A	B	C
LF177LK	1/2" Sweat x 1/2" O.D.	1"	2-1/4"	3/4"

LK designates Loose Key

\* See options and accessories section for details on product variations.



**Specifications:**

Supply kit shall include lead free chrome plated brass supply stop valves with full turn brass stem, no plastic, (12, 15, 20) inch chrome plated risers and (shallow, deep, bell) (steel, brass) or (forged brass with set screw) flange. Inlet shall be (3/8, 1/2) inch (IPS, sweat, compression). Outlet shall be (3/8, 1/2) inch (IPS, compression). Supply kit shall be McGuire \_\_\_\_\_ . Supply kit shall be certified by recognized authority and bear manufacturer and testing mark.

**WARNING:**

This product can expose you to chemicals including lead, which is known to the State of California to cause cancer, and birth defects or other reproductive harm. For more information go to [www.P65Warnings.ca.gov](http://www.P65Warnings.ca.gov).



**McGuire Manufacturing Co., Inc.**

60 Grandview Court  
 Cheshire, Connecticut 06410  
 (203) 699-1801 Fax (203) 699-1813  
 customerservice@mcguiremfg.com mcguiremfg.com

**PRODUCT SPECIFICATION**

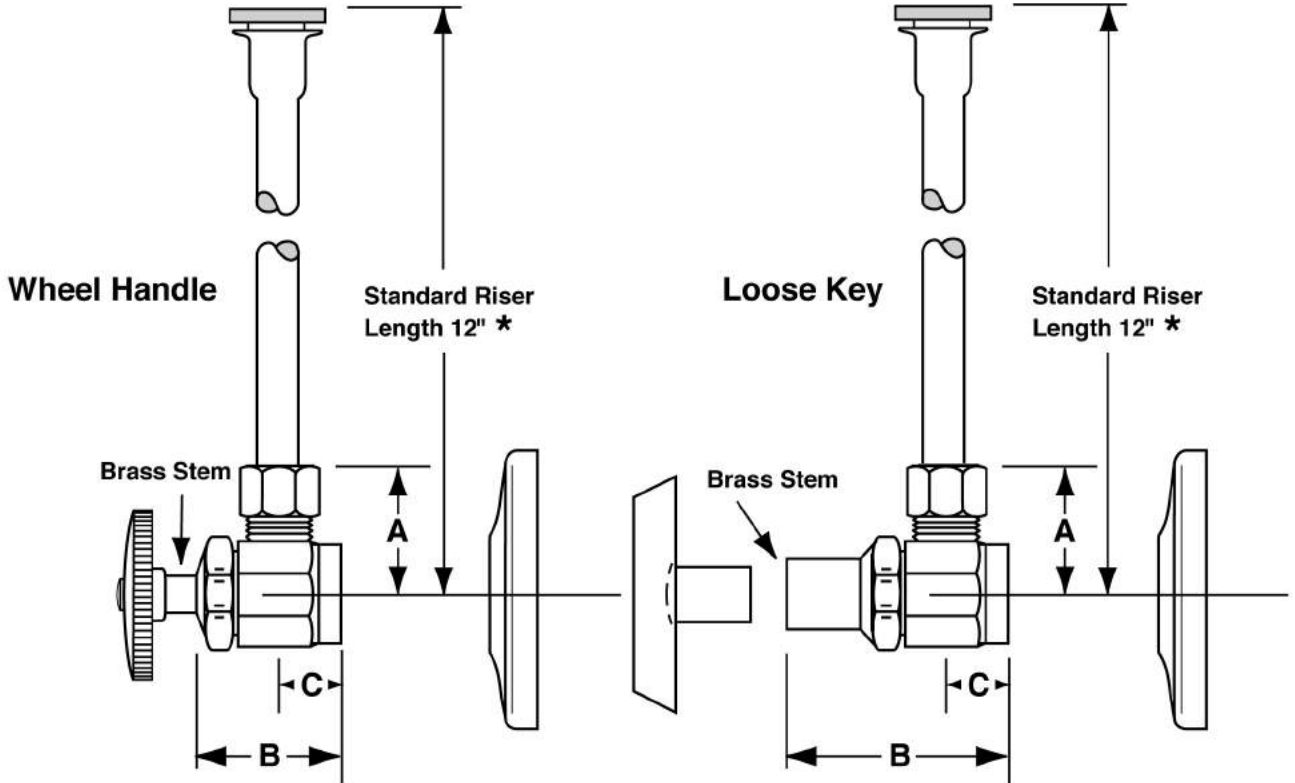
**Part No.**

**LF185**

**Sweat Closet Supply**

**Job Name:**

**Submittal Number:**



NO.	DESCRIPTION	ROUGHING MEASUREMENTS		
		A	B	C
LF185	1/2" Sweat x 3/8" O.D.	1"	1-1/2"	3/4"

**LK** designates Loose Key

\* See options and accessories section for details on product variations.



**Specifications:**

Supply kit shall include lead free chrome plated brass supply stop valves with full turn brass stem, no plastic, (12, 15, 20) inch chrome plated risers and (shallow, deep, bell) (steel, brass) or (forged brass with set screw) flange. Inlet shall be (3/8, 1/2) inch (IPS, sweat, compression). Outlet shall be (3/8, 1/2) inch (IPS, compression). Supply kit shall be McGuire \_\_\_\_\_ . Supply kit shall be certified by recognized authority and bear manufacturer and testing mark.



**WARNING:**

This product can expose you to chemicals including lead, which is known to the State of California to cause cancer, and birth defects or other reproductive harm. For more information go to [www.P65Warnings.ca.gov](http://www.P65Warnings.ca.gov).



# McGuire Manufacturing Co., Inc.

60 Grandview Court  
Cheshire, Connecticut 06410  
(203) 699-1801 Fax (203) 699-1813  
customerservice@mcguiremfg.com mcguiremfg.com

## PRODUCT SPECIFICATION

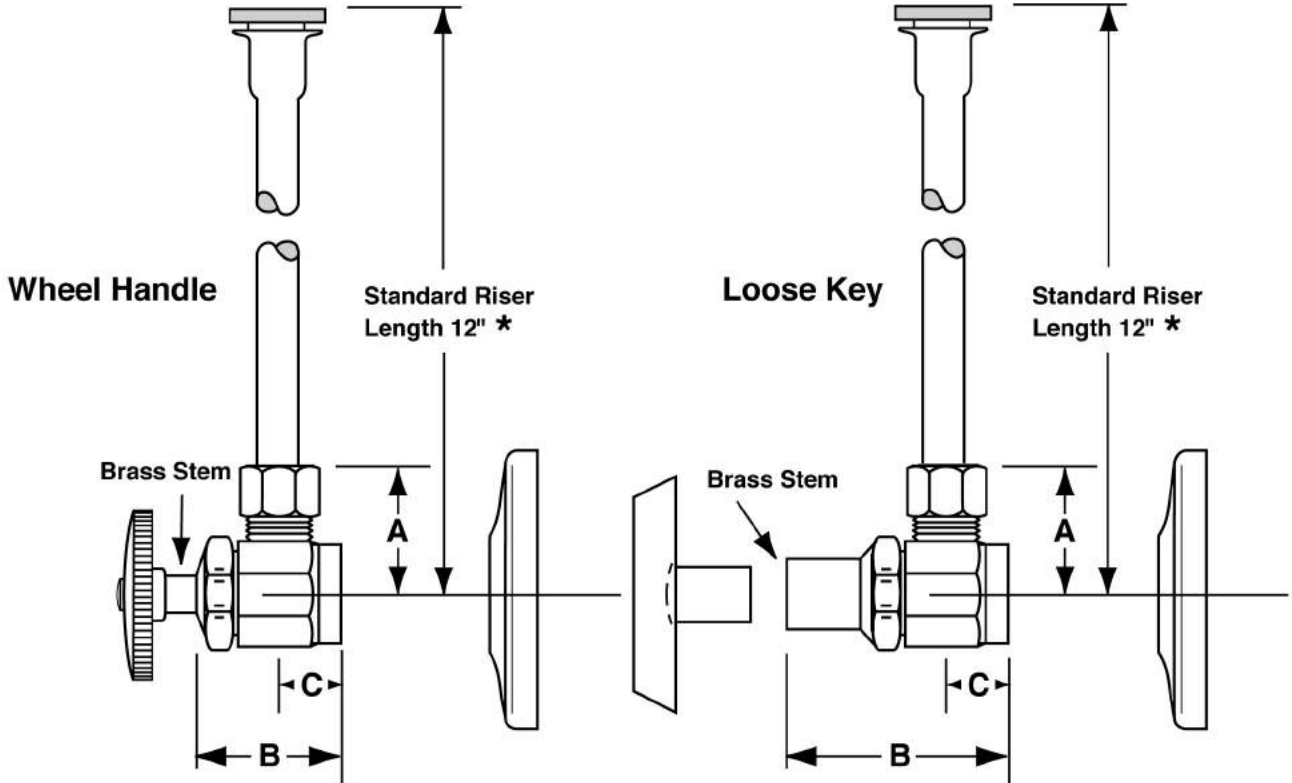
Part No.

# LF185LK

## Sweat Closet Supply

Job Name:

Submittal Number:



NO.	DESCRIPTION	ROUGHING MEASUREMENTS		
		A	B	C
LF185LK	1/2" Sweat x 3/8" O.D.	1"	2-1/4"	3/4"

LK designates Loose Key

\* See options and accessories section for details on product variations.



## Specifications:

Supply kit shall include lead free chrome plated brass supply stop valves with full turn brass stem, no plastic, (12, 15, 20) inch chrome plated risers and (shallow, deep, bell) (steel, brass) or (forged brass with set screw) flange. Inlet shall be (3/8, 1/2) inch (IPS, sweat, compression). Outlet shall be (3/8, 1/2) inch (IPS, compression). Supply kit shall be McGuire \_\_\_\_\_ . Supply kit shall be certified by recognized authority and bear manufacturer and testing mark.



### WARNING:

This product can expose you to chemicals including lead, which is known to the State of California to cause cancer, and birth defects or other reproductive harm. For more information go to [www.P65Warnings.ca.gov](http://www.P65Warnings.ca.gov).



**McGuire Manufacturing Co., Inc.**

60 Grandview Court  
 Cheshire, Connecticut 06410  
 (203) 699-1801 Fax (203) 699-1813  
 customerservice@mcguiremfg.com mcguiremfg.com

**PRODUCT SPECIFICATION**

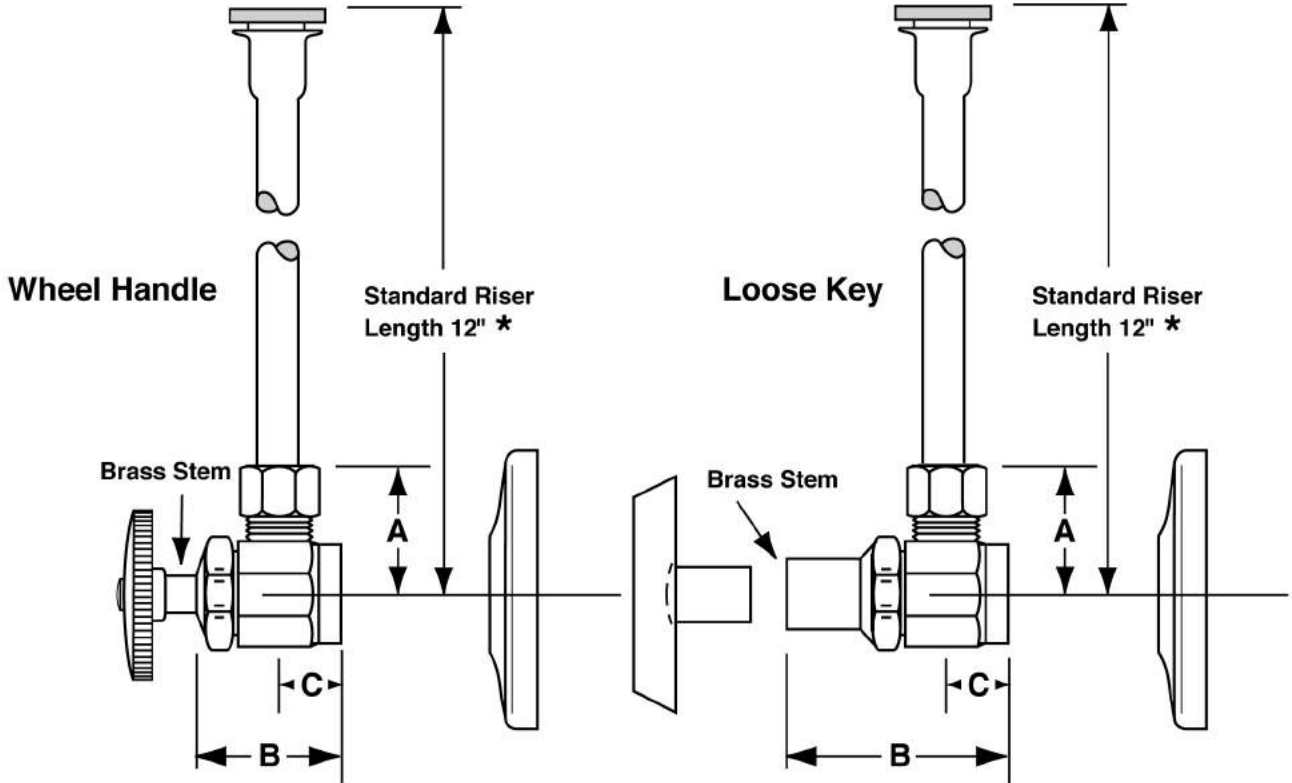
**Part No.**

**LF187**

**Sweat Closet Supply**

**Job Name:**

**Submittal Number:**



NO.	DESCRIPTION	ROUGHING MEASUREMENTS		
		A	B	C
<b>LF187</b>	1/2" Sweat x 1/2" O.D.	1"	1-1/2"	3/4"

**LK** designates Loose Key

\* See options and accessories section for details on product variations.



**Specifications:**

Supply kit shall include lead free chrome plated brass supply stop valves with full turn brass stem, no plastic, (12, 15, 20) inch chrome plated risers and (shallow, deep, bell) (steel, brass) or (forged brass with set screw) flange. Inlet shall be (3/8, 1/2) inch (IPS, sweat, compression). Outlet shall be (3/8, 1/2) inch (IPS, compression). Supply kit shall be McGuire \_\_\_\_\_ . Supply kit shall be certified by recognized authority and bear manufacturer and testing mark.



**WARNING:**  
 This product can expose you to chemicals including lead, which is known to the State of California to cause cancer, and birth defects or other reproductive harm. For more information go to [www.P65Warnings.ca.gov](http://www.P65Warnings.ca.gov).





**McGuire Manufacturing Co., Inc.**

60 Grandview Court  
 Cheshire, Connecticut 06410  
 (203) 699-1801 Fax (203) 699-1813  
 customerservice@mcguiremfg.com mcguiremfg.com

**PRODUCT SPECIFICATION**

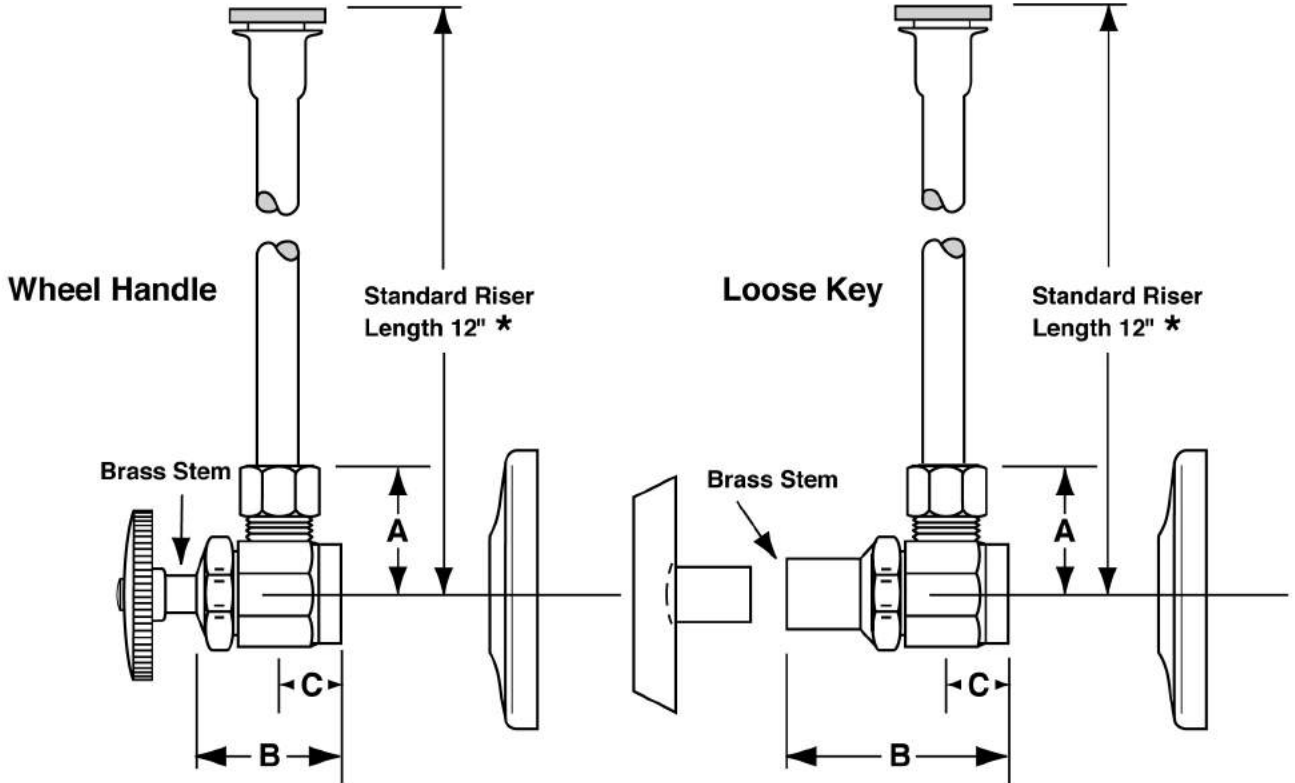
**Part No.**

**LF187LK**

**Sweat Closet Supply**

**Job Name:**

**Submittal Number:**



NO.	DESCRIPTION	ROUGHING MEASUREMENTS		
		A	B	C
LF187LK	1/2" Sweat x 1/2" O.D.	1"	2-1/4"	3/4"

**LK** designates Loose Key

\* See options and accessories section for details on product variations.



**Specifications:**

Supply kit shall include lead free chrome plated brass supply stop valves with full turn brass stem, no plastic, (12, 15, 20) inch chrome plated risers and (shallow, deep, bell) (steel, brass) or (forged brass with set screw) flange. Inlet shall be (3/8, 1/2) inch (IPS, sweat, compression). Outlet shall be (3/8, 1/2) inch (IPS, compression). Supply kit shall be McGuire \_\_\_\_\_ . Supply kit shall be certified by recognized authority and bear manufacturer and testing mark.



**WARNING:**  
 This product can expose you to chemicals including lead, which is known to the State of California to cause cancer, and birth defects or other reproductive harm. For more information go to [www.P65Warnings.ca.gov](http://www.P65Warnings.ca.gov).



# McGuire Manufacturing Co., Inc.

60 Grandview Court  
 Cheshire, Connecticut 06410  
 (203) 699-1801 Fax (203) 699-1813  
 customerservice@mcguiremfg.com mcguiremfg.com

## PRODUCT SPECIFICATION

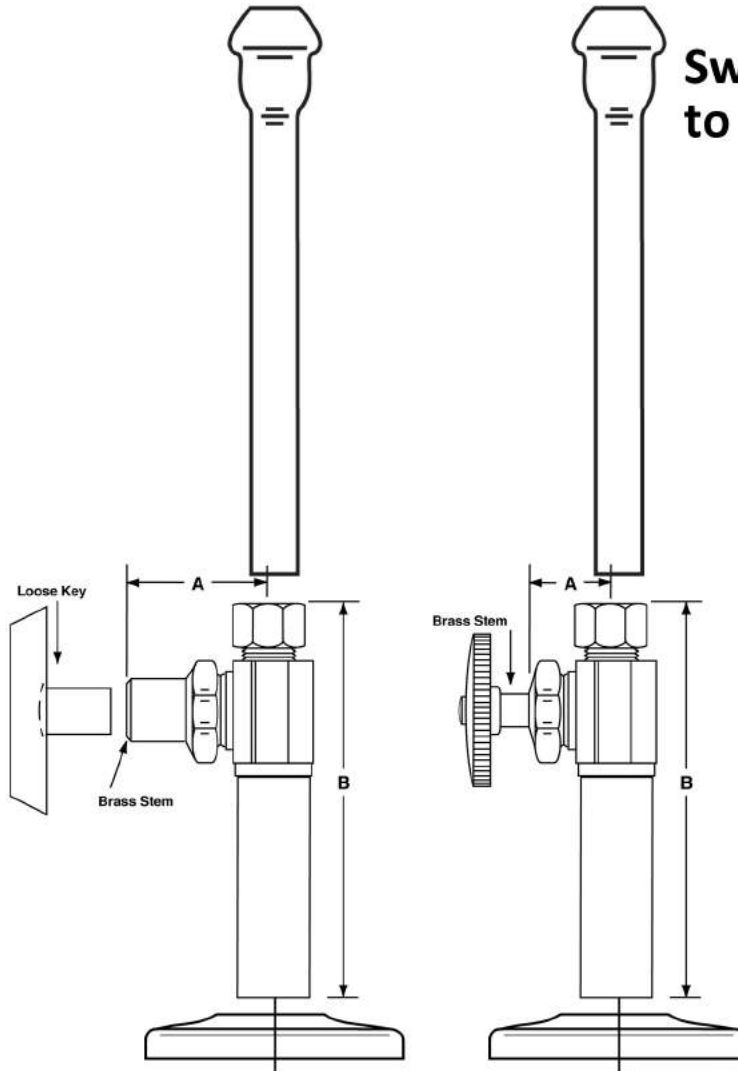
**Part No.**

**LF270**

**Straight Lavatory Supply Kit**  
 Sweat w/5" ext. x OD

**Job Name:**

**Submittal Number:**



**Sweat w/ 5" Extension to Compression**

Model No.	Description	Roughing Measurements	
		A	B
LF270	1/2" Copper Sweat w/ 5" Ext x 3/8 OD STD	7/8"	6-5/8"

**LK** designates *Loose Key*

See options and accessories section for details on product variations.



## Specifications:

Supply kit shall include lead free chrome plated supply brass stop valves with full turn brass stem, no plastic, (12) inch chrome plated risers and (shallow) (steel) flange. Inlet shall be (1/2) inch copper sweat with 5" extension. Outlet shall be (3/8) inch OD. Supply kit shall be McGuire \_\_\_\_\_ . Supply kit shall be certified by recognized authority and bear manufacturer and testing mark.



### WARNING:

This product can expose you to chemicals including lead, which is known to the State of California to cause cancer, and birth defects or other reproductive harm. For more information go to [www.P65Warnings.ca.gov](http://www.P65Warnings.ca.gov).



# McGuire Manufacturing Co., Inc.

60 Grandview Court  
Cheshire, Connecticut 06410  
(203) 699-1801 Fax (203) 699-1813  
customerservice@mcguiremfg.com mcguiremfg.com

## PRODUCT SPECIFICATION

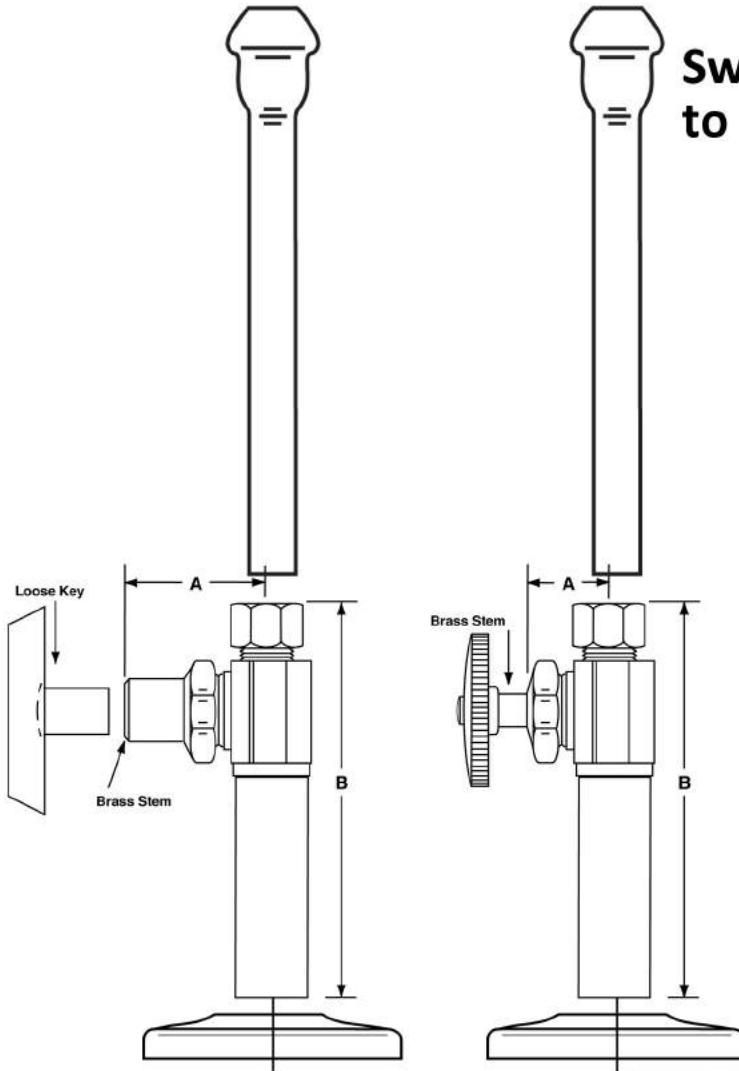
Part No.

# LF270LK

Straight Lavatory Supply Kit  
Sweat w/5" ext. x OD

Job Name:

Submittal Number:



### Sweat w/ 5" Extension to Compression

Model No.	Description	Roughing Measurements	
		A	B
LF270LK	1/2" Copper Sweat w/ 5" Ext x 3/8 OD STD LK	1-1/2"	6-5/8"

**LK** designates *Loose Key*

See options and accessories section for details on product variations.



## Specifications:

Supply kit shall include lead free chrome plated supply brass stop valves with full turn brass stem, no plastic, (12) inch chrome plated risers and (shallow) (steel) flange. Inlet shall be (1/2) inch copper sweat with 5" extension. Outlet shall be (3/8) inch OD. Supply kit shall be McGuire \_\_\_\_\_ . Supply kit shall be certified by recognized authority and bear manufacturer and testing mark.



### WARNING:

This product can expose you to chemicals including lead, which is known to the State of California to cause cancer, and birth defects or other reproductive harm. For more information go to [www.P65Warnings.ca.gov](http://www.P65Warnings.ca.gov).



**McGuire Manufacturing Co., Inc.**

60 Grandview Court  
 Cheshire, Connecticut 06410  
 (203) 699-1801 Fax (203) 699-1813  
 customerservice@mcguiremfg.com mcguiremfg.com

**PRODUCT SPECIFICATION**

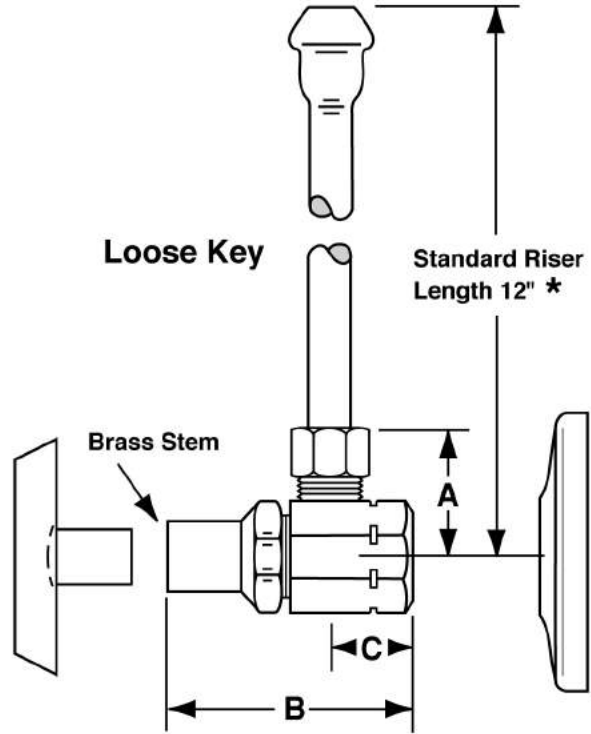
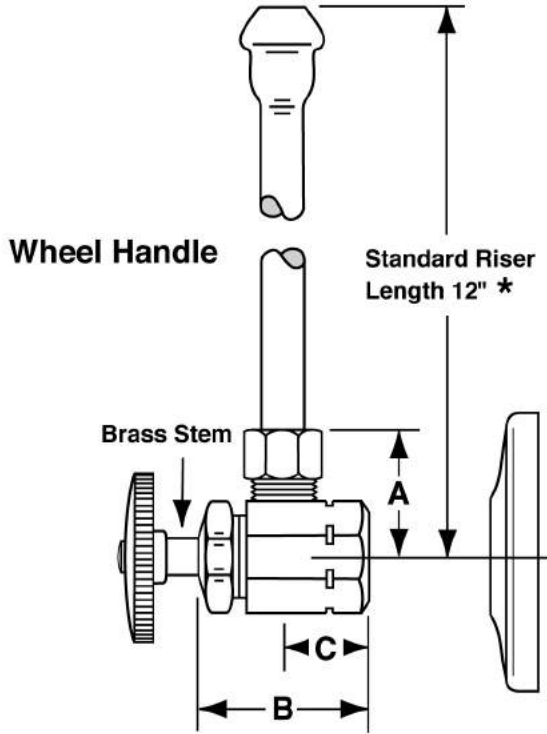
**Part No.**

**LF2165**

**Lavatory Supply  
 1/2" I.P.S. x O.D.**

**Job Name:**

**Submittal Number:**



NO.	DESCRIPTION	ROUGHING MEASUREMENTS		
		A	B	C
<b>LF2165</b>	1/2" I.P.S. x 3/8" O.D.	1-3/16"	1-1/2"	3/4"

**LK** designates Loose Key

\* See options and accessories section for details on product variations.



**Specifications:**

Supply kit shall include lead free chrome plated brass supply stop valves with full turn brass stem, no plastic, (12, 15, 20) inch chrome plated risers and (shallow, deep, bell) (steel, brass) or (forged brass with set screw) flange. Inlet shall be (3/8, 1/2) inch (IPS, compression). Outlet shall be (3/8, 1/2) inch compression. Supply kit shall be McGuire \_\_\_\_\_ . Supply kit shall be certified by recognized authority and bear manufacturer and testing mark.



**WARNING:**

This product can expose you to chemicals including lead, which is known to the State of California to cause cancer, and birth defects or other reproductive harm. For more information go to [www.P65Warnings.ca.gov](http://www.P65Warnings.ca.gov).





# McGuire Manufacturing Co., Inc.

60 Grandview Court  
 Cheshire, Connecticut 06410  
 (203) 699-1801 Fax (203) 699-1813  
 customerservice@mcguiremfg.com mcguiremfg.com

## PRODUCT SPECIFICATION

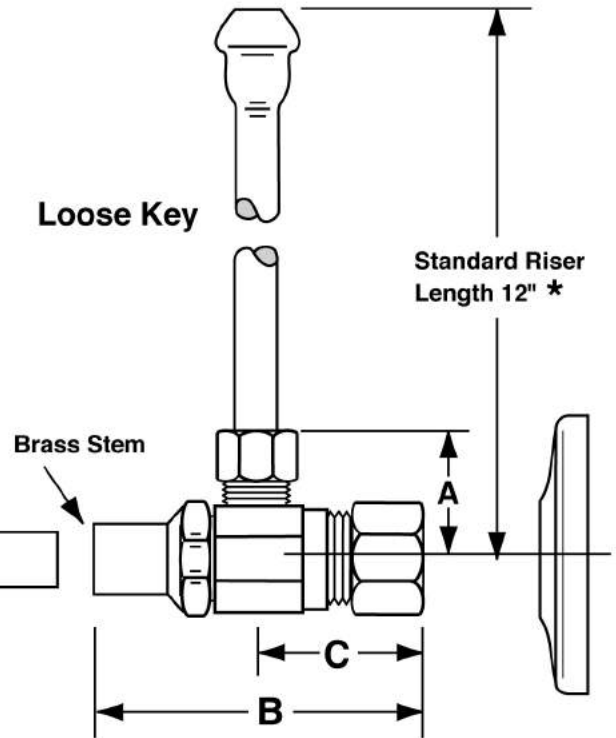
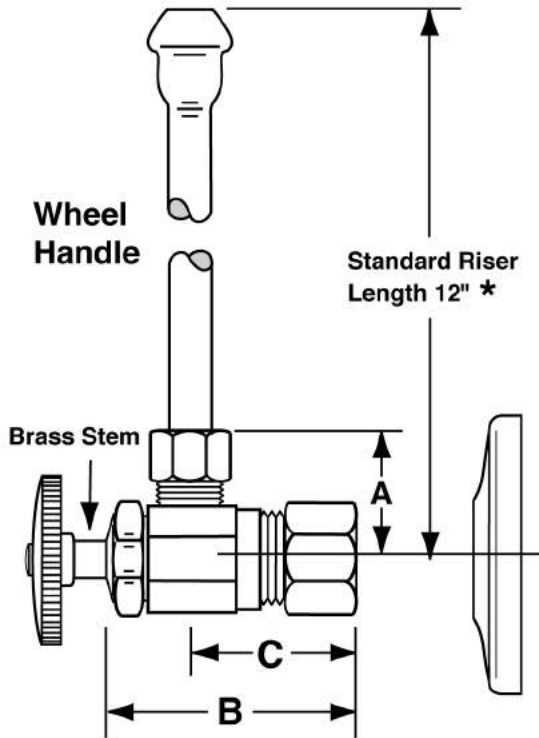
Part No.

**LF2165CC**

**Compression x Compression  
 Lavatory Supply**

**Job Name:**

**Submittal Number:**



NO.	DESCRIPTION	ROUGHING MEASUREMENTS		
		A	B	C
LF2165CC	1/2" Nominal x 3/8" O.D.	1"	1-3/4"	1"

- Rated Operating Pressure: 20-125 PSI
- Rated Operating Temperature: 40-140°F
- Note: 180°F max. during temporary high-temperature system flush



**LK** designates Loose Key

★ See options and accessories section for details on product variations.

## Specifications:

Supply kit shall include lead free chrome plated supply brass stop valves with full turn brass stem, no plastic, (12, 15, 20) inch chrome plated risers and (shallow, deep, bell) (steel, brass) or (forged brass with set screw) flange. Inlet shall be (3/8, 1/2) inch IPS. Outlet shall be (3/8, 1/2) inch (IPS, compression). Supply kit shall be McGuire \_\_\_\_\_ . Supply kit shall be certified by recognized authority and bear manufacturer and testing mark.



**WARNING:**  
 This product can expose you to chemicals including lead, which is known to the State of California to cause cancer, and birth defects or other reproductive harm. For more information go to [www.P65Warnings.ca.gov](http://www.P65Warnings.ca.gov).



# McGuire Manufacturing Co., Inc.

60 Grandview Court  
 Cheshire, Connecticut 06410  
 (203) 699-1801 Fax (203) 699-1813  
 customerservice@mcguiremfg.com mcguiremfg.com

## PRODUCT SPECIFICATION

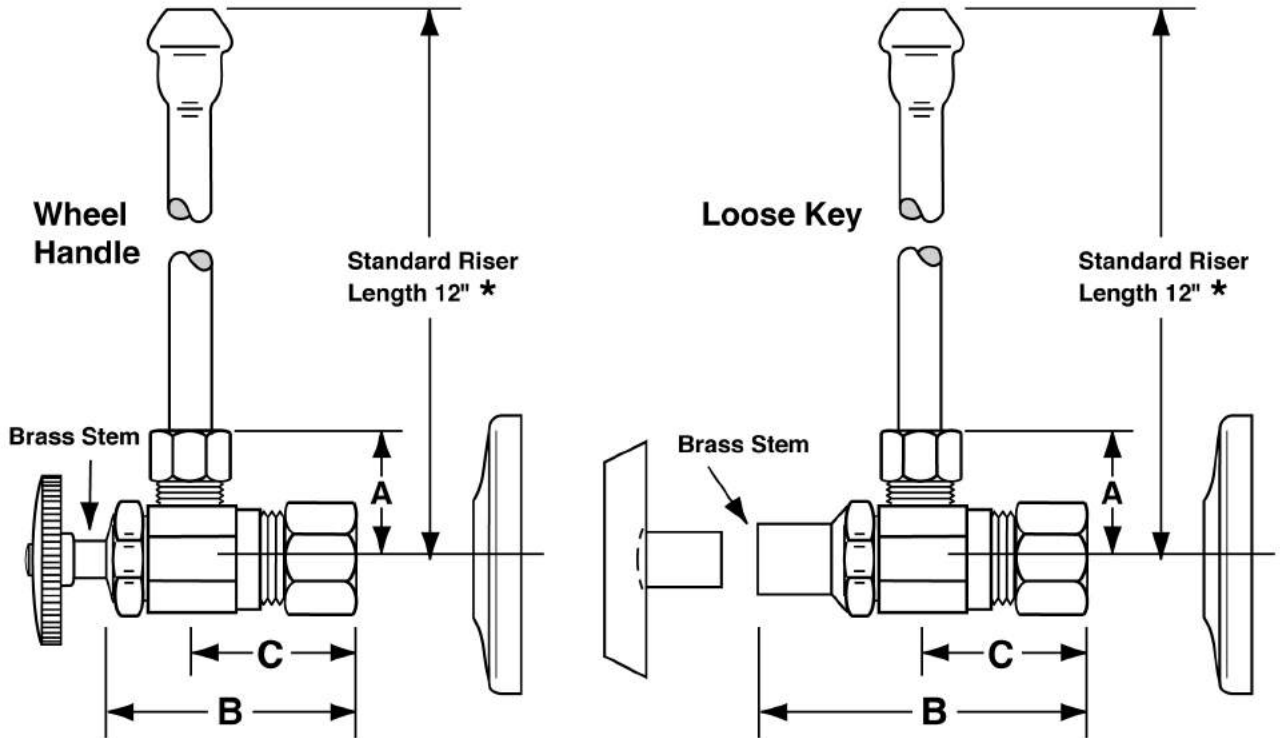
Part No.

**LF2165CCECO**

**Compression x Compression  
 Lavatory Supply**

**Job Name:** \_\_\_\_\_

**Submittal Number:** \_\_\_\_\_



NO.	DESCRIPTION	ROUGHING MEASUREMENTS		
		A	B	C
LF2165CCECO	1/2" Nominal x 3/8" O.D.	1"	1-3/4"	1"

- Rated Operating Pressure: 20-125 PSI
- Rated Operating Temperature: 40-140°F
- Note: 180°F max. during temporary high-temperature system flush



**LK** designates Loose Key

★ See options and accessories section for details on product variations.

## Specifications:

Supply kit shall include lead free chrome plated supply brass stop valves with full turn brass stem, no plastic, (12, 15, 20) inch chrome plated risers and (shallow, deep, bell) (steel, brass) or (forged brass with set screw) flange. Inlet shall be (3/8, 1/2) inch IPS. Outlet shall be (3/8, 1/2) inch (IPS, compression). Supply kit shall be McGuire \_\_\_\_\_. Supply kit shall be certified by recognized authority and bear manufacturer and testing mark.

**⚠ WARNING:**

This product can expose you to chemicals including lead, which is known to the State of California to cause cancer, and birth defects or other reproductive harm. For more information go to [www.P65Warnings.ca.gov](http://www.P65Warnings.ca.gov).



**McGuire Manufacturing Co., Inc.**

60 Grandview Court

Cheshire, Connecticut 06410

(203) 699-1801 Fax (203) 699-1813

customerservice@mcguiremfg.com mcguiremfg.com

**PRODUCT SPECIFICATION**

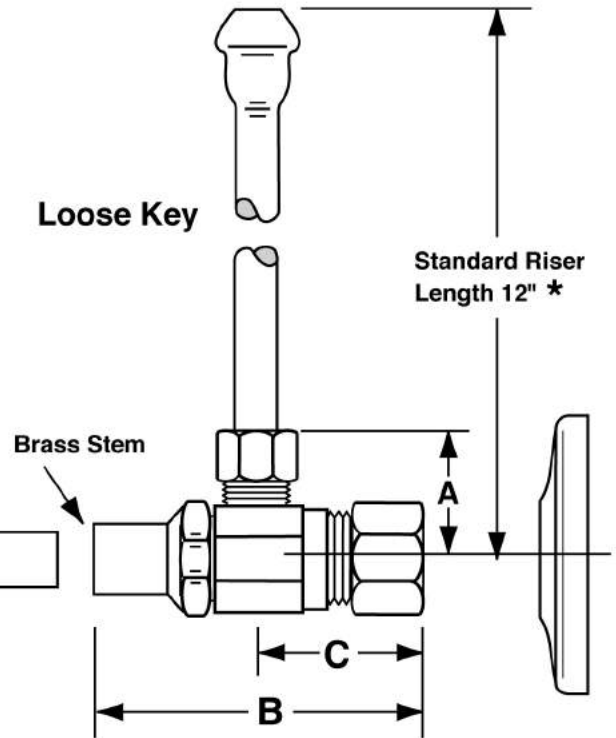
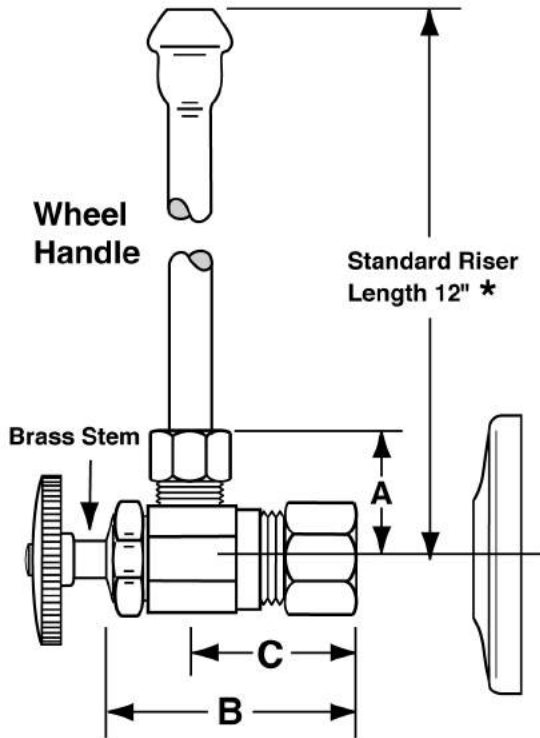
**Part No.**

**LF2165CCLK**

**Compression x Compression  
Lavatory Supply**

**Job Name:**

**Submittal Number:**



NO.	DESCRIPTION	ROUGHING MEASUREMENTS		
		A	B	C
LF2165CCLK	1/2" Nominal x 3/8" O.D.	1"	2-3/8"	1"

**LK** designates Loose Key

★ See options and accessories section for details on product variations.



**Specifications:**

Supply kit shall include lead free chrome plated supply brass stop valves with full turn brass stem, no plastic, (12, 15, 20) inch chrome plated risers and (shallow, deep, bell) (steel, brass) or (forged brass with set screw) flange. Inlet shall be (3/8, 1/2) inch IPS. Outlet shall be (3/8, 1/2) inch (IPS, compression). Supply kit shall be McGuire \_\_\_\_\_ . Supply kit shall be certified by recognized authority and bear manufacturer and testing mark.



**WARNING:**  
This product can expose you to chemicals including lead, which is known to the State of California to cause cancer, and birth defects or other reproductive harm. For more information go to [www.P65Warnings.ca.gov](http://www.P65Warnings.ca.gov).



**McGuire Manufacturing Co., Inc.**

60 Grandview Court  
 Cheshire, Connecticut 06410  
 (203) 699-1801 Fax (203) 699-1813  
 customerservice@mcguiremfg.com mcguiremfg.com

**PRODUCT SPECIFICATION**

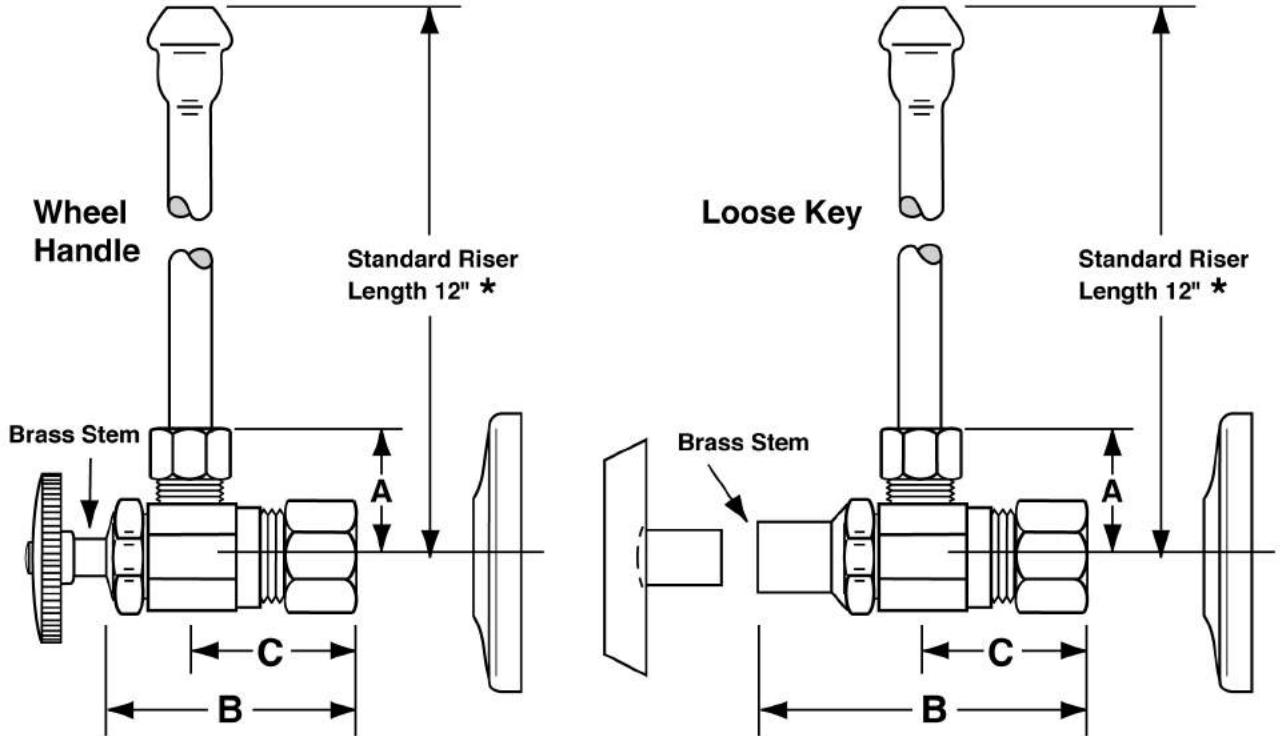
**Part No.**

**LF2165CCLKECO**

**Compression x Compression  
 Lavatory Supply**

**Job Name:**

**Submittal Number:**



NO.	DESCRIPTION	ROUGHING MEASUREMENTS		
		A	B	C
LF2165CCLKECO	1/2" Nominal x 3/8" O.D.	1"	2-3/8"	1"

- Rated Operating Pressure: 20-125 PSI
- Rated Operating Temperature: 40-140°F
- Note: 180°F max. during temporary high-temperature system flush



**LK** designates Loose Key

★ See options and accessories section for details on product variations.

**Specifications:**

Supply kit shall include lead free chrome plated supply brass stop valves with full turn brass stem, no plastic, (12, 15, 20) inch chrome plated risers and (shallow, deep, bell) (steel, brass) or (forged brass with set screw) flange. Inlet shall be (3/8, 1/2) inch IPS. Outlet shall be (3/8, 1/2) inch (IPS, compression). Supply kit shall be McGuire \_\_\_\_\_ . Supply kit shall be certified by recognized authority and bear manufacturer and testing mark.

**! WARNING:**

This product can expose you to chemicals including lead, which is known to the State of California to cause cancer, and birth defects or other reproductive harm. For more information go to [www.P65Warnings.ca.gov](http://www.P65Warnings.ca.gov).





# McGuire Manufacturing Co., Inc.

60 Grandview Court  
Cheshire, Connecticut 06410  
(203) 699-1801 Fax (203) 699-1813  
customerservice@mcguiremfg.com mcguiremfg.com

## PRODUCT SPECIFICATION

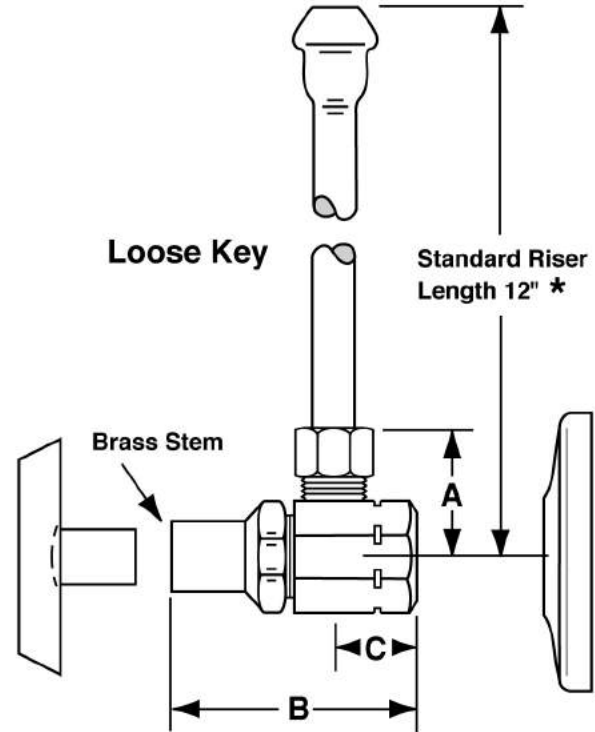
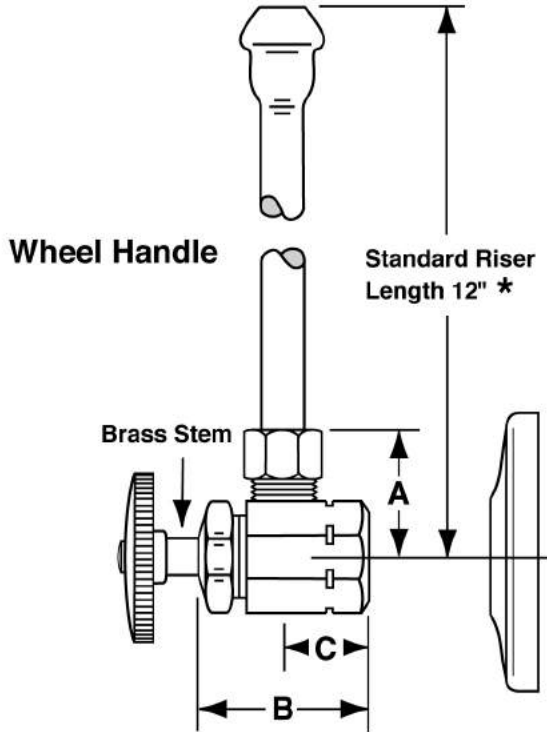
Part No.

# LF2165ECO

### Lavatory Supply 1/2" I.P.S. x O.D.

Job Name: \_\_\_\_\_

Submittal Number: \_\_\_\_\_



NO.	DESCRIPTION	ROUGHING MEASUREMENTS		
		A	B	C
LF2165ECO	1/2" I.P.S. x 3/8" O.D.	1-3/16"	1-1/2"	3/4"

- Rated Operating Pressure: 20-125 PSI
- Rated Operating Temperature: 40-140°F
- Note: 180°F max. during temporary high-temperature system flush

**LK** designates Loose Key

\* See options and accessories section for details on product variations.



## Specifications:

Supply kit shall include lead free chrome plated brass supply stop valves with full turn brass stem, no plastic, (12, 15, 20) inch chrome plated risers and (shallow, deep, bell) (steel, brass) or (forged brass with set screw) flange. Inlet shall be (3/8, 1/2) inch (IPS, compression). Outlet shall be (3/8, 1/2) inch compression. Supply kit shall be McGuire \_\_\_\_\_. Supply kit shall be certified by recognized authority and bear manufacturer and testing mark.



### WARNING:

This product can expose you to chemicals including lead, which is known to the State of California to cause cancer, and birth defects or other reproductive harm. For more information go to [www.P65Warnings.ca.gov](http://www.P65Warnings.ca.gov).



**McGuire Manufacturing Co., Inc.**

60 Grandview Court

Cheshire, Connecticut 06410

(203) 699-1801 Fax (203) 699-1813

customerservice@mcguiremfg.com mcguiremfg.com

**PRODUCT SPECIFICATION**

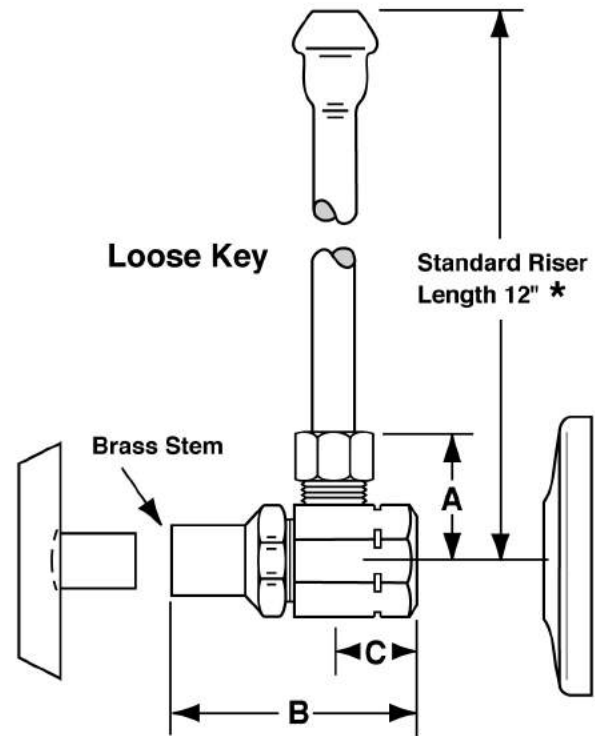
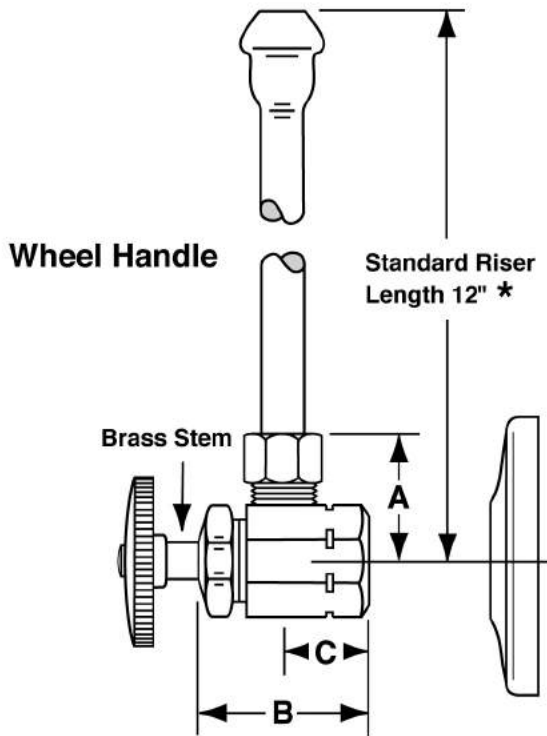
**Part No.**

**LF2165LK**

**Lavatory Supply  
1/2" I.P.S. x O.D.**

**Job Name:**

**Submittal Number:**



NO.	DESCRIPTION	ROUGHING MEASUREMENTS		
		A	B	C
<b>LF2165LK</b>	1/2" I.P.S. x 3/8" O.D.	1-3/16"	2-1/4"	3/4"

**LK** designates Loose Key

\* See options and accessories section for details on product variations.



**Specifications:**

Supply kit shall include lead free chrome plated brass supply stop valves with full turn brass stem, no plastic, (12, 15, 20) inch chrome plated risers and (shallow, deep, bell) (steel, brass) or (forged brass with set screw) flange. Inlet shall be (3/8, 1/2) inch (IPS, compression). Outlet shall be (3/8, 1/2) inch compression. Supply kit shall be McGuire \_\_\_\_\_ . Supply kit shall be certified by recognized authority and bear manufacturer and testing mark.



**WARNING:**

This product can expose you to chemicals including lead, which is known to the State of California to cause cancer, and birth defects or other reproductive harm. For more information go to [www.P65Warnings.ca.gov](http://www.P65Warnings.ca.gov).



# McGuire Manufacturing Co., Inc.

60 Grandview Court  
Cheshire, Connecticut 06410  
(203) 699-1801 Fax (203) 699-1813  
customerservice@mcguiremfg.com mcguiremfg.com

## PRODUCT SPECIFICATION

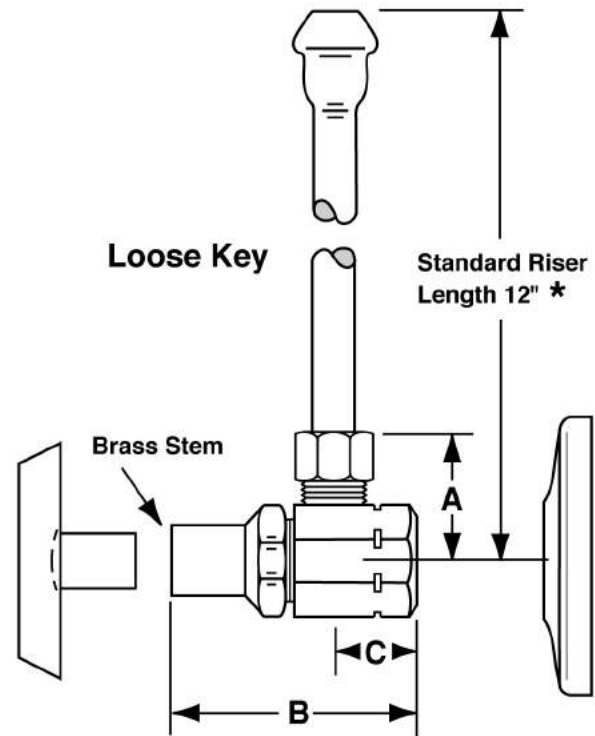
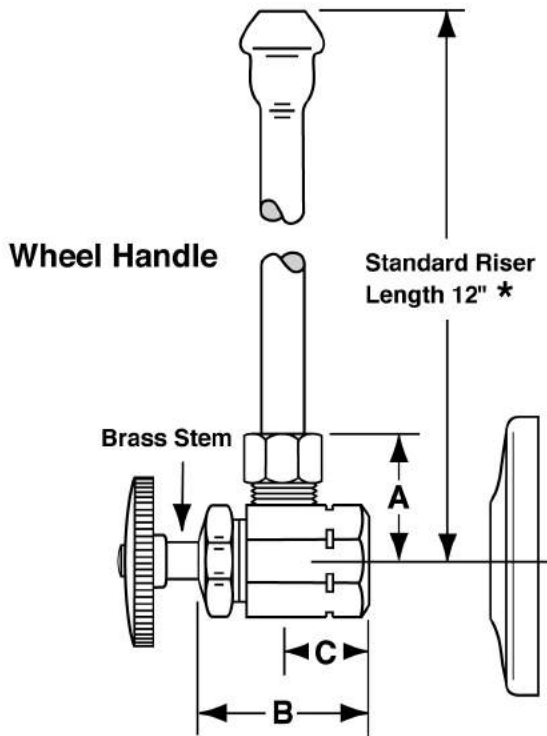
Part No.

# LF2165LKECO

### Lavatory Supply 1/2" I.P.S. x O.D.

Job Name:

Submittal Number:



NO.	DESCRIPTION	ROUGHING MEASUREMENTS		
		A	B	C
LF2165LKECO	1/2" I.P.S. x 3/8" O.D.	1-3/16"	2-1/4"	3/4"

- Rated Operating Pressure: 20-125 PSI
- Rated Operating Temperature: 40-140°F
- Note: 180°F max. during temporary high-temperature system flush



**LK** designates Loose Key

\* See options and accessories section for details on product variations.

## Specifications:

Supply kit shall include lead free chrome plated brass supply stop valves with full turn brass stem, no plastic, (12, 15, 20) inch chrome plated risers and (shallow, deep, bell) (steel, brass) or (forged brass with set screw) flange. Inlet shall be (3/8, 1/2) inch (IPS, compression). Outlet shall be (3/8, 1/2) inch compression. Supply kit shall be McGuire \_\_\_\_\_ . Supply kit shall be certified by recognized authority and bear manufacturer and testing mark.



### WARNING:

This product can expose you to chemicals including lead, which is known to the State of California to cause cancer, and birth defects or other reproductive harm. For more information go to [www.P65Warnings.ca.gov](http://www.P65Warnings.ca.gov).



**McGuire Manufacturing Co., Inc.**

60 Grandview Court  
 Cheshire, Connecticut 06410  
 (203) 699-1801 Fax (203) 699-1813  
 customerservice@mcguiremfg.com mcguiremfg.com

**PRODUCT SPECIFICATION**

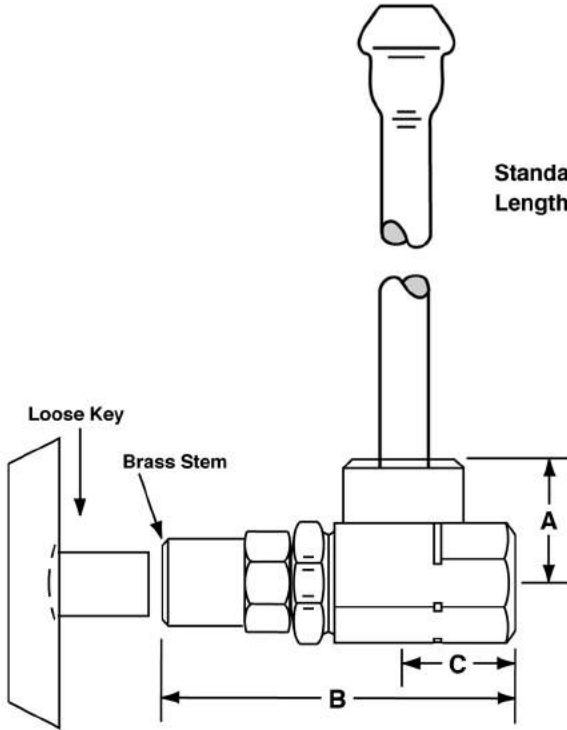
**Part No.**

**LF2165LKSB**

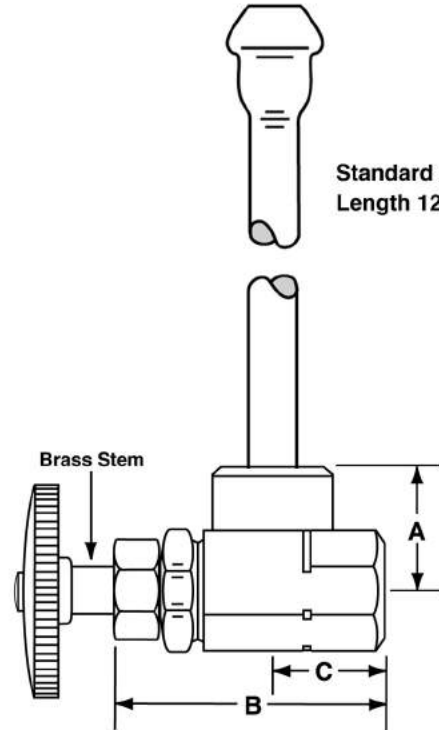
**Lavatory Supply  
 1/2" I.P.S. x O.D.**

**Job Name:**

**Submittal Number:**



**Standard Riser  
 Length 12" \***



**Standard Riser  
 Length 12" \***

NO.	DESCRIPTION	ROUGHING MEASUREMENTS		
		A	B	C
LF2165LKSB	1/2" I.P.S. x 3/8" O.D.	7/8"	2"	7/8"

**SB** designates *Stuffing Box*

**LK** designates *Loose Key*

\* See options and accessories section for details on product variations.



**Specifications:**

Supply kit shall include lead free chrome plated brass stop valve with stuffing box and full brass stem. Inlet shall be (3/8, 1/2) inch (IPS, sweat, compression.) Outlet shall be (3/8, 1/2) inch (IPS, compression.) Supply stop valve shall be McGuire \_\_\_\_\_ . Supply shall be certified by recognized testing authority and bear manufacturer and testing mark.



**WARNING:**

This product can expose you to chemicals including lead, which is known to the State of California to cause cancer, and birth defects or other reproductive harm. For more information go to [www.P65Warnings.ca.gov](http://www.P65Warnings.ca.gov).





**McGuire Manufacturing Co., Inc.**

60 Grandview Court  
 Cheshire, Connecticut 06410  
 (203) 699-1801 Fax (203) 699-1813  
 customerservice@mcguiremfg.com mcguiremfg.com

**PRODUCT SPECIFICATION**

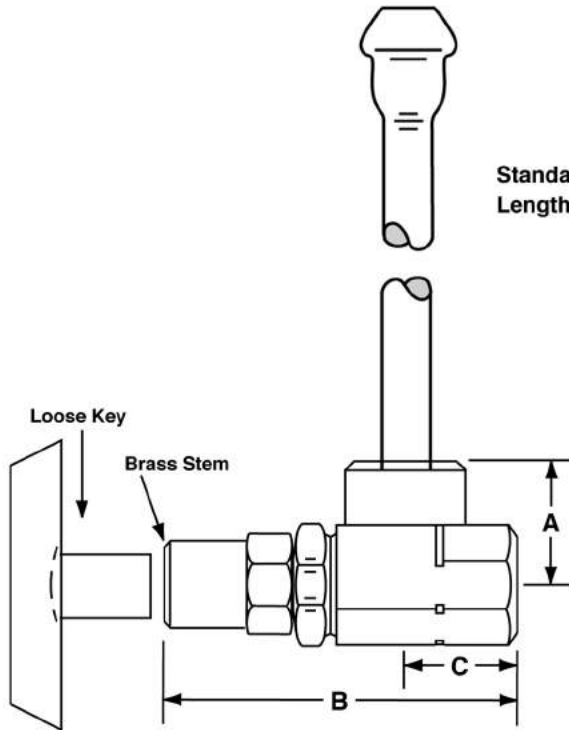
**Part No.**

**LF2165SB**

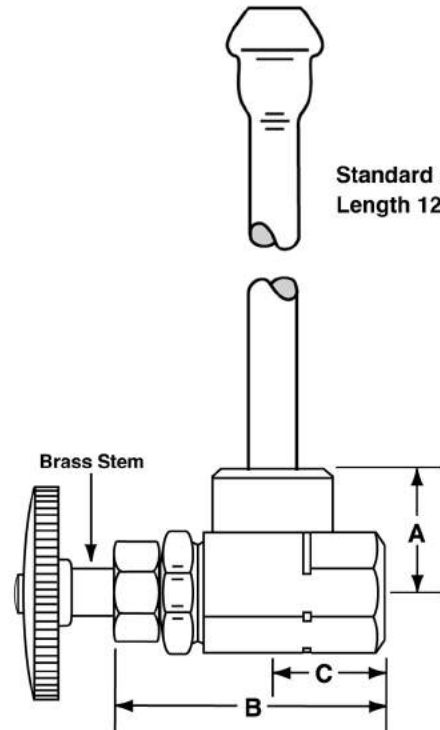
**Lavatory Supply  
 1/2" I.P.S. x O.D.**

**Job Name:**

**Submittal Number:**



**Standard Riser  
 Length 12" \***



**Standard Riser  
 Length 12" \***

NO.	DESCRIPTION	ROUGHING MEASUREMENTS		
		A	B	C
LF2165SB	1/2" I.P.S. x 3/8" O.D.	7/8"	2"	7/8"

**SB** designates *Stuffing Box*

**LK** designates *Loose Key*

\* See options and accessories section for details on product variations.



**Specifications:**

Supply kit shall include lead free chrome plated brass stop valve with stuffing box and full brass stem. Inlet shall be (3/8, 1/2) inch (IPS, sweat, compression.) Outlet shall be (3/8, 1/2) inch (IPS, compression.) Supply stop valve shall be McGuire \_\_\_\_\_ . Supply shall be certified by recognized testing authority and bear manufacturer and testing mark.

**! WARNING:**

This product can expose you to chemicals including lead, which is known to the State of California to cause cancer, and birth defects or other reproductive harm. For more information go to [www.P65Warnings.ca.gov](http://www.P65Warnings.ca.gov).



# McGuire Manufacturing Co., Inc.

60 Grandview Court  
 Cheshire, Connecticut 06410  
 (203) 699-1801 Fax (203) 699-1813  
 customerservice@mcguiremfg.com mcguiremfg.com

## PRODUCT SPECIFICATION

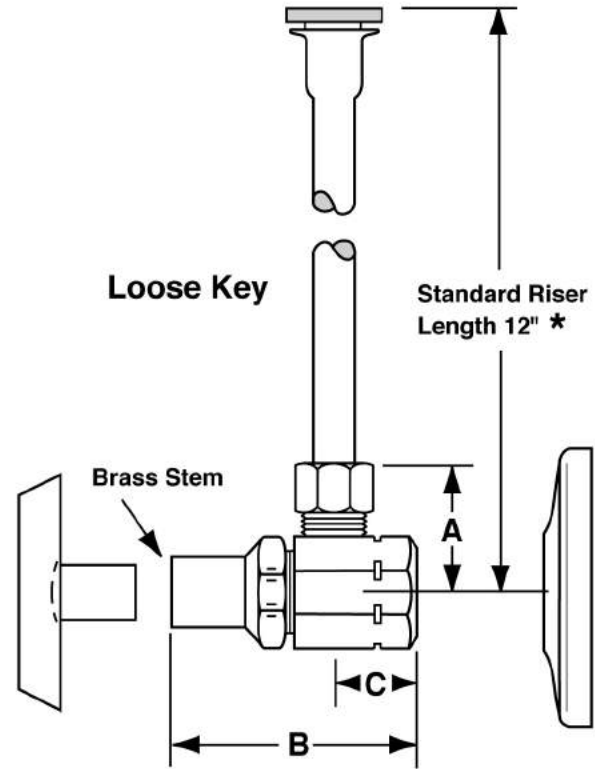
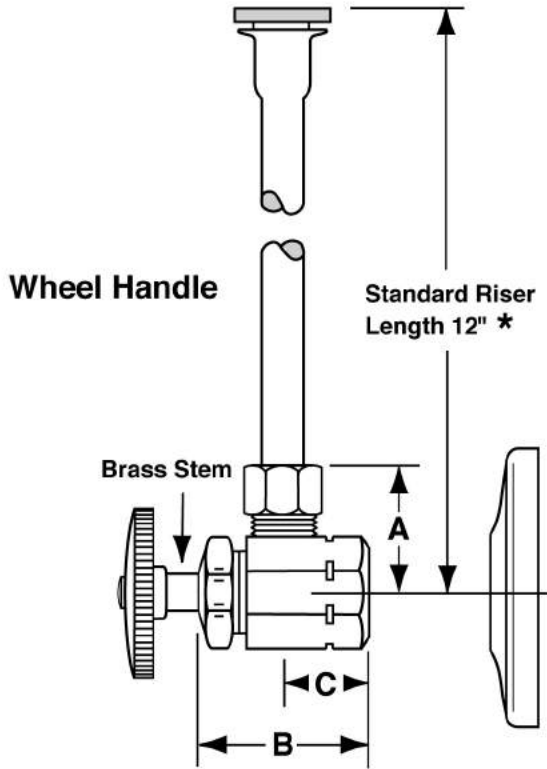
Part No.

**LF2166**

**Closet Supply**  
**1/2" I.P.S. x O.D.**

**Job Name:**

**Submittal Number:**



NO.	DESCRIPTION	ROUGHING MEASUREMENTS		
		A	B	C
<b>LF2166</b>	1/2" I.P.S. x 3/8" O.D.	1"	1-1/2"	3/4"

**LK** designates Loose Key

\* See options and accessories section for details on product variations.



## Specifications:

Supply kit shall include lead free chrome plated brass supply stop valves with full turn brass stem, no plastic, (12, 15, 20) inch chrome plated risers and (shallow, deep, bell) (steel, brass) or (forged brass with set screw) flange. Inlet shall be (3/8, 1/2) inch (IPS, sweat, compression). Outlet shall be (3/8, 1/2) inch (IPS, compression). Supply kit shall be McGuire \_\_\_\_\_ . Supply kit shall be certified by recognized authority and bear manufacturer and testing mark.



### WARNING:

This product can expose you to chemicals including lead, which is known to the State of California to cause cancer, and birth defects or other reproductive harm. For more information go to [www.P65Warnings.ca.gov](http://www.P65Warnings.ca.gov).



**McGuire Manufacturing Co., Inc.**

60 Grandview Court  
 Cheshire, Connecticut 06410  
 (203) 699-1801 Fax (203) 699-1813  
 customerservice@mcguiremfg.com mcguiremfg.com

**PRODUCT SPECIFICATION**

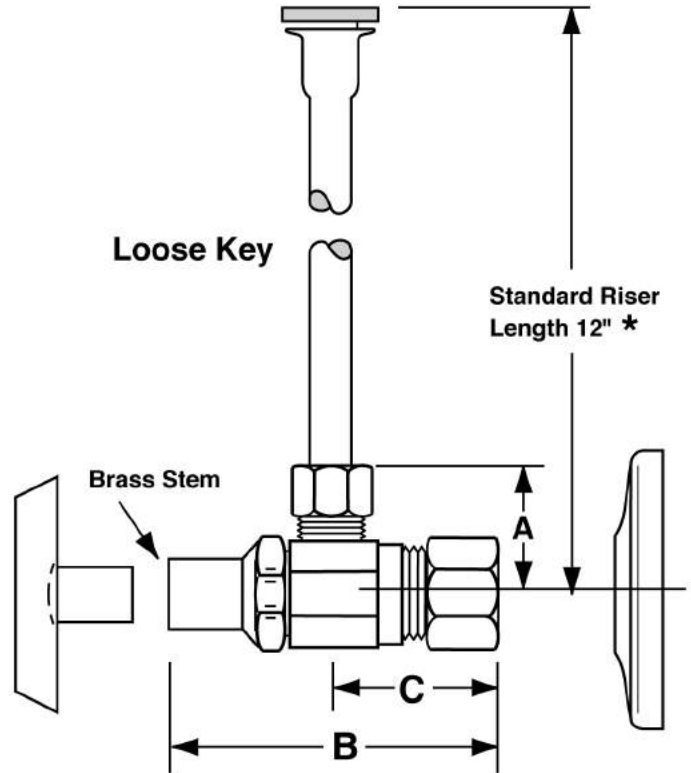
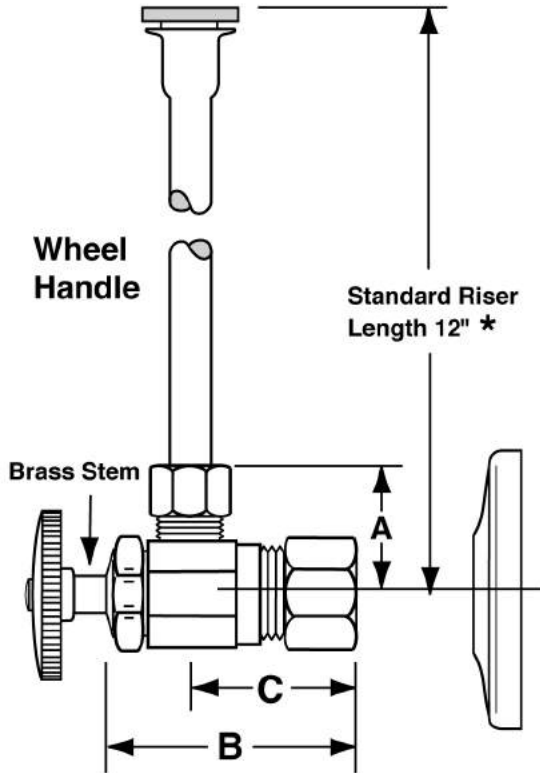
**Part No.**

**LF2166CC**

**Compression x Compression  
 Closet Supply**

**Job Name:**

**Submittal Number:**



NO.	DESCRIPTION	ROUGHING MEASUREMENTS		
		A	B	C
LF2166CC	1/2" Nominal x 3/8" O.D.	1"	1-1/2"	3/4"

**LK** designates Loose Key

\* See options and accessories section for details on product variations.



**Specifications:**

Supply kit shall include lead free chrome plated brass supply stop valves with full turn brass stem, no plastic, (12, 15, 20) inch chrome plated risers and (shallow, deep, bell) (steel, brass) or (forged brass with set screw) flange. Inlet shall be (3/8, 1/2) inch (IPS, sweat, compression). Outlet shall be (3/8, 1/2) inch (IPS, compression). Supply kit shall be McGuire \_\_\_\_\_ . Supply kit shall be certified by recognized authority and bear manufacturer and testing mark.



**WARNING:**

This product can expose you to chemicals including lead, which is known to the State of California to cause cancer, and birth defects or other reproductive harm. For more information go to [www.P65Warnings.ca.gov](http://www.P65Warnings.ca.gov).



# McGuire Manufacturing Co., Inc.

60 Grandview Court  
Cheshire, Connecticut 06410  
(203) 699-1801 Fax (203) 699-1813  
customerservice@mcguiremfg.com mcguiremfg.com

## PRODUCT SPECIFICATION

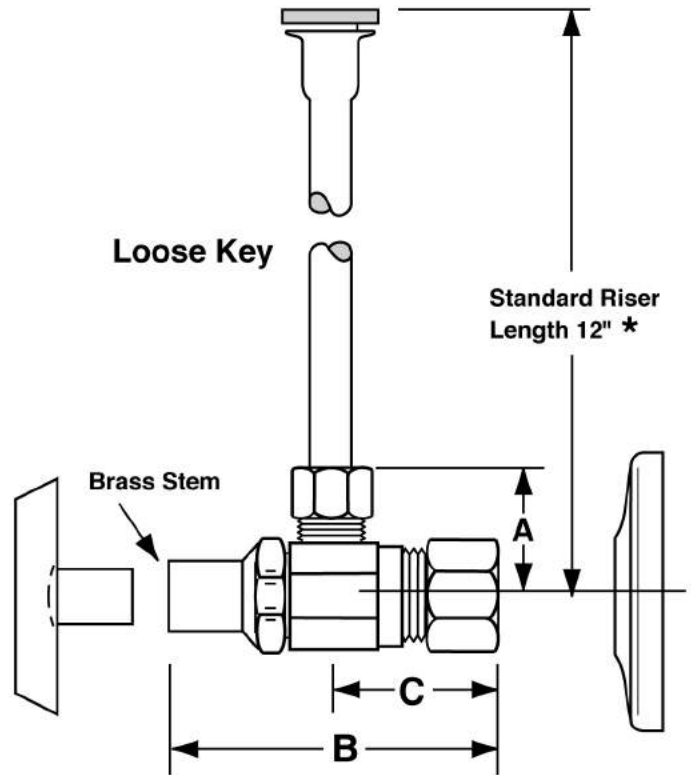
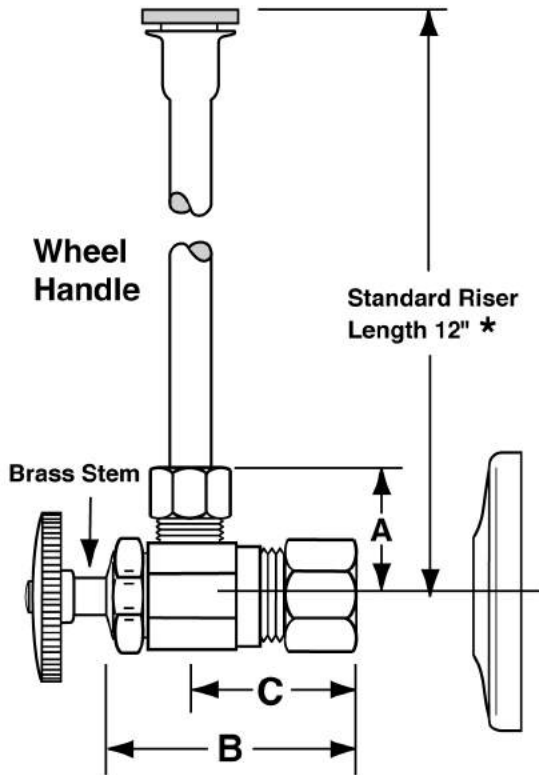
Part No.

# LF2166CCECO

### Compression x Compression Closet Supply

Job Name:

Submittal Number:



NO.	DESCRIPTION	ROUGHING MEASUREMENTS		
		A	B	C
LF2166CCECO	1/2" Nominal x 3/8" O.D.	1"	1-1/2"	3/4"

- Rated Operating Pressure: 20-125 PSI
- Rated Operating Temperature: 40-140°F
- Note: 180°F max. during temporary high-temperature system flush

**LK** designates Loose Key

★ See options and accessories section for details on product variations.



## Specifications:

Supply kit shall include lead free chrome plated brass supply stop valves with full turn brass stem, no plastic, (12, 15, 20) inch chrome plated risers and (shallow, deep, bell) (steel, brass) or (forged brass with set screw) flange. Inlet shall be (3/8, 1/2) inch (IPS, sweat, compression). Outlet shall be (3/8, 1/2) inch (IPS, compression). Supply kit shall be McGuire \_\_\_\_\_ . Supply kit shall be certified by recognized authority and bear manufacturer and testing mark.



### WARNING:

This product can expose you to chemicals including lead, which is known to the State of California to cause cancer, and birth defects or other reproductive harm. For more information go to [www.P65Warnings.ca.gov](http://www.P65Warnings.ca.gov).





**McGuire Manufacturing Co., Inc.**

60 Grandview Court  
 Cheshire, Connecticut 06410  
 (203) 699-1801 Fax (203) 699-1813  
 customerservice@mcguiremfg.com mcguiremfg.com

**PRODUCT SPECIFICATION**

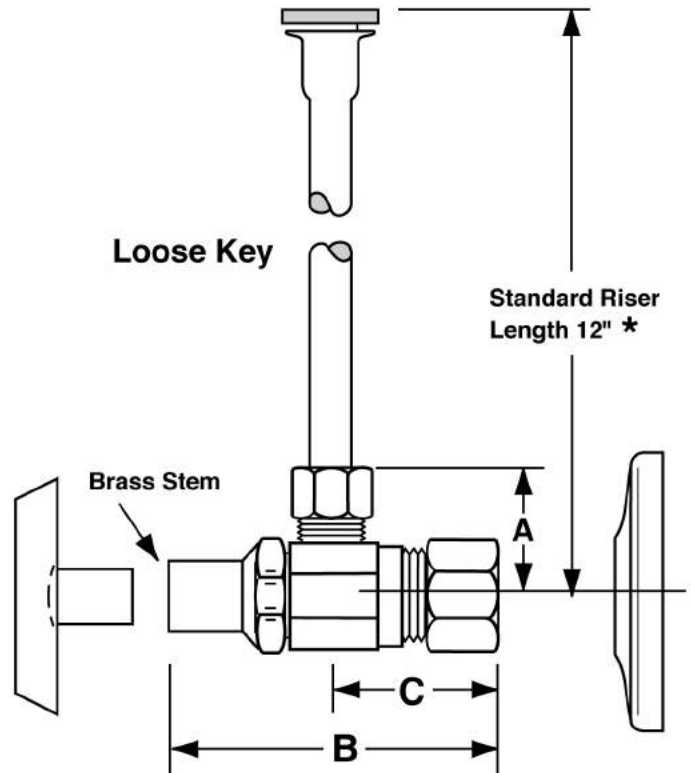
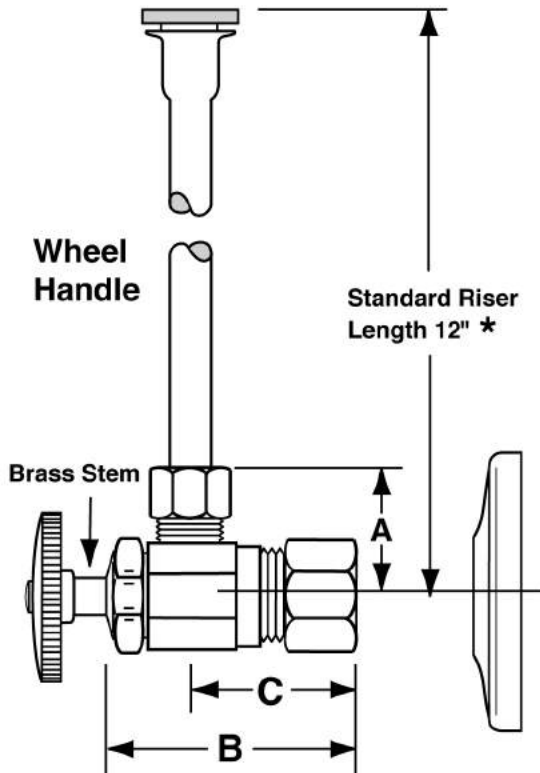
**Part No.**

**LF2166CCLK**

**Compression x Compression  
 Closet Supply**

**Job Name:**

**Submittal Number:**



NO.	DESCRIPTION	ROUGHING MEASUREMENTS		
		A	B	C
LF2166CCLK	1/2" Nominal x 3/8" O.D.	1"	2-1/4"	3/4"

**LK** designates Loose Key

\* See options and accessories section for details on product variations.



**Specifications:**

Supply kit shall include lead free chrome plated brass supply stop valves with full turn brass stem, no plastic, (12, 15, 20) inch chrome plated risers and (shallow, deep, bell) (steel, brass) or (forged brass with set screw) flange. Inlet shall be (3/8, 1/2) inch (IPS, sweat, compression). Outlet shall be (3/8, 1/2) inch (IPS, compression). Supply kit shall be McGuire \_\_\_\_\_ . Supply kit shall be certified by recognized authority and bear manufacturer and testing mark.



**WARNING:**

This product can expose you to chemicals including lead, which is known to the State of California to cause cancer, and birth defects or other reproductive harm. For more information go to [www.P65Warnings.ca.gov](http://www.P65Warnings.ca.gov).



# McGuire Manufacturing Co., Inc.

60 Grandview Court  
 Cheshire, Connecticut 06410  
 (203) 699-1801 Fax (203) 699-1813  
 customerservice@mcguiremfg.com mcguiremfg.com

## PRODUCT SPECIFICATION

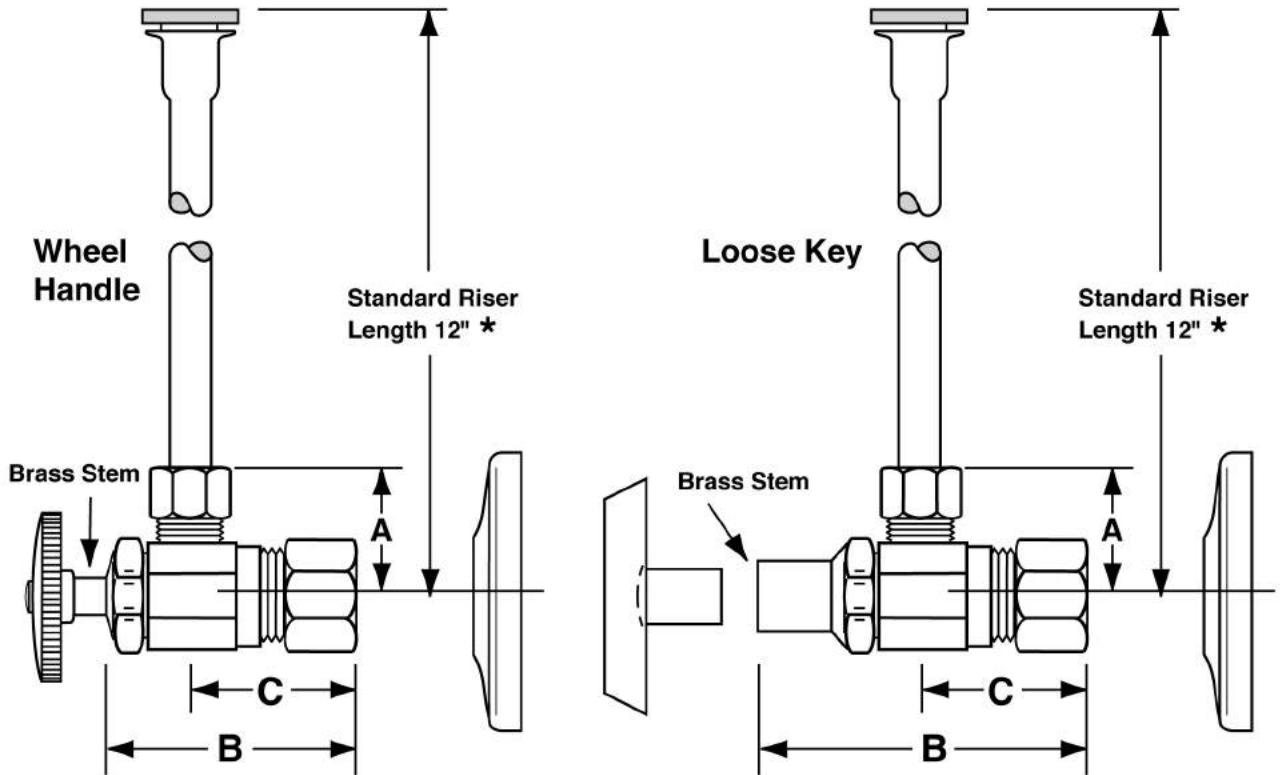
Part No.

**LF2166CCLKECO**

**Compression x Compression  
 Closet Supply**

**Job Name:**

**Submittal Number:**



NO.	DESCRIPTION	ROUGHING MEASUREMENTS		
		A	B	C
LF2166CCLKECO	1/2" Nominal x 3/8" O.D.	1"	2-1/4"	3/4"

- Rated Operating Pressure: 20-125 PSI
- Rated Operating Temperature: 40-140°F
- Note: 180°F max. during temporary high-temperature system flush

**LK** designates Loose Key

★ See options and accessories section for details on product variations.



## Specifications:

Supply kit shall include lead free chrome plated brass supply stop valves with full turn brass stem, no plastic, (12, 15, 20) inch chrome plated risers and (shallow, deep, bell) (steel, brass) or (forged brass with set screw) flange. Inlet shall be (3/8, 1/2) inch (IPS, sweat, compression). Outlet shall be (3/8, 1/2) inch (IPS, compression). Supply kit shall be McGuire \_\_\_\_\_ . Supply kit shall be certified by recognized authority and bear manufacturer and testing mark.



### WARNING:

This product can expose you to chemicals including lead, which is known to the State of California to cause cancer, and birth defects or other reproductive harm. For more information go to [www.P65Warnings.ca.gov](http://www.P65Warnings.ca.gov).



# McGuire Manufacturing Co., Inc.

60 Grandview Court  
 Cheshire, Connecticut 06410  
 (203) 699-1801 Fax (203) 699-1813  
 customerservice@mcguiremfg.com mcguiremfg.com

## PRODUCT SPECIFICATION

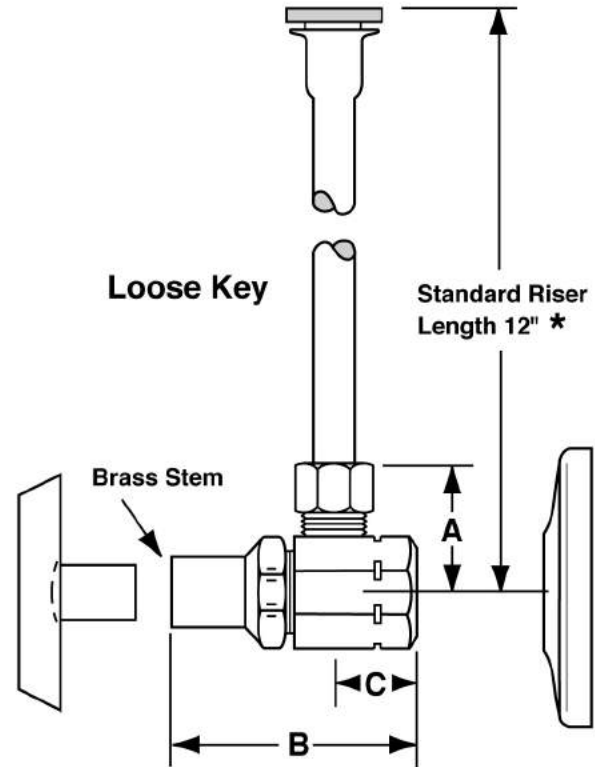
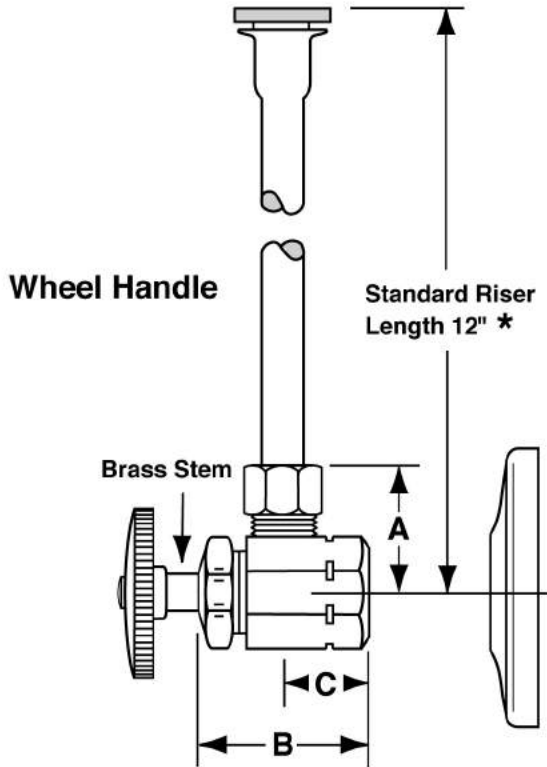
Part No.

**LF2166LK**

**Closet Supply**  
**1/2" I.P.S. x O.D.**

**Job Name:**

**Submittal Number:**



NO.	DESCRIPTION	ROUGHING MEASUREMENTS		
		A	B	C
LF2166LK	1/2" I.P.S. x 3/8" O.D.	1"	2-1/4"	3/4"

**LK** designates Loose Key

\* See options and accessories section for details on product variations.



## Specifications:

Supply kit shall include lead free chrome plated brass supply stop valves with full turn brass stem, no plastic, (12, 15, 20) inch chrome plated risers and (shallow, deep, bell) (steel, brass) or (forged brass with set screw) flange. Inlet shall be (3/8, 1/2) inch (IPS, sweat, compression). Outlet shall be (3/8, 1/2) inch (IPS, compression). Supply kit shall be McGuire \_\_\_\_\_ . Supply kit shall be certified by recognized authority and bear manufacturer and testing mark.



### WARNING:

This product can expose you to chemicals including lead, which is known to the State of California to cause cancer, and birth defects or other reproductive harm. For more information go to [www.P65Warnings.ca.gov](http://www.P65Warnings.ca.gov).



**McGuire Manufacturing Co., Inc.**

60 Grandview Court

Cheshire, Connecticut 06410

(203) 699-1801 Fax (203) 699-1813

customerservice@mcguiremfg.com mcguiremfg.com

**PRODUCT SPECIFICATION**

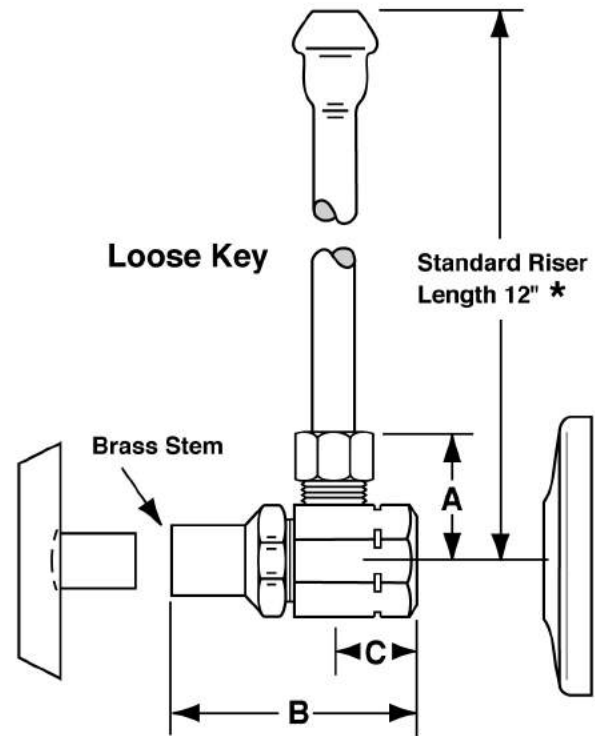
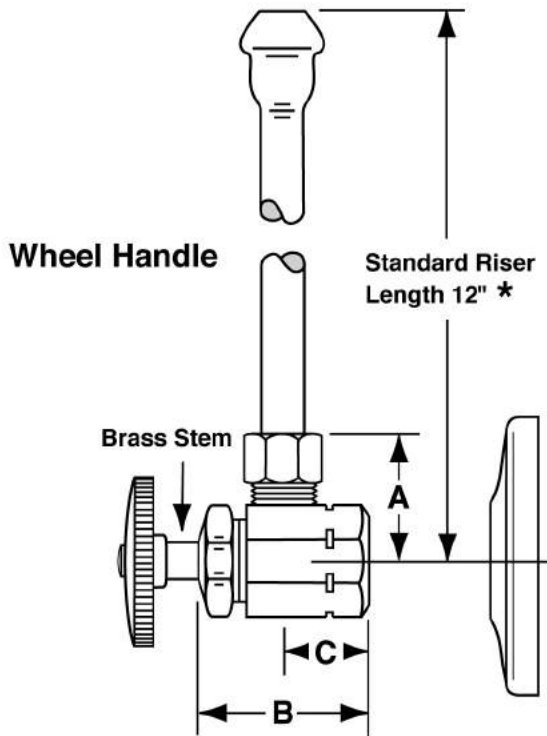
**Part No.**

**LF2167**

**Lavatory Supply  
1/2" I.P.S. x O.D.**

**Job Name:**

**Submittal Number:**



NO.	DESCRIPTION	ROUGHING MEASUREMENTS		
		A	B	C
<b>LF2167</b>	1/2" I.P.S. x 1/2" O.D.	1-3/16"	1-1/2"	3/4"

**LK** designates Loose Key

\* See options and accessories section for details on product variations.



**Specifications:**

Supply kit shall include lead free chrome plated brass supply stop valves with full turn brass stem, no plastic, (12, 15, 20) inch chrome plated risers and (shallow, deep, bell) (steel, brass) or (forged brass with set screw) flange. Inlet shall be (3/8, 1/2) inch (IPS, compression). Outlet shall be (3/8, 1/2) inch compression. Supply kit shall be McGuire \_\_\_\_\_ . Supply kit shall be certified by recognized authority and bear manufacturer and testing mark.



**WARNING:**

This product can expose you to chemicals including lead, which is known to the State of California to cause cancer, and birth defects or other reproductive harm. For more information go to [www.P65Warnings.ca.gov](http://www.P65Warnings.ca.gov).





**McGuire Manufacturing Co., Inc.**

60 Grandview Court

Cheshire, Connecticut 06410

(203) 699-1801 Fax (203) 699-1813

customerservice@mcguiremfg.com mcguiremfg.com

**PRODUCT SPECIFICATION**

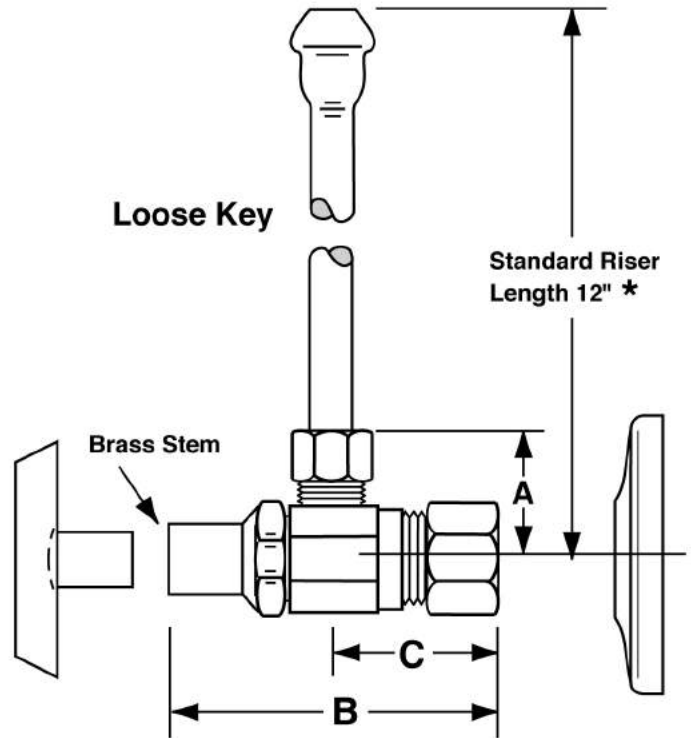
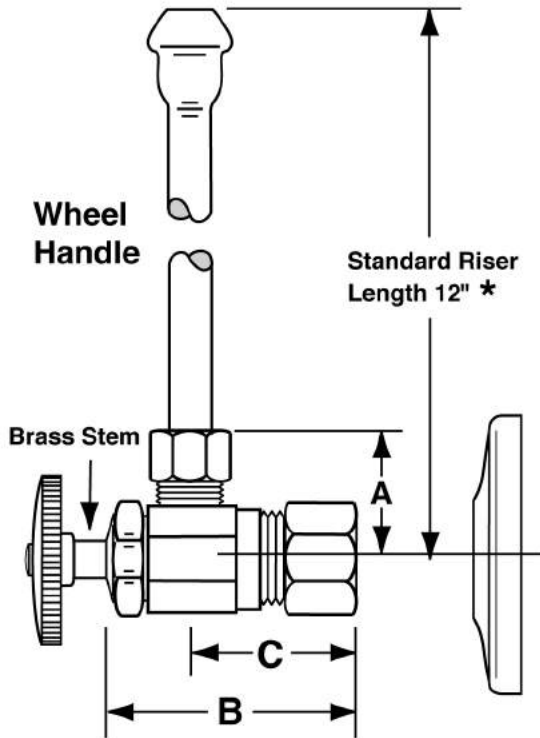
**Part No.**

**LF2167CC**

**Compression x Compression  
Lavatory Supply**

**Job Name:**

**Submittal Number:**



NO.	DESCRIPTION	ROUGHING MEASUREMENTS		
		A	B	C
LF2167CC	1/2" Nominal x 1/2" O.D.	1"	1-3/4"	1-1/4"

**LK** designates Loose Key

★ See options and accessories section for details on product variations.



**Specifications:**

Supply kit shall include lead free chrome plated supply brass stop valves with full turn brass stem, no plastic, (12, 15, 20) inch chrome plated risers and (shallow, deep, bell) (steel, brass) or (forged brass with set screw) flange. Inlet shall be (3/8, 1/2) inch IPS. Outlet shall be (3/8, 1/2) inch (IPS, compression). Supply kit shall be McGuire \_\_\_\_\_ . Supply kit shall be certified by recognized authority and bear manufacturer and testing mark.

**! WARNING:**

This product can expose you to chemicals including lead, which is known to the State of California to cause cancer, and birth defects or other reproductive harm. For more information go to [www.P65Warnings.ca.gov](http://www.P65Warnings.ca.gov).



**McGuire Manufacturing Co., Inc.**

60 Grandview Court

Cheshire, Connecticut 06410

(203) 699-1801 Fax (203) 699-1813

customerservice@mcguiremfg.com mcguiremfg.com

**PRODUCT SPECIFICATION**

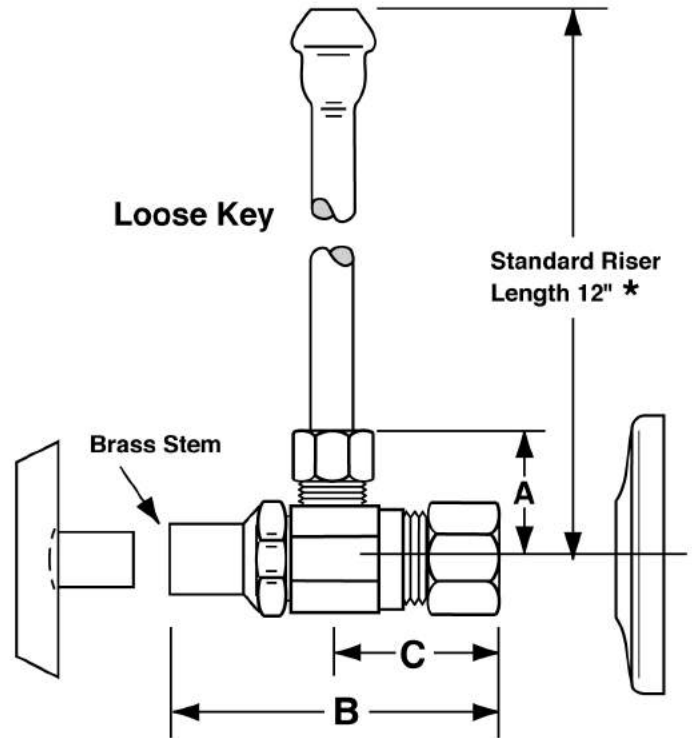
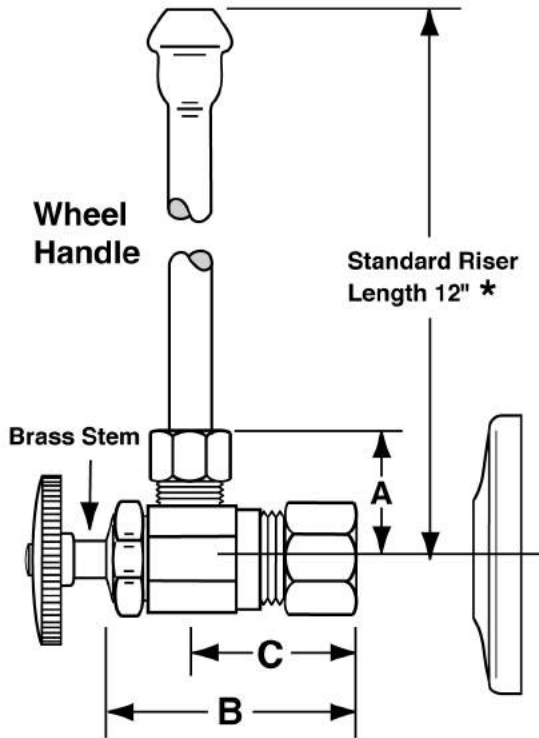
**Part No.**

**LF2167CCLK**

**Compression x Compression  
Lavatory Supply**

**Job Name:**

**Submittal Number:**



NO.	DESCRIPTION	ROUGHING MEASUREMENTS		
		A	B	C
LF2167CCLK	1/2" Nominal x 1/2" O.D.	1"	2-3/8"	1-1/4"

LK designates Loose Key

\* See options and accessories section for details on product variations.



**Specifications:**

Supply kit shall include lead free chrome plated supply brass stop valves with full turn brass stem, no plastic, (12, 15, 20) inch chrome plated risers and (shallow, deep, bell) (steel, brass) or (forged brass with set screw) flange. Inlet shall be (3/8, 1/2) inch IPS. Outlet shall be (3/8, 1/2) inch (IPS, compression). Supply kit shall be McGuire \_\_\_\_\_ . Supply kit shall be certified by recognized authority and bear manufacturer and testing mark.



**WARNING:**  
This product can expose you to chemicals including lead, which is known to the State of California to cause cancer, and birth defects or other reproductive harm. For more information go to [www.P65Warnings.ca.gov](http://www.P65Warnings.ca.gov).



**McGuire Manufacturing Co., Inc.**

60 Grandview Court  
 Cheshire, Connecticut 06410  
 (203) 699-1801 Fax (203) 699-1813  
 customerservice@mcguiremfg.com mcguiremfg.com

**PRODUCT SPECIFICATION**

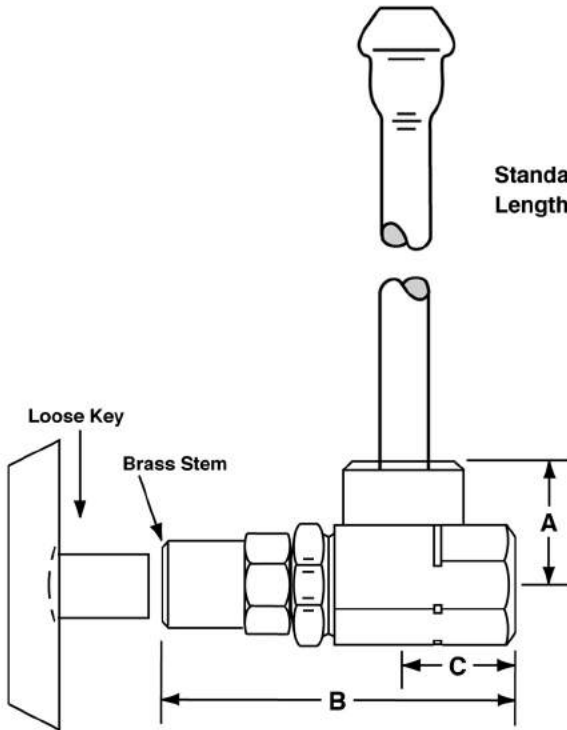
**Part No.**

**LF2167LKSB**

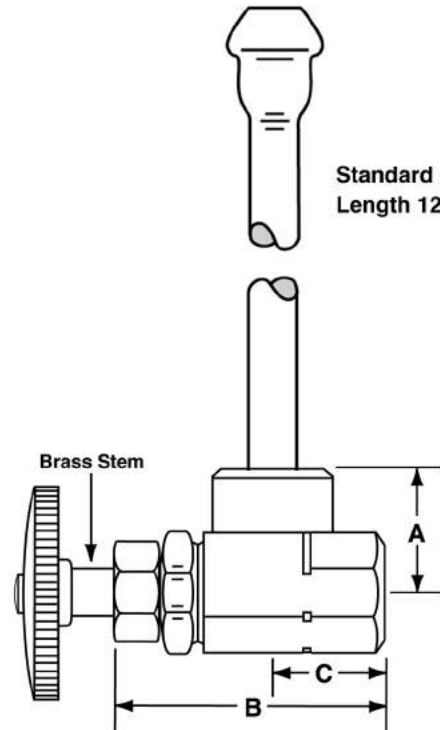
**Lavatory Supply  
 1/2" I.P.S. x O.D.**

**Job Name:**

**Submittal Number:**



**Standard Riser  
 Length 12" \***



**Standard Riser  
 Length 12" \***

NO.	DESCRIPTION	ROUGHING MEASUREMENTS		
		A	B	C
LF2167LKSB	1/2" I.P.S. x 1/2" O.D.	7/8"	2"	7/8"

**SB** designates *Stuffing Box*

**LK** designates *Loose Key*

\* See options and accessories section for details on product variations.



**Specifications:**

Supply kit shall include lead free chrome plated brass stop valve with stuffing box and full brass stem. Inlet shall be (3/8, 1/2) inch (IPS, sweat, compression.) Outlet shall be (3/8, 1/2) inch (IPS, compression.) Supply stop valve shall be McGuire \_\_\_\_\_ . Supply shall be certified by recognized testing authority and bear manufacturer and testing mark.



**WARNING:**

This product can expose you to chemicals including lead, which is known to the State of California to cause cancer, and birth defects or other reproductive harm. For more information go to [www.P65Warnings.ca.gov](http://www.P65Warnings.ca.gov).



# McGuire Manufacturing Co., Inc.

60 Grandview Court  
 Cheshire, Connecticut 06410  
 (203) 699-1801 Fax (203) 699-1813  
 customerservice@mcguiremfg.com mcguiremfg.com

## PRODUCT SPECIFICATION

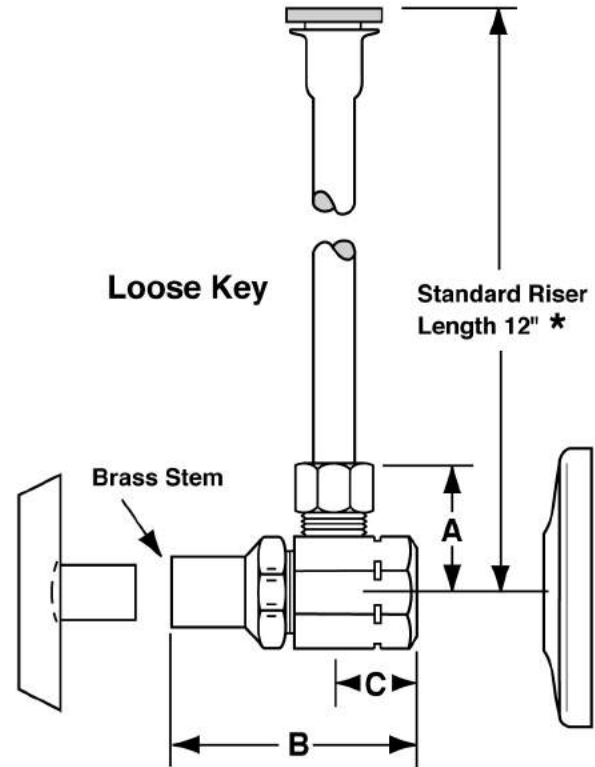
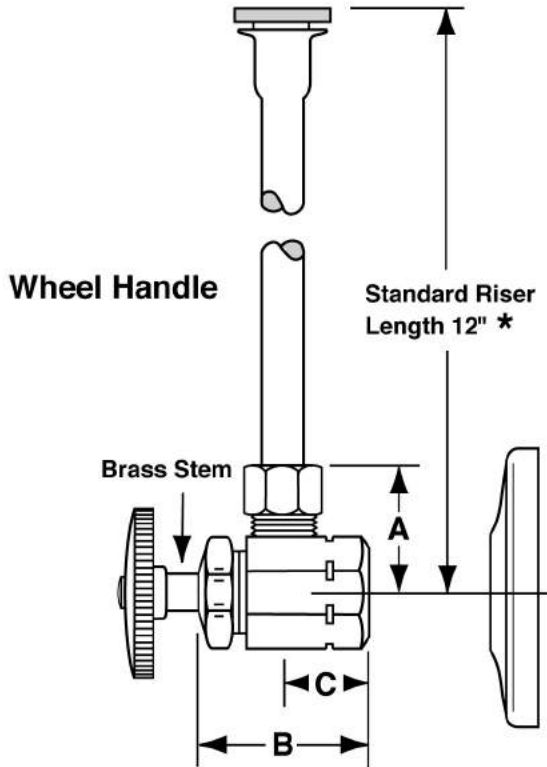
Part No.

**LF2169**

**Closet Supply**  
**1/2" I.P.S. x O.D.**

**Job Name:**

**Submittal Number:**



NO.	DESCRIPTION	ROUGHING MEASUREMENTS		
		A	B	C
LF2169	1/2" I.P.S. x 1/2" O.D.	1"	1-1/2"	3/4"

**LK** designates Loose Key

\* See options and accessories section for details on product variations.



## Specifications:

Supply kit shall include lead free chrome plated brass supply stop valves with full turn brass stem, no plastic, (12, 15, 20) inch chrome plated risers and (shallow, deep, bell) (steel, brass) or (forged brass with set screw) flange. Inlet shall be (3/8, 1/2) inch (IPS, sweat, compression). Outlet shall be (3/8, 1/2) inch (IPS, compression). Supply kit shall be McGuire \_\_\_\_\_ . Supply kit shall be certified by recognized authority and bear manufacturer and testing mark.



### WARNING:

This product can expose you to chemicals including lead, which is known to the State of California to cause cancer, and birth defects or other reproductive harm. For more information go to [www.P65Warnings.ca.gov](http://www.P65Warnings.ca.gov).





**McGuire Manufacturing Co., Inc.**

60 Grandview Court  
 Cheshire, Connecticut 06410  
 (203) 699-1801 Fax (203) 699-1813  
 customerservice@mcguiremfg.com mcguiremfg.com

**PRODUCT SPECIFICATION**

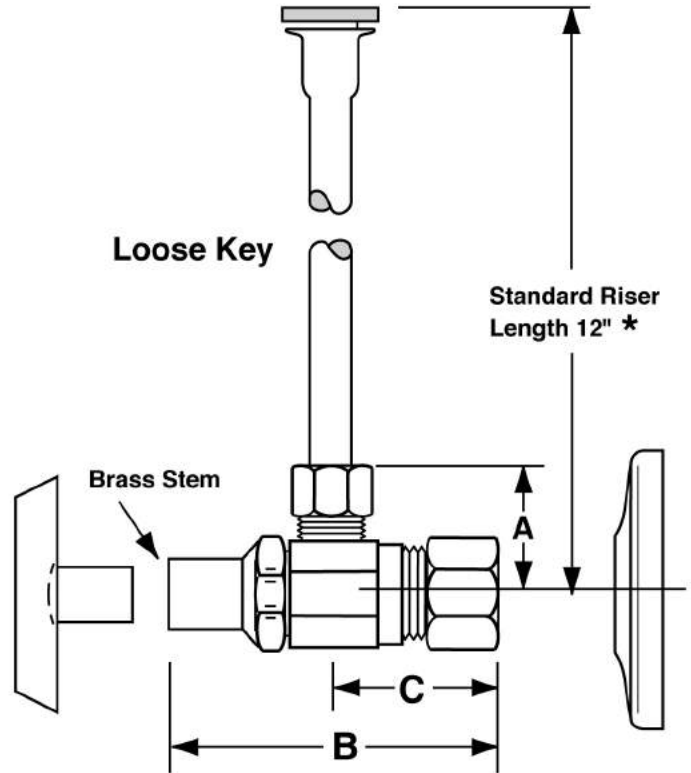
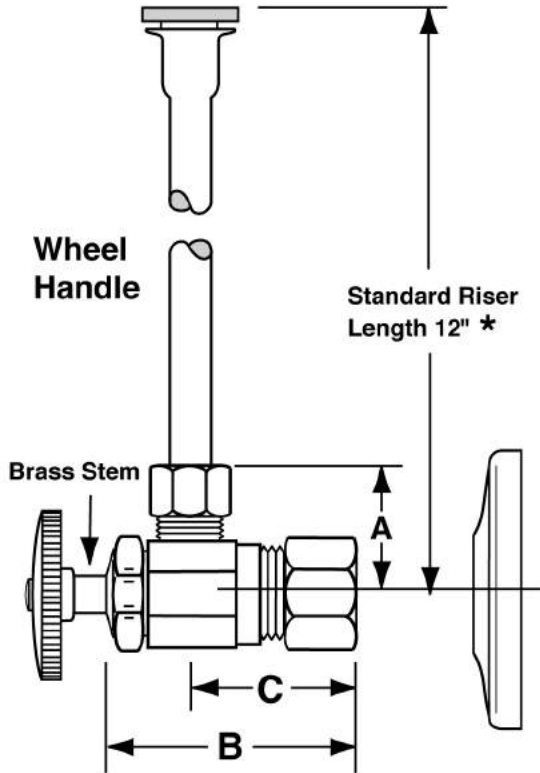
**Part No.**

**LF2169CC**

**Compression x Compression  
 Closet Supply**

**Job Name:**

**Submittal Number:**



NO.	DESCRIPTION	ROUGHING MEASUREMENTS		
		A	B	C
LF2169CC	1/2" Nominal x 1/2" O.D.	1"	1-1/2"	3/4"

**LK** designates Loose Key

\* See options and accessories section for details on product variations.



**Specifications:**

Supply kit shall include lead free chrome plated brass supply stop valves with full turn brass stem, no plastic, (12, 15, 20) inch chrome plated risers and (shallow, deep, bell) (steel, brass) or (forged brass with set screw) flange. Inlet shall be (3/8, 1/2) inch (IPS, sweat, compression). Outlet shall be (3/8, 1/2) inch (IPS, compression). Supply kit shall be McGuire \_\_\_\_\_ . Supply kit shall be certified by recognized authority and bear manufacturer and testing mark.



**WARNING:**

This product can expose you to chemicals including lead, which is known to the State of California to cause cancer, and birth defects or other reproductive harm. For more information go to [www.P65Warnings.ca.gov](http://www.P65Warnings.ca.gov).



# McGuire Manufacturing Co., Inc.

60 Grandview Court  
 Cheshire, Connecticut 06410  
 (203) 699-1801 Fax (203) 699-1813  
 customerservice@mcguiremfg.com mcguiremfg.com

## PRODUCT SPECIFICATION

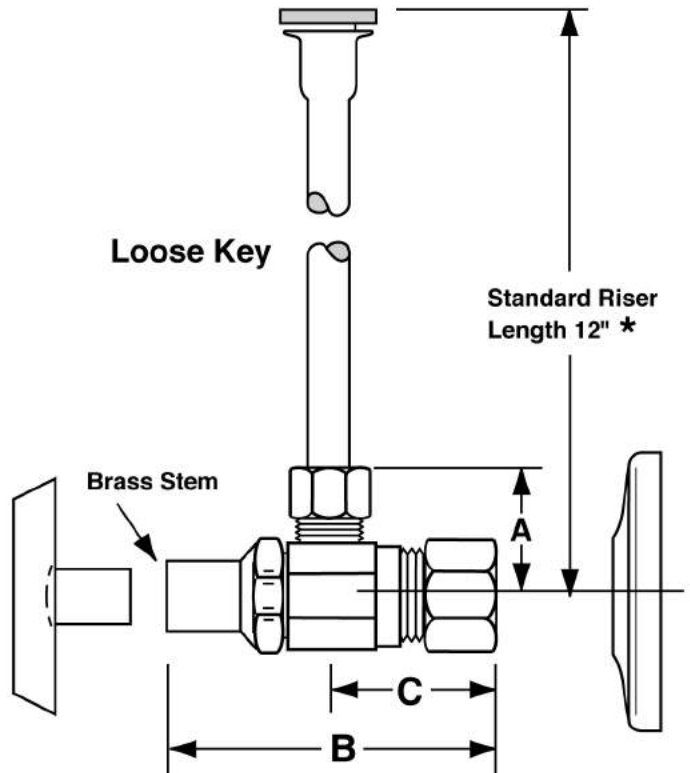
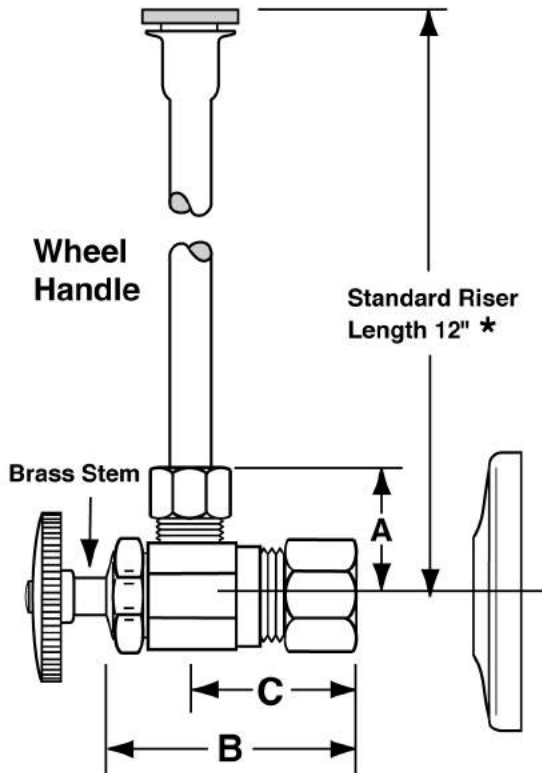
Part No.

**LF2169CCLK**

**Compression x Compression  
 Closet Supply**

**Job Name:**

**Submittal Number:**



NO.	DESCRIPTION	ROUGHING MEASUREMENTS		
		A	B	C
LF2169CCLK	1/2" Nominal x 1/2" O.D.	1"	2-1/4"	3/4"

**LK** designates Loose Key

\* See options and accessories section for details on product variations.



## Specifications:

Supply kit shall include lead free chrome plated brass supply stop valves with full turn brass stem, no plastic, (12, 15, 20) inch chrome plated risers and (shallow, deep, bell) (steel, brass) or (forged brass with set screw) flange. Inlet shall be (3/8, 1/2) inch (IPS, sweat, compression). Outlet shall be (3/8, 1/2) inch (IPS, compression). Supply kit shall be McGuire \_\_\_\_\_ . Supply kit shall be certified by recognized authority and bear manufacturer and testing mark.



### WARNING:

This product can expose you to chemicals including lead, which is known to the State of California to cause cancer, and birth defects or other reproductive harm. For more information go to [www.P65Warnings.ca.gov](http://www.P65Warnings.ca.gov).



# McGuire Manufacturing Co., Inc.

60 Grandview Court  
 Cheshire, Connecticut 06410  
 (203) 699-1801 Fax (203) 699-1813  
 customerservice@mcguiremfg.com mcguiremfg.com

## PRODUCT SPECIFICATION

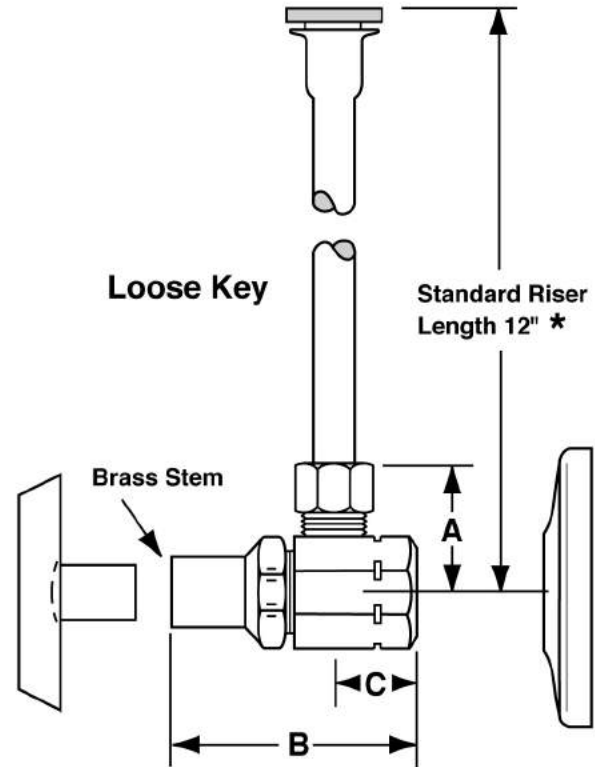
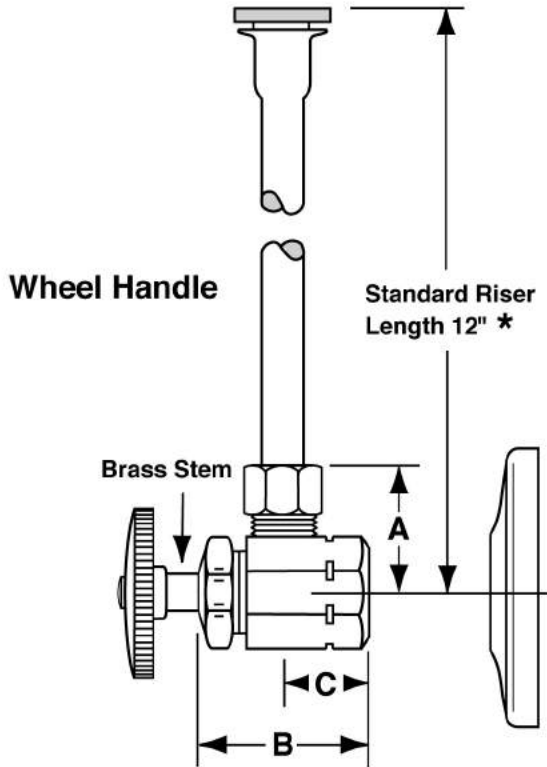
Part No.

**LF2169LK**

**Closet Supply**  
**1/2" I.P.S. x O.D.**

**Job Name:**

**Submittal Number:**



NO.	DESCRIPTION	ROUGHING MEASUREMENTS		
		A	B	C
LF2169LK	1/2" I.P.S. x 1/2" O.D.	1"	2-1/4"	3/4"

**LK** designates Loose Key

\* See options and accessories section for details on product variations.



## Specifications:

Supply kit shall include lead free chrome plated brass supply stop valves with full turn brass stem, no plastic, (12, 15, 20) inch chrome plated risers and (shallow, deep, bell) (steel, brass) or (forged brass with set screw) flange. Inlet shall be (3/8, 1/2) inch (IPS, sweat, compression). Outlet shall be (3/8, 1/2) inch (IPS, compression). Supply kit shall be McGuire \_\_\_\_\_ . Supply kit shall be certified by recognized authority and bear manufacturer and testing mark.



### WARNING:

This product can expose you to chemicals including lead, which is known to the State of California to cause cancer, and birth defects or other reproductive harm. For more information go to [www.P65Warnings.ca.gov](http://www.P65Warnings.ca.gov).



**McGuire Manufacturing Co., Inc.**

60 Grandview Court

Cheshire, Connecticut 06410

(203) 699-1801 Fax (203) 699-1813

customerservice@mcguiremfg.com mcguiremfg.com

**PRODUCT SPECIFICATION**

**Part No.**

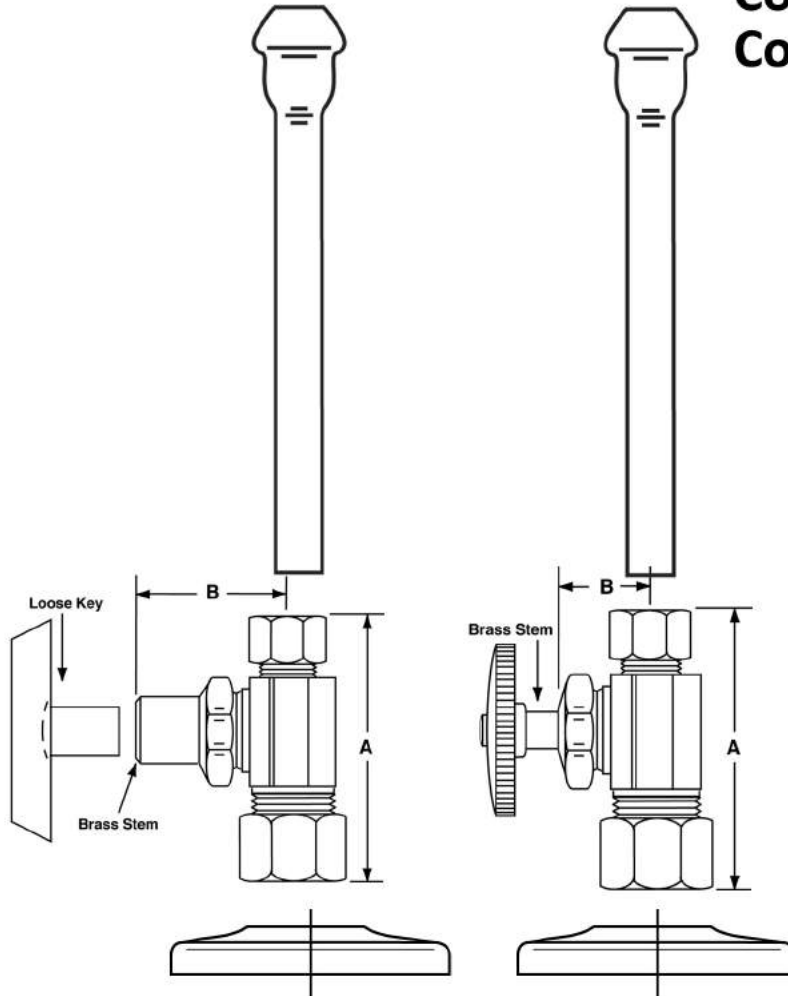
**LF3165CC**

**Straight Lavatory Supply Kit  
NOMINAL x O.D.**

**Job Name:**

**Submittal Number:**

**Compression to  
Compression**



Model No.	Description	Roughing Measurements	
		A	B
LF3165CC	1/2" NOMINAL x 3/8" OD STD	2-1/4"	7/8"

**LK** designates *Loose Key*

See options and accessories section for details on product variations.



**Specifications:**

Supply kit shall include lead free chrome plated supply brass stop valves with full turn brass stem, no plastic, (1/2) inch chrome plated risers and (shallow) (steel) flange. Inlet shall be (1/2) inch nominal. Outlet shall be (3/8) inch OD Supply kit shall be McGuire \_\_\_\_\_. Supply kit shall be certified by recognized authority and bear manufacturer and testing mark.



**WARNING:**

This product can expose you to chemicals including lead, which is known to the State of California to cause cancer, and birth defects or other reproductive harm. For more information go to [www.P65Warnings.ca.gov](http://www.P65Warnings.ca.gov).





**McGuire Manufacturing Co., Inc.**

60 Grandview Court

Cheshire, Connecticut 06410

(203) 699-1801 Fax (203) 699-1813

customerservice@mcguiremfg.com mcguiremfg.com

**PRODUCT SPECIFICATION**

**Part No.**

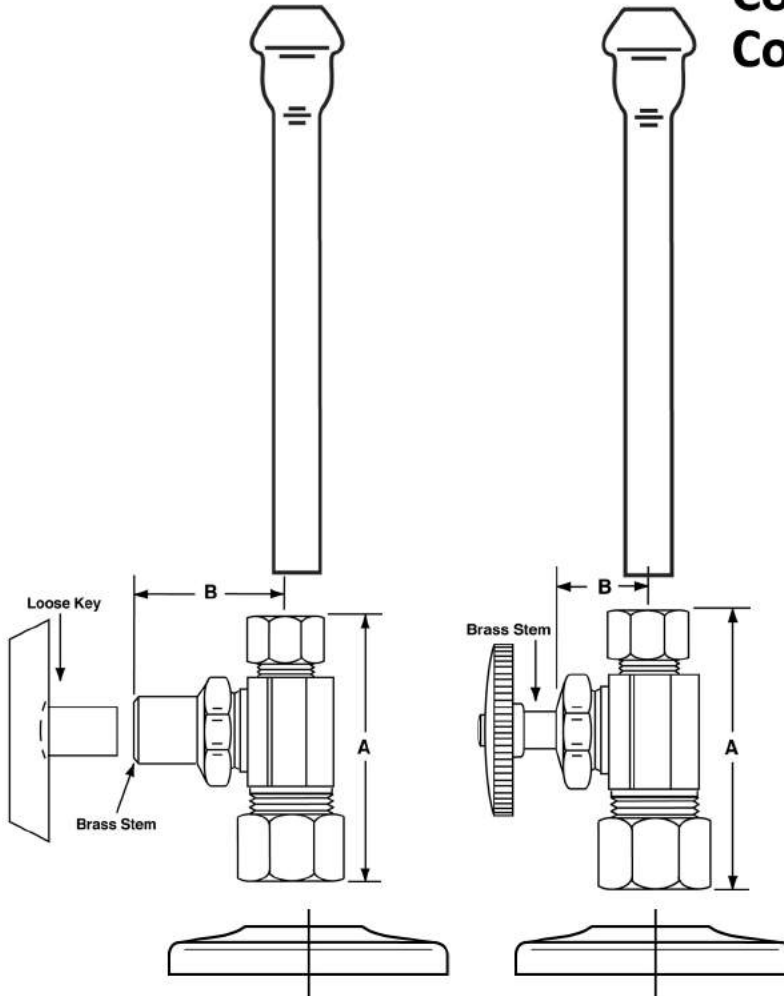
**LF3165CCLK**

**Straight Lavatory Supply Kit  
NOMINAL x O.D.**

**Job Name:**

**Submittal Number:**

**Compression to  
Compression**



Model No.	Description	Roughing Measurements	
		A	B
LF3165CCLK	1/2" NOMINAL x 3/8" OD STD LK	2-1/4"	1-5/8"

**LK** designates *Loose Key*

See options and accessories section for details on product variations.



**Specifications:**

Supply kit shall include lead free chrome plated supply brass stop valves with full turn brass stem, no plastic, (12) inch chrome plated risers and (shallow) (steel) flange. Inlet shall be (1/2) inch nominal. Outlet shall be (3/8) inch OD Supply kit shall be McGuire \_\_\_\_\_. Supply kit shall be certified by recognized authority and bear manufacturer and testing mark.



**WARNING:**

This product can expose you to chemicals including lead, which is known to the State of California to cause cancer, and birth defects or other reproductive harm. For more information go to [www.P65Warnings.ca.gov](http://www.P65Warnings.ca.gov).



# McGuire Manufacturing Co., Inc.

60 Grandview Court  
Cheshire, Connecticut 06410  
(203) 699-1801 Fax (203) 699-1813  
customerservice@mcguiremfg.com mcguiremfg.com

## PRODUCT SPECIFICATION

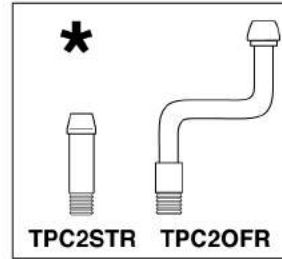
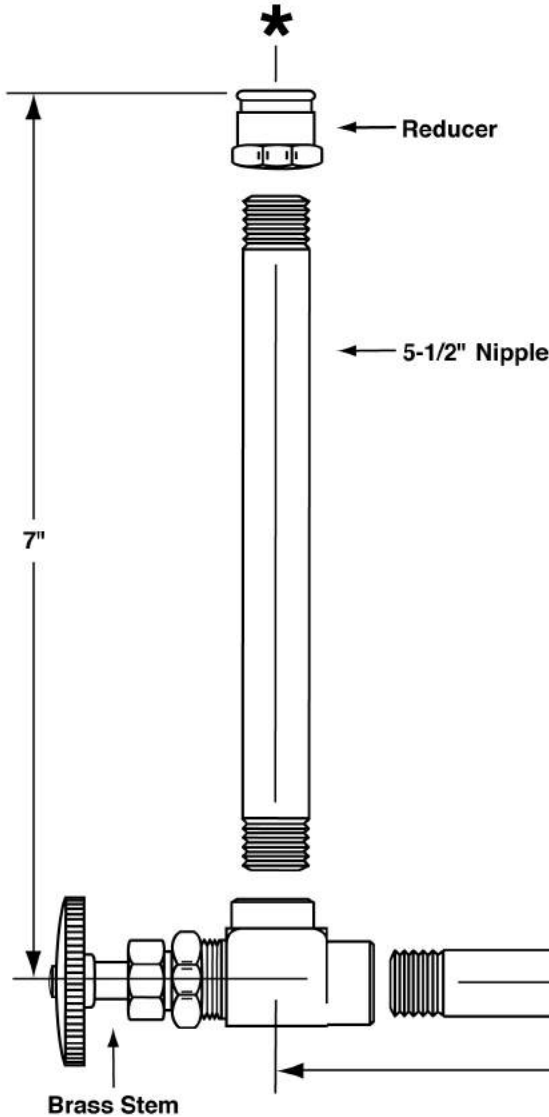
Part No.

# LFBV2-158

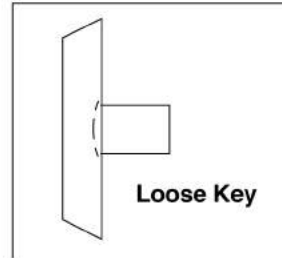
## Rigid Lavatory Supply Kit 3/8" IPS

Job Name:

Submittal Number:



McGuire tailpiece should be ordered separate for connection from reducer to faucet shank.  
(See specification sheet for TPC2STR, TPC2OFR)



Flange



See options and accessories section for details on product variations.

## Specifications:

Rigid supply kit shall include lead free chrome plated brass stops with threaded connections, stuffing box, full turn brass stem, no plastic, cast brass nipples, cast brass reducer and (steel, brass) or (forged brass with set screw) flange. Inlet shall be 3/8 inch IPS. Outlet shall be 3/8 inch IPS. Supply kit shall be McGuire \_\_\_\_\_ . Supply kit shall be certified by recognized testing authority and shall bear manufacturer and testing mark.



### WARNING:

This product can expose you to chemicals including lead, which is known to the State of California to cause cancer, and birth defects or other reproductive harm. For more information go to [www.P65Warnings.ca.gov](http://www.P65Warnings.ca.gov).



# McGuire Manufacturing Co., Inc.

60 Grandview Court  
Cheshire, Connecticut 06410  
(203) 699-1801 Fax (203) 699-1813  
customerservice@mcguiremfg.com mcguiremfg.com

## PRODUCT SPECIFICATION

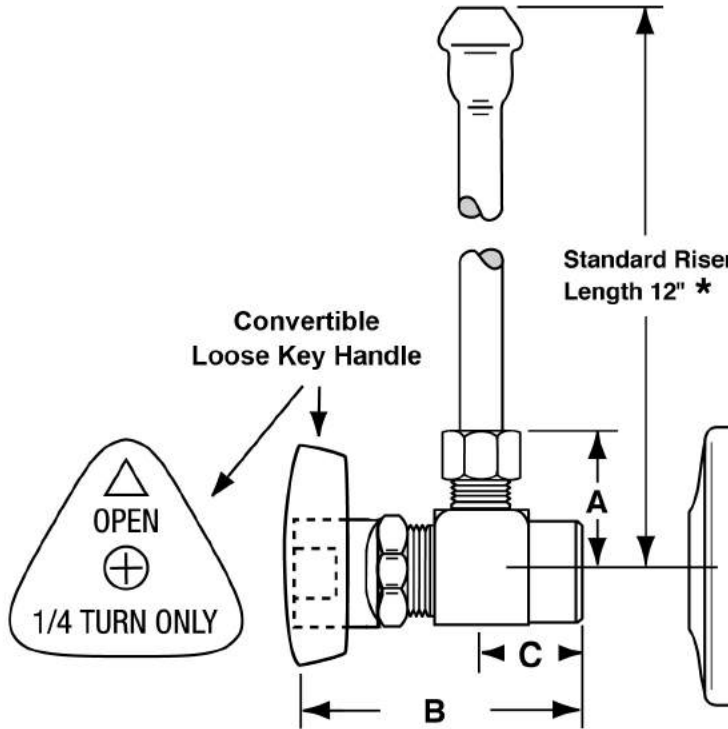
Part No.

LFBV2-165

Quarter-Turn Brass Ball  
Valve Lavatory Supply  
3/8" IPS x OD

Job Name:

Submittal Number:



NO.	DESCRIPTION	ROUGHING MEASUREMENTS		
		A	B	C
LFBV2-165	3/8" I.P.S. x 3/8" O.D.	1-3/8"	1-15/16"	1"

\* See options and accessories section for details on product variations.



## Specifications:

Supply kit shall include chrome plated, commercial pattern Quarter Turn Brass Ball Valve with convertible loose key handle, (chrome plated copper or stainless braided riser) and (shallow, deep, bell) (steel or brass) or (forged brass with set screw) flange. Inlet shall be 3/8" IPS. Outlet shall be 3/8" OD. Supply kit shall be McGuire \_\_\_\_\_ . Supply kit shall be certified by recognized testing authority and bear manufacturer and testing mark.



### WARNING:

This product can expose you to chemicals including lead, which is known to the State of California to cause cancer, and birth defects or other reproductive harm. For more information go to [www.P65Warnings.ca.gov](http://www.P65Warnings.ca.gov).



# McGuire Manufacturing Co., Inc.

60 Grandview Court  
Cheshire, Connecticut 06410  
(203) 699-1801 Fax (203) 699-1813  
customerservice@mcguiremfg.com mcguiremfg.com

## PRODUCT SPECIFICATION

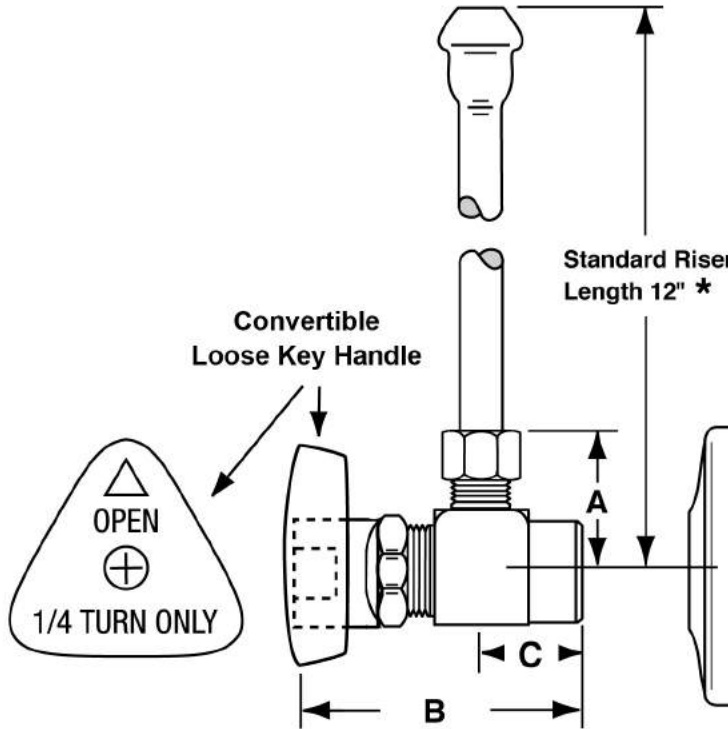
Part No.

LFBV2-167

Quarter-Turn Brass Ball  
Valve Lavatory Supply  
3/8" IPS x OD

Job Name:

Submittal Number:



NO.	DESCRIPTION	ROUGHING MEASUREMENTS		
		A	B	C
LFBV2-167	3/8" I.P.S. x 1/2" O.D.	1-3/8"	1-15/16"	1"

\* See options and accessories section for details on product variations.



## Specifications:

Supply kit shall include chrome plated, commercial pattern Quarter Turn Brass Ball Valve with convertible loose key handle, (chrome plated copper or stainless braided riser) and (shallow, deep, bell) (steel or brass) or (forged brass with set screw) flange. Inlet shall be 3/8" IPS. Outlet shall be 3/8" OD. Supply ket shall be McGuire \_\_\_\_\_. Supply kit shall be certified by recognized testing authority and bear manufacturer and testing mark.



### WARNING:

This product can expose you to chemicals including lead, which is known to the State of California to cause cancer, and birth defects or other reproductive harm. For more information go to [www.P65Warnings.ca.gov](http://www.P65Warnings.ca.gov).





**McGuire Manufacturing Co., Inc.**

60 Grandview Court  
 Cheshire, Connecticut 06410  
 (203) 699-1801 Fax (203) 699-1813  
 customerservice@mcguiremfg.com mcguiremfg.com

**PRODUCT SPECIFICATION**

**Part No.**

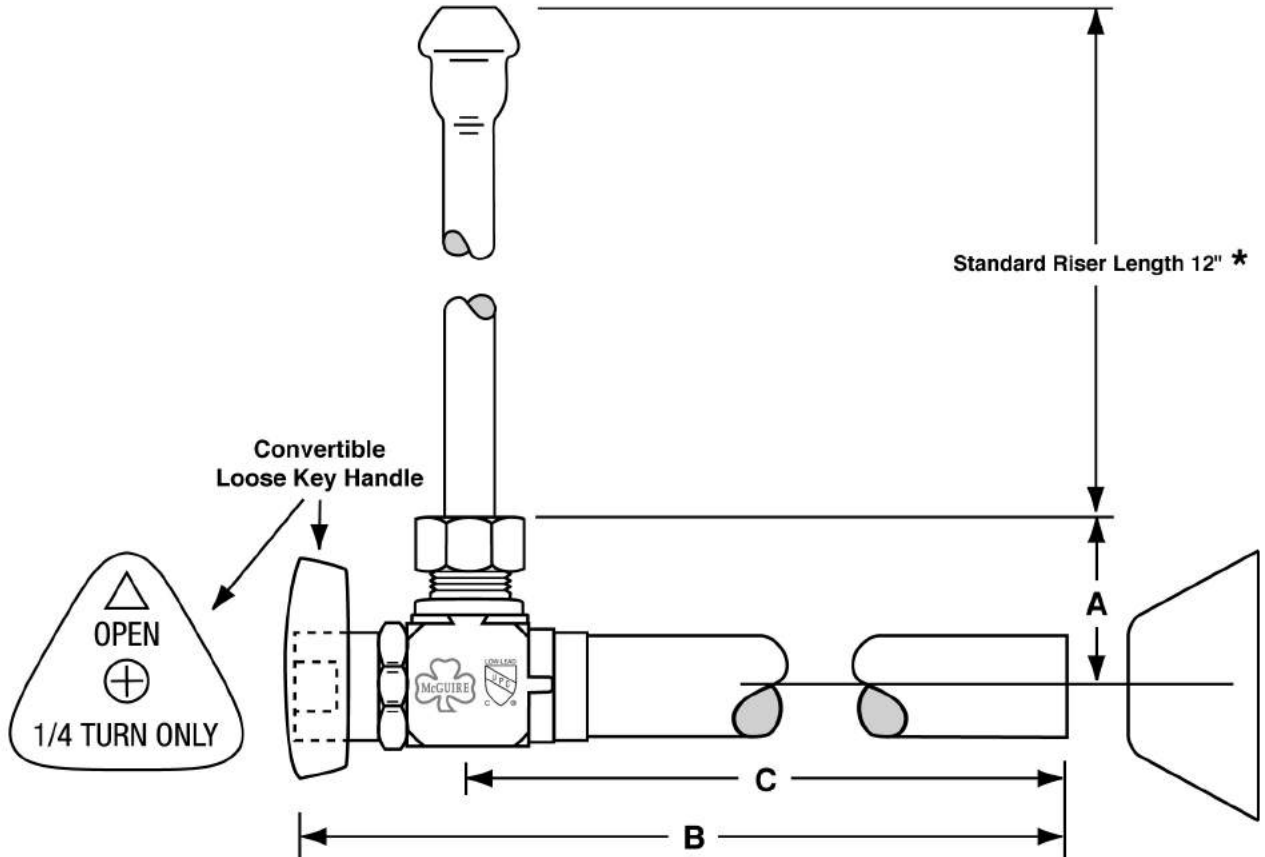
**LFBV2-170**

**Quarter-Turn Brass  
 Ball Valve Lavatory Supply  
 with 5" Extension**

**Job Name:**

**Submittal Number:**

**Convertible™**



NO.	DESCRIPTION	ROUGHING MEASUREMENTS		
		A	B	C
<b>LFBV2-170</b>	1/2" Copper Sweat w/5" Ext. x 3/8" O.D.	1-3/16"	6-3/4"	5-1/2"



\* See options and accessories section for details on product variations.

**Specifications:**

Supply kit shall include lead free chrome plated, commercial pattern Quarter-Turn Brass Ball Valve with convertible loose key handle (chrome plated copper, or braided stainless steel risers) and (shallow, deep, bell) (steel or brass) or (forged brass with set screw) flange. Inlet shall be (1/2) inch (IPS, sweat, compression). Outlet shall be (3/8) inch (compression). Supply kit shall be McGuire \_\_\_\_\_. Supply kit shall be certified by recognized authority and bear manufacturer and testing mark.



**WARNING:**

This product can expose you to chemicals including lead, which is known to the State of California to cause cancer, and birth defects or other reproductive harm. For more information go to [www.P65Warnings.ca.gov](http://www.P65Warnings.ca.gov).



**McGuire Manufacturing Co., Inc.**

60 Grandview Court

Cheshire, Connecticut 06410

(203) 699-1801 Fax (203) 699-1813

customerservice@mcguiremfg.com mcguiremfg.com

**PRODUCT SPECIFICATION**

**Part No.**

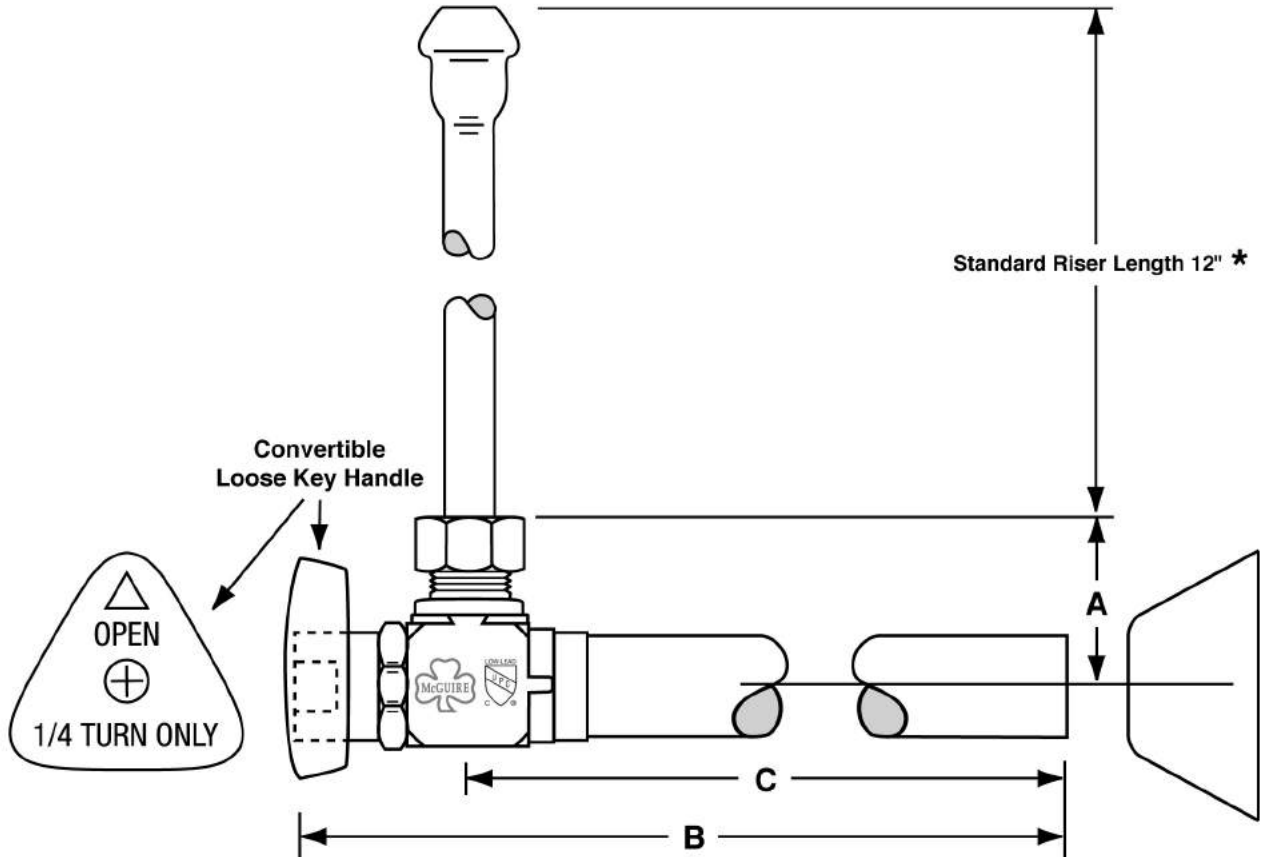
**LFBV2-171**

**Quarter-Turn Brass  
Ball Valve Lavatory Supply  
with 5" Extension**

**Job Name:**

**Submittal Number:**

# Convertible™



NO.	DESCRIPTION	ROUGHING MEASUREMENTS		
		A	B	C
<b>LFBV2-171</b>	1/2 Copper Sweat w/5" Ext. x 1/2 OD	1-3/16"	6-3/4"	5-1/2"



\* See options and accessories section for details on product variations.

## Specifications:

Supply kit shall include lead free chrome plated, commercial pattern Quarter-Turn Brass Ball Valve with convertible loose key handle (chrome plated copper, or braided stainless steel risers) and (shallow, deep, bell) (steel or brass) or (forged brass with set screw) flange. Inlet shall be (1/2) inch (IPS, sweat, compression). Outlet shall be (1/2) inch (compression). Supply kit shall be McGuire \_\_\_\_\_. Supply kit shall be certified by recognized authority and bear manufacturer and testing mark.



### WARNING:

This product can expose you to chemicals including lead, which is known to the State of California to cause cancer, and birth defects or other reproductive harm. For more information go to [www.P65Warnings.ca.gov](http://www.P65Warnings.ca.gov).



**McGuire Manufacturing Co., Inc.**

60 Grandview Court

Cheshire, Connecticut 06410

(203) 699-1801 Fax (203) 699-1813

customerservice@mcguiremfg.com mcguiremfg.com

**PRODUCT SPECIFICATION**

**Part No.**

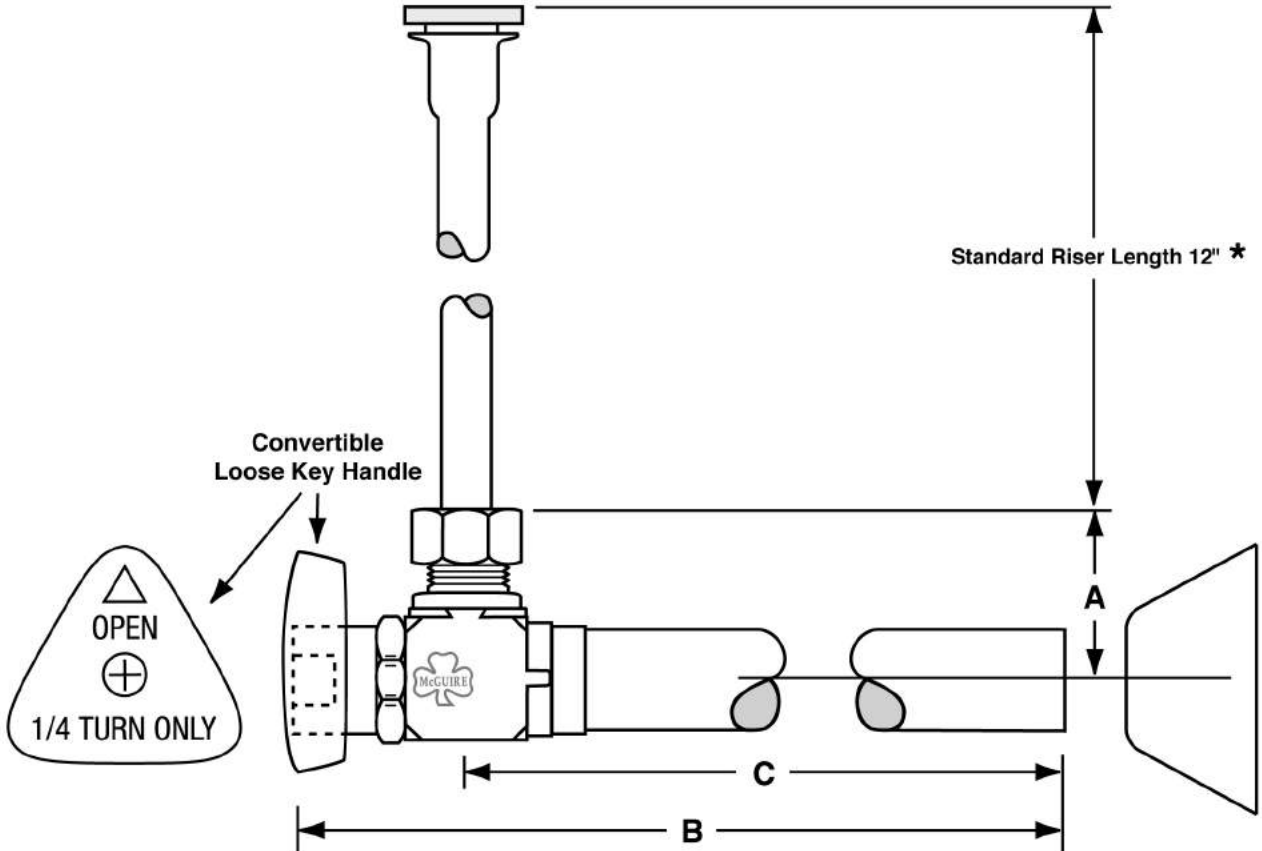
**LFBV2-172**

**Quarter-Turn Brass  
Ball Valve Closet Supply  
with 5" Extension**

**Job Name:**

**Submittal Number:**

# Convertible™



NO.	DESCRIPTION	ROUGHING MEASUREMENTS		
		A	B	C
<b>LFBV2-172</b>	1/2" Sweat with 5" Ext. x 3/8" O.D.	1-3/16"	6-3/4"	5-1/2"

\* See options and accessories section for details on product variations.



## Specifications:

Supply kits shall include lead free chrome plated, commercial pattern Quarter-Turn Brass Ball Valve with convertible loose key handle, (chrome plated copper or braided stainless risers) and (shallow, deep, bell) (steel or brass) or (forged brass with set screw) flange. Inlet shall be (1/2) inch (LPS, sweat, compression). Outlet shall be (3/8) inch (compression). Supply kit shall be McGuire \_\_\_\_\_ . Supply kit shall be certified by recognized authority and bear manufacturer and testing mark.



### WARNING:

This product can expose you to chemicals including lead, which is known to the State of California to cause cancer, and birth defects or other reproductive harm. For more information go to [www.P65Warnings.ca.gov](http://www.P65Warnings.ca.gov).



# McGuire Manufacturing Co., Inc.

60 Grandview Court  
 Cheshire, Connecticut 06410  
 (203) 699-1801 Fax (203) 699-1813  
 customerservice@mcguiremfg.com mcguiremfg.com

**Part No.**

**LFBV2-175**

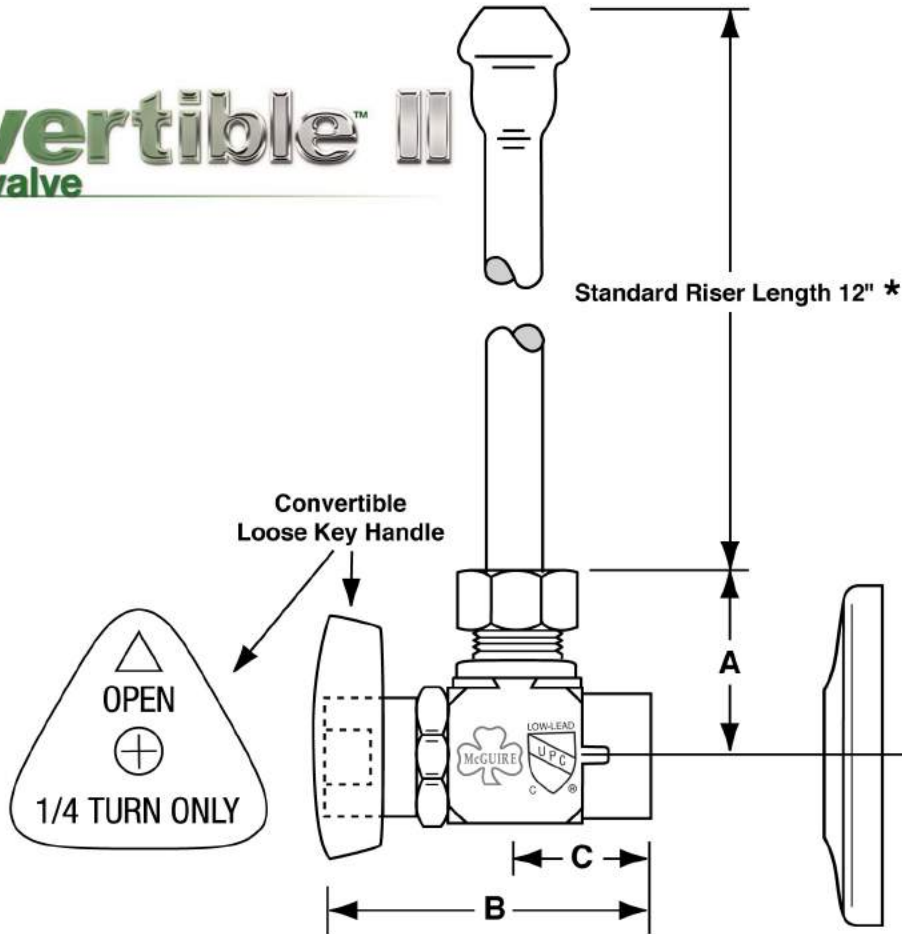
**Quarter-Turn Brass  
 Ball Valve Lavatory Supply**

## PRODUCT SPECIFICATION

**Job Name:**

**Submittal Number:**

**convertible II**  
 ball valve



NO.	DESCRIPTION	Roughing Measurements		
		A	B	C
LFBV2-175	1/2" Copper Sweat x 3/8" O.D.	1-1/4"	2-1/4"	13/16"



\* See options and accessories section for details on product variations.

### Specifications:

Supply kits shall include low lead chrome plated, commercial pattern Quarter-Turn Brass Ball Valve with convertible loose key handle, (chrome plated copper or braided stainless risers) and (shallow, deep, bell) (steel or brass) or (forged brass with set screw) flange. Inlet shall be (1/2) inch (IPS, sweat, compression). Outlet shall be (3/8) inch (compression). Supply kit shall be McGuire \_\_\_\_\_ . Supply kit shall be low lead certified by recognized authority and bear manufacturer and testing mark.



**WARNING:**

This product can expose you to chemicals including lead, which is known to the State of California to cause cancer, and birth defects or other reproductive harm. For more information go to [www.P65Warnings.ca.gov](http://www.P65Warnings.ca.gov).





**McGuire Manufacturing Co., Inc.**  
 60 Grandview Court  
 P.O. Box 746 • Cheshire, CT 06410  
 203-699-1801 • Fax: 203-699-1813  
 www.mcguiremfg.com

**PRODUCT SPECIFICATION**

**Part No.**

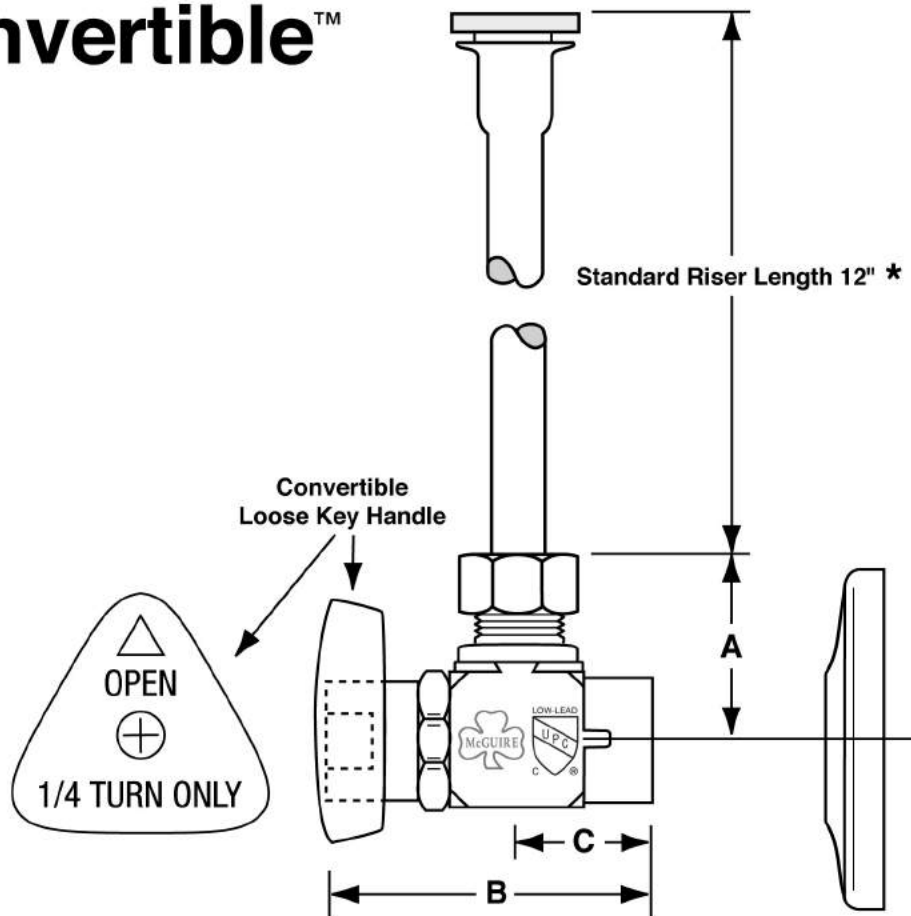
**LFBV2-185**

**Quarter-Turn Brass  
 Ball Valve Closet Supply**

**Job Name:**

**Submittal Number:**

**Convertible™**



NO.	DESCRIPTION	ROUGHING MEASUREMENTS		
		A	B	C
<b>LFBV2-185</b>	1/2" Sweat x 3/8" O.D.	1-3/16"	2-1/8"	13/16"



\* See options and accessories section for details on product variations.

**Specifications:**

Supply kits shall include lead free chrome plated, commercial pattern Quarter-Turn Brass Ball Valve with convertible loose key handle, (chrome plated copper or braided stainless risers) and (shallow, deep, bell) (steel or brass) or (forged brass with set screw) flange. Inlet shall be (1/2) inch (IPS, sweat, compression). Outlet shall be (3/8) inch (compression). Supply kit shall be McGuire \_\_\_\_\_ . Supply kit shall be certified by recognized authority and bear manufacturer and testing mark.



**WARNING:**

This product can expose you to chemicals including lead, which is known to the State of California to cause cancer, and birth defects or other reproductive harm. For more information go to [www.P65Warnings.ca.gov](http://www.P65Warnings.ca.gov).



# McGuire Manufacturing Co., Inc.

60 Grandview Court  
Cheshire, Connecticut 06410  
(203) 699-1801 Fax (203) 699-1813  
customerservice@mcguiremfg.com mcguiremfg.com

## PRODUCT SPECIFICATION

Part No.

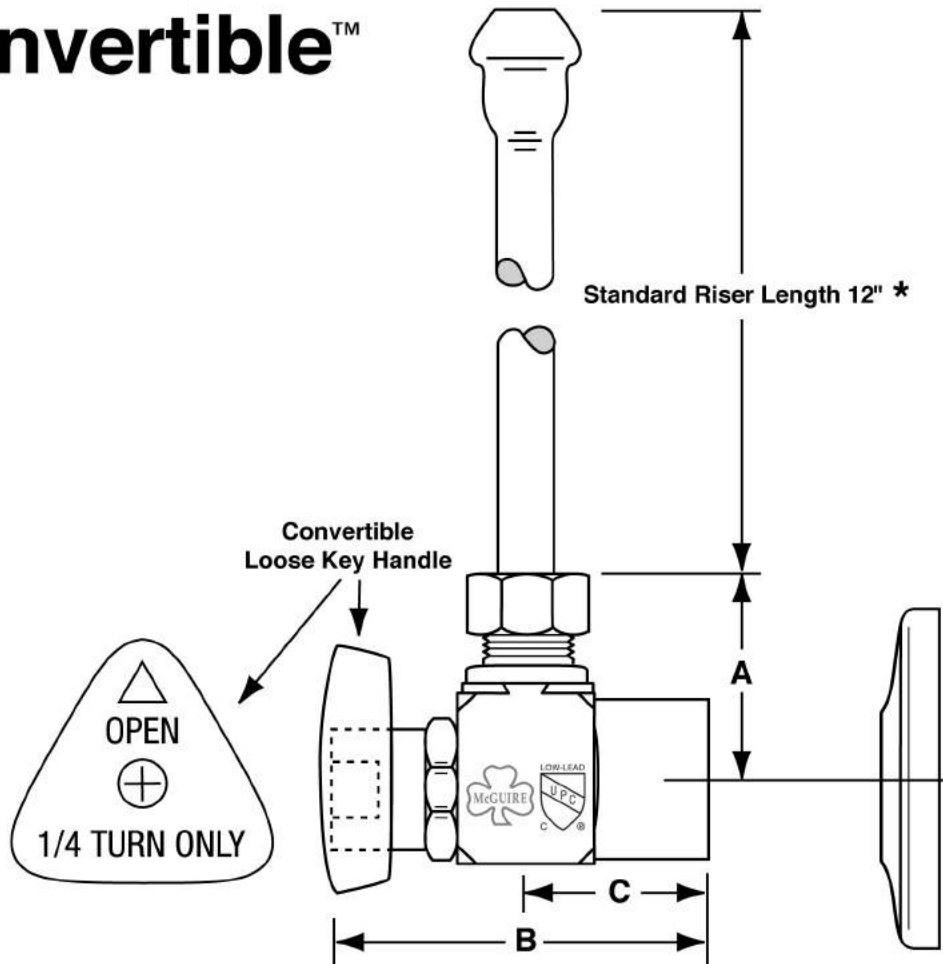
**LFBV2-2165**

**Quarter-Turn Brass  
Ball Valve Lavatory Supply**

**Job Name:**

**Submittal Number:**

# Convertible™



NO.	DESCRIPTION	ROUGHING MEASUREMENTS		
		A	B	C
LFBV2-2165	1/2" I.P.S. x 3/8" O.D.	1-3/16"	2-3/16"	1"

\* See options and accessories section for details on product variations.



## Specifications:

Supply kits shall include lead free chrome plated, commercial pattern Quarter-Turn Brass Ball Valve with convertible loose key handle, (chrome plated copper or braided stainless risers) and (shallow, deep, bell) (steel or brass) or (forged brass with set screw) flange. Inlet shall be (1/2) inch (IPS, sweat, compression). Outlet shall be (3/8) inch (compression). Supply kit shall be McGuire \_\_\_\_\_ . Supply kit shall be certified by recognized authority and bear manufacturer and testing mark.

### **WARNING:**

This product can expose you to chemicals including lead, which is known to the State of California to cause cancer, and birth defects or other reproductive harm. For more information go to [www.P65Warnings.ca.gov](http://www.P65Warnings.ca.gov).



**McGuire Manufacturing Co., Inc.**

60 Grandview Court  
 Cheshire, Connecticut 06410  
 (203) 699-1801 Fax (203) 699-1813  
 customerservice@mcguiremfg.com mcguiremfg.com

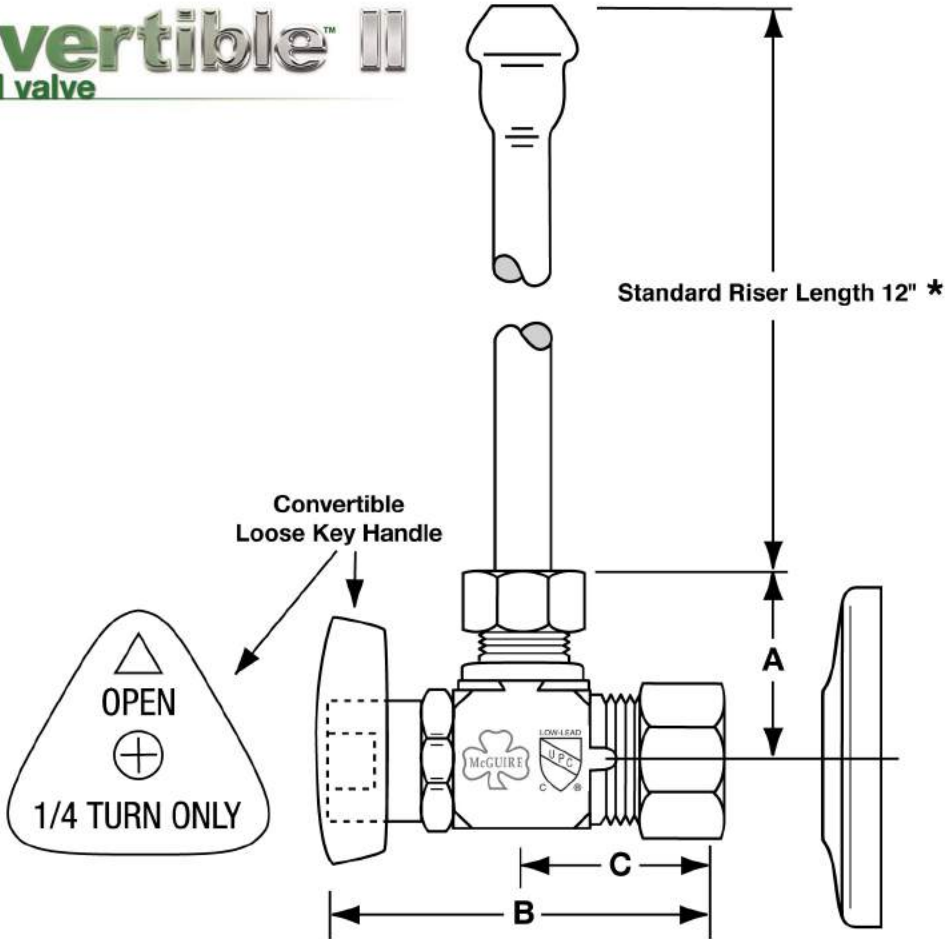
<b>Part No.</b>
<b>LFBV2-2165CC</b>
<b>Quarter-Turn Brass Ball Valve Lavatory Supply</b>

**PRODUCT SPECIFICATION**

**Job Name:** \_\_\_\_\_

**Submittal Number:** \_\_\_\_\_

**convertible™ II**  
ball valve



NO.	DESCRIPTION	ROUGHING MEASUREMENTS		
		A	B	C
LFBV2-2165CC	1/2" Nominal x 3/8" O.D.	1-3/16"	2-1/2"	1-1/4"

\* See options and accessories section for details on product variations.



**Specifications:**

Supply kit shall include lead free chrome plated, commercial pattern Quarter-Turn Brass Ball Valve with convertible loose key handle (chrome plated copper, or braided stainless steel risers) and (shallow, deep, bell) (steel or brass) or (forged brass with set screw) flange. Inlet shall be (1/2) inch (IPS, sweat, compression). Outlet shall be (3/8) inch (compression). Supply kit shall be McGuire \_\_\_\_\_. Supply kit shall be certified by recognized authority and bear manufacturer and testing mark.

**WARNING:**

This product can expose you to chemicals including lead, which is known to the State of California to cause cancer, and birth defects or other reproductive harm. For more information go to [www.P65Warnings.ca.gov](http://www.P65Warnings.ca.gov).



**McGuire Manufacturing Co., Inc.**

60 Grandview Court

Cheshire, Connecticut 06410

(203) 699-1801 Fax (203) 699-1813

customerservice@mcguiremfg.com mcguiremfg.com

**PRODUCT SPECIFICATION**

**Part No.**

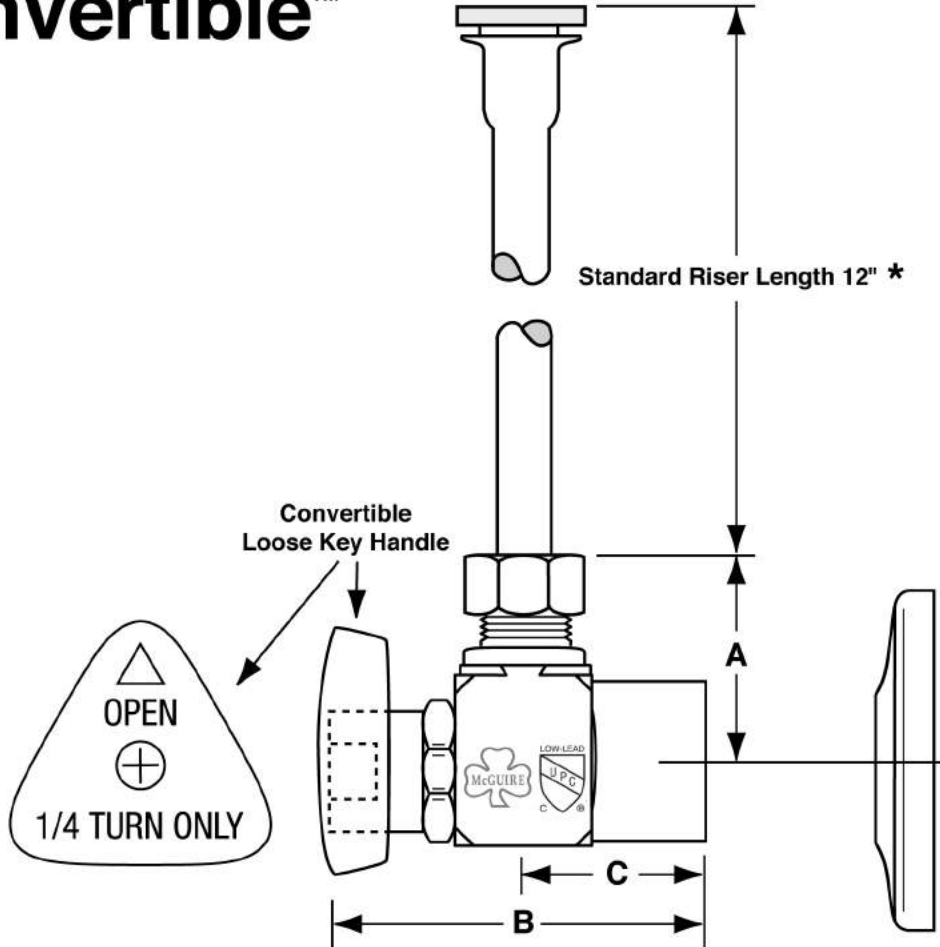
**LFBV2-2166**

**Quarter-Turn Brass  
Ball Valve Closet Supply**

**Job Name:**

**Submittal Number:**

# Convertible™



NO.	DESCRIPTION	ROUGHING MEASUREMENTS		
		A	B	C
LFBV2-2166	1/2" I.P.S. x 3/8" O.D.	1-3/16"	2-3/16"	1"

\* See options and accessories section for details on product variations.



## Specifications:

Supply kit shall include lead free chrome plated, commercial pattern Quarter-Turn Brass Ball Valve with convertible loose key handle (chrome plated copper, or braided stainless steel risers) and (shallow, deep, bell) (steel or brass) or (forged brass with set screw) flange. Inlet shall be (1/2) inch (IPS, sweat, compression). Outlet shall be (3/8) inch (compression). Supply kit shall be McGuire \_\_\_\_\_ . Supply kit shall be certified by recognized authority and bear manufacturer and testing mark.

### **WARNING:**

This product can expose you to chemicals including lead, which is known to the State of California to cause cancer, and birth defects or other reproductive harm. For more information go to [www.P65Warnings.ca.gov](http://www.P65Warnings.ca.gov).





**McGuire Manufacturing Co., Inc.**

60 Grandview Court

Cheshire, Connecticut 06410

(203) 699-1801 Fax (203) 699-1813

customerservice@mcguiremfg.com mcguiremfg.com

**PRODUCT SPECIFICATION**

**Part No.**

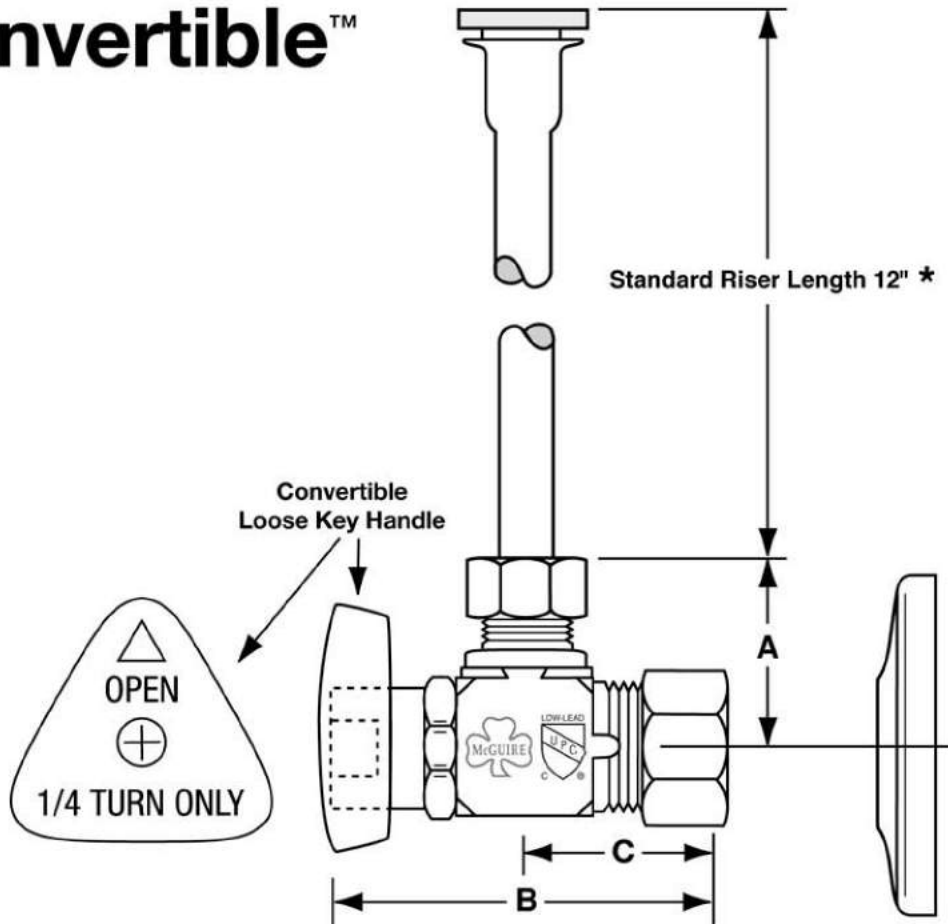
**LFBV2-2166CC**

**Quarter-Turn Brass  
Ball Valve Closet Supply**

**Job Name:**

**Submittal Number:**

**Convertible™**



NO.	DESCRIPTION	ROUGHING MEASUREMENTS		
		A	B	C
LFBV2-2166CC	1/2" Nominal x 3/8" O.D.	1-3/16"	2-1/2"	1-1/4"

\* See options and accessories section for details on product variations.



**Specifications:**

Supply kit shall include lead free chrome plated, commercial pattern Quarter-Turn Brass Ball Valve with convertible loose key handle (chrome plated copper, or braided stainless steel risers) and (shallow, deep, bell) (steel or brass) or (forged brass with set screw) flange. Inlet shall be (1/2) inch (IPS, sweat, compression). Outlet shall be (3/8) inch (compression). Supply kit shall be McGuire \_\_\_\_\_ . Supply kit shall be certified by recognized authority and bear manufacturer and testing mark.

**WARNING:**

This product can expose you to chemicals including lead, which is known to the State of California to cause cancer, and birth defects or other reproductive harm. For more information go to [www.P65Warnings.ca.gov](http://www.P65Warnings.ca.gov).



# McGuire Manufacturing Co., Inc.

60 Grandview Court  
Cheshire, Connecticut 06410  
(203) 699-1801 Fax (203) 699-1813  
customerservice@mcguiremfg.com mcguiremfg.com

## PRODUCT SPECIFICATION

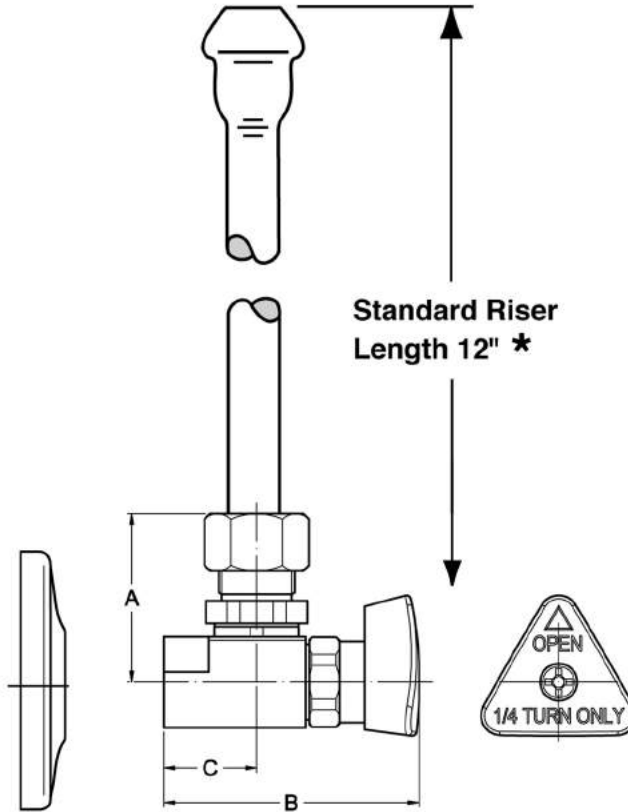
Part No.

# LFBV2-2167

## Lavatory Supply 1/2" I.P.S. x O.D.

Job Name:

Submittal Number:



NO.	DESCRIPTION	ROUGHING MEASUREMENTS		
		A	B	C
LFBV2-2167	1/2" I.P.S. x 1/2" O.D.	1-5/16"	2-3/8"	15/16"

- Rated Operating Pressure: 20-125 PSI
- Rated Operating Temperature: 40-140°F
- Note: 180°F max. during temporary high-temperature system flush



ASME A112.18.2

\* See options and accessories section for details on product variations.

## Specifications:

Supply kit shall include lead free chrome plated brass supply stop valves with full turn brass stem, no plastic, (12, 15, 20) inch chrome plated risers and (shallow, deep, bell) (steel, brass) or (forged brass with set screw) flange. Inlet shall be (3/8, 1/2) inch (IPS, compression). Outlet shall be (3/8, 1/2) inch compression. Supply kit shall be McGuire \_\_\_\_\_ . Supply kit shall be certified by recognized authority and bear manufacturer and testing mark.



### WARNING:

This product can expose you to chemicals including lead, which is known to the State of California to cause cancer, and birth defects or other reproductive harm. For more information go to [www.P65Warnings.ca.gov](http://www.P65Warnings.ca.gov).





**McGuire Manufacturing Co., Inc.**

60 Grandview Court

Cheshire, Connecticut 06410

(203) 699-1801 Fax (203) 699-1813

customerservice@mcguiremfg.com mcguiremfg.com

**PRODUCT SPECIFICATION**

**Part No.**

**LFBV2-3165CC**

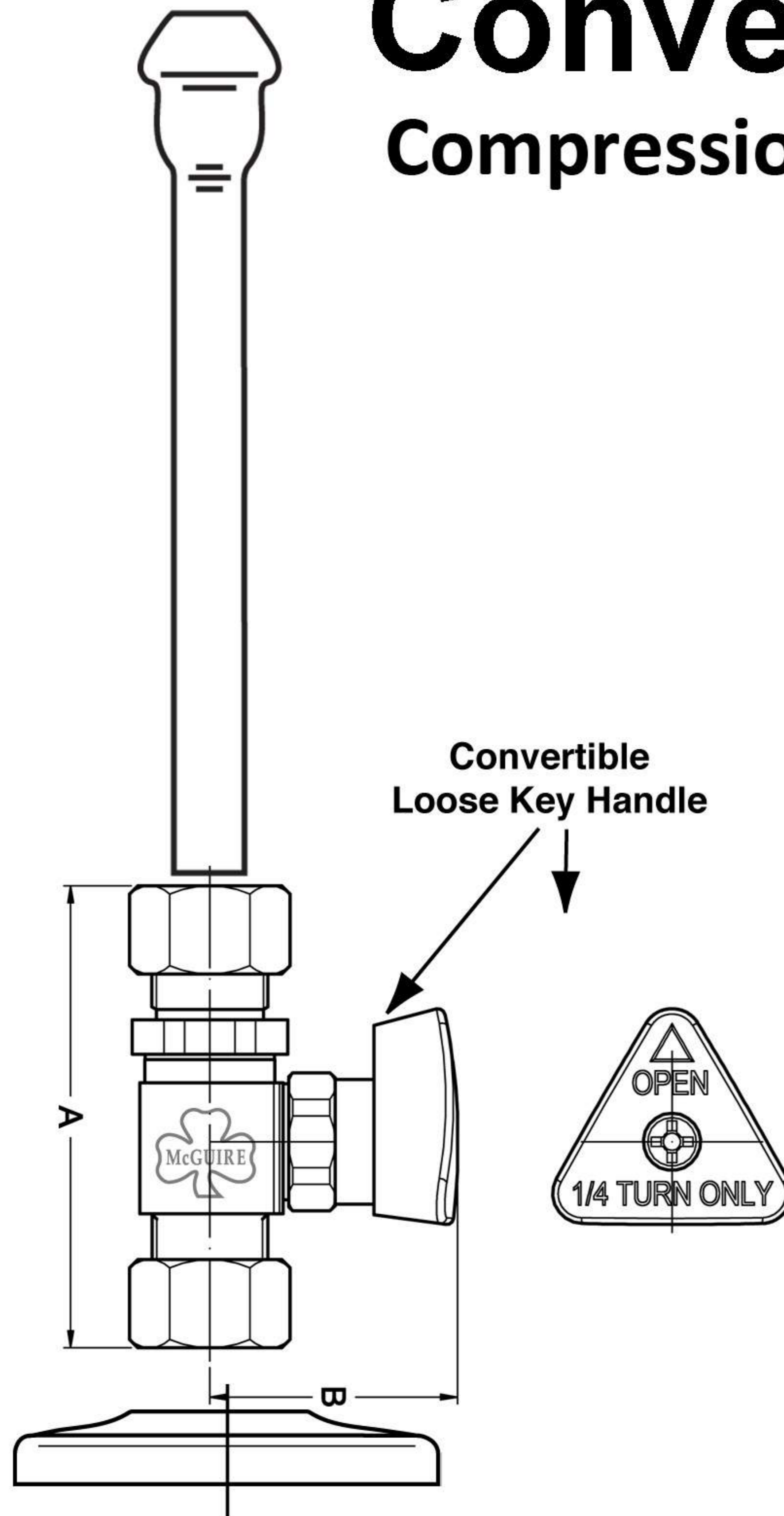
**Straight Lavatory Supply Kit  
NOMINAL x O.D.**

**Job Name:**

**Submittal Number:**

# Convertible™ II

## Compression x Compression



Model No.	Description	Roughing Measurements	
		A	B
LF3165CC	1/2" NOMINAL x 3/8" OD STD	2-1/2"	1-1/2"

**LK** designates *Loose Key*

See options and accessories section for details on product variations.



### Specifications:

Supply kit shall include lead free chrome plated supply brass stop valves with quarter turn all brass stem, no plastic, (12) inch chrome plated risers and (shallow) (steel) flange. Inlet shall be (1/2) inch nominal. Outlet shall be (3/8) inch OD Supply kit shall be McGuire \_\_\_\_\_. Supply kit shall be certified by recognized authority and bear manufacturer and testing mark.



**WARNING:**

This product can expose you to chemicals including lead, which is known to the State of California to cause cancer, and birth defects or other reproductive harm. For more information go to [www.P65Warnings.ca.gov](http://www.P65Warnings.ca.gov).





# McGuire Manufacturing Co., Inc.

60 Grandview Court  
Cheshire, Connecticut 06410  
(203) 699-1801 Fax (203) 699-1813  
customerservice@mcguiremfg.com mcguiremfg.com

## PRODUCT SPECIFICATION

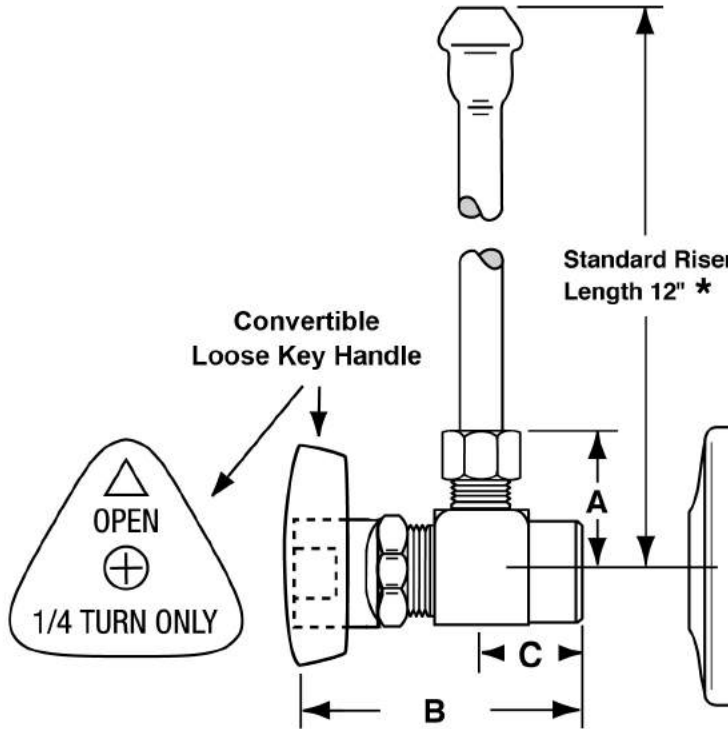
Part No.

LFBV165

Quarter-Turn Brass Ball  
Valve Lavatory Supply  
3/8" IPS x OD

Job Name:

Submittal Number:



NO.	DESCRIPTION	ROUGHING MEASUREMENTS		
		A	B	C
LFBV165	3/8" I.P.S. x 3/8" O.D.	1-3/8"	1-15/16"	1"



\* See options and accessories section for details on product variations.

## Specifications:

Supply kit shall include chrome plated, commercial pattern Quarter Turn Brass Ball Valve with convertible loose key handle, (chrome plated copper or stainless braided riser) and (shallow, deep, bell) (steel or brass) or (forged brass with set screw) flange. Inlet shall be 3/8" IPS. Outlet shall be 3/8" OD. Supply ket shall be McGuire \_\_\_\_\_ . Supply kit shall be certified by recognized testing authority and bear manufacturer and testing mark.



### WARNING:

This product can expose you to chemicals including lead, which is known to the State of California to cause cancer, and birth defects or other reproductive harm. For more information go to [www.P65Warnings.ca.gov](http://www.P65Warnings.ca.gov).





# McGuire Manufacturing Co., Inc.

60 Grandview Court  
Cheshire, Connecticut 06410  
(203) 699-1801 Fax (203) 699-1813  
customerservice@mcguiremfg.com mcguiremfg.com

## PRODUCT SPECIFICATION

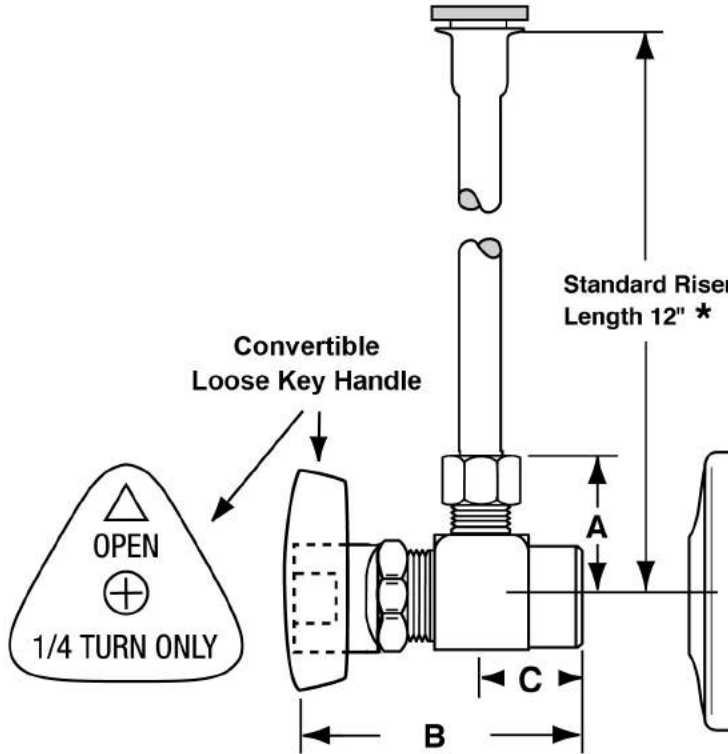
Part No.

LFBV166

Quarter-Turn Brass Ball  
Valve Closet Supply  
3/8" IPS x OD

Job Name:

Submittal Number:



NO.	DESCRIPTION	ROUGHING MEASUREMENTS		
		A	B	C
LFBV166	3/8" I.P.S. x 3/8" O.D.	1-3/8"	1-15/16"	1"



\* See options and accessories section for details on product variations.

## Specifications:

Supply kit shall include chrome plated, commercial pattern Quarter Turn Brass Ball Valve with convertible loose key handle, (chrome plated copper or stainless braided riser) and (shallow, deep, bell) (steel or brass) or (forged brass with set screw) flange. Inlet shall be 3/8" IPS. Outlet shall be 3/8" OD. Supply kit shall be McGuire \_\_\_\_\_ . Supply kit shall be certified by recognized testing authority and bear manufacturer and testing mark.



### WARNING:

This product can expose you to chemicals including lead, which is known to the State of California to cause cancer, and birth defects or other reproductive harm. For more information go to [www.P65Warnings.ca.gov](http://www.P65Warnings.ca.gov).



**McGuire Manufacturing Co., Inc.**

60 Grandview Court  
 Cheshire, Connecticut 06410  
 (203) 699-1801 Fax (203) 699-1813  
 customerservice@mcguiremfg.com mcguiremfg.com

**PRODUCT SPECIFICATION**

**Part No.**

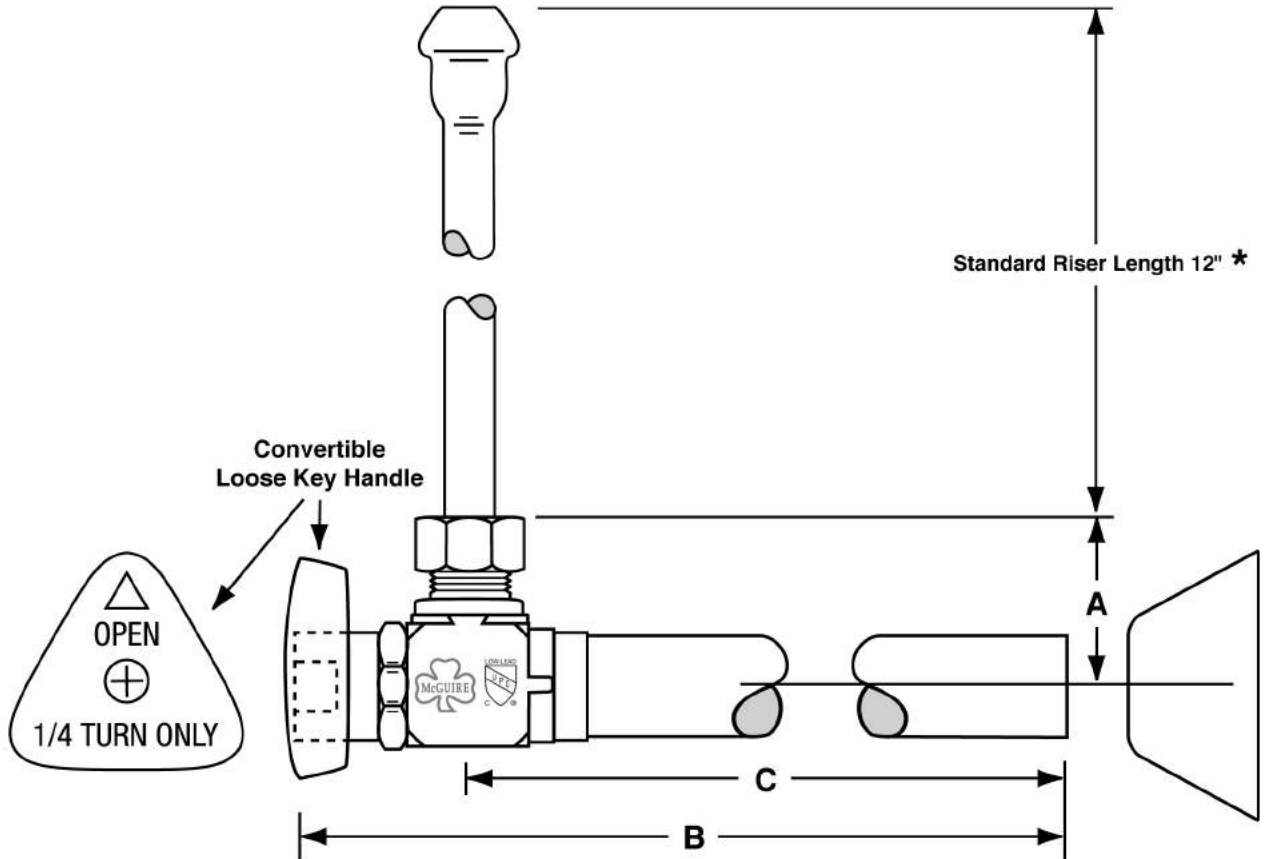
**LFBV170**

**Quarter-Turn Brass  
 Ball Valve Lavatory Supply  
 with 5" Extension**

**Job Name:** \_\_\_\_\_

**Submittal Number:** \_\_\_\_\_

**Convertible™**



NO.	DESCRIPTION	ROUGHING MEASUREMENTS		
		A	B	C
<b>LFBV170</b>	1/2" Copper Sweat w/5" Ext. x 3/8" O.D.	1-3/16"	6-3/4"	5-1/2"



\* See options and accessories section for details on product variations.

**Specifications:**

Supply kit shall include lead free chrome plated, commercial pattern Quarter-Turn Brass Ball Valve with convertible loose key handle (chrome plated copper, or braided stainless steel risers) and (shallow, deep, bell) (steel or brass) or (forged brass with set screw) flange. Inlet shall be (1/2) inch (IPS, sweat, compression). Outlet shall be (3/8) inch (compression). Supply kit shall be McGuire \_\_\_\_\_. Supply kit shall be certified by recognized authority and bear manufacturer and testing mark.



**WARNING:**

This product can expose you to chemicals including lead, which is known to the State of California to cause cancer, and birth defects or other reproductive harm. For more information go to [www.P65Warnings.ca.gov](http://www.P65Warnings.ca.gov).



**McGuire Manufacturing Co., Inc.**  
 60 Grandview Court  
 Cheshire, Connecticut 06410  
 (203) 699-1801 Fax (203) 699-1813  
 customerservice@mcguiremfg.com mcguiremfg.com

**PRODUCT SPECIFICATION**

**Part No.**

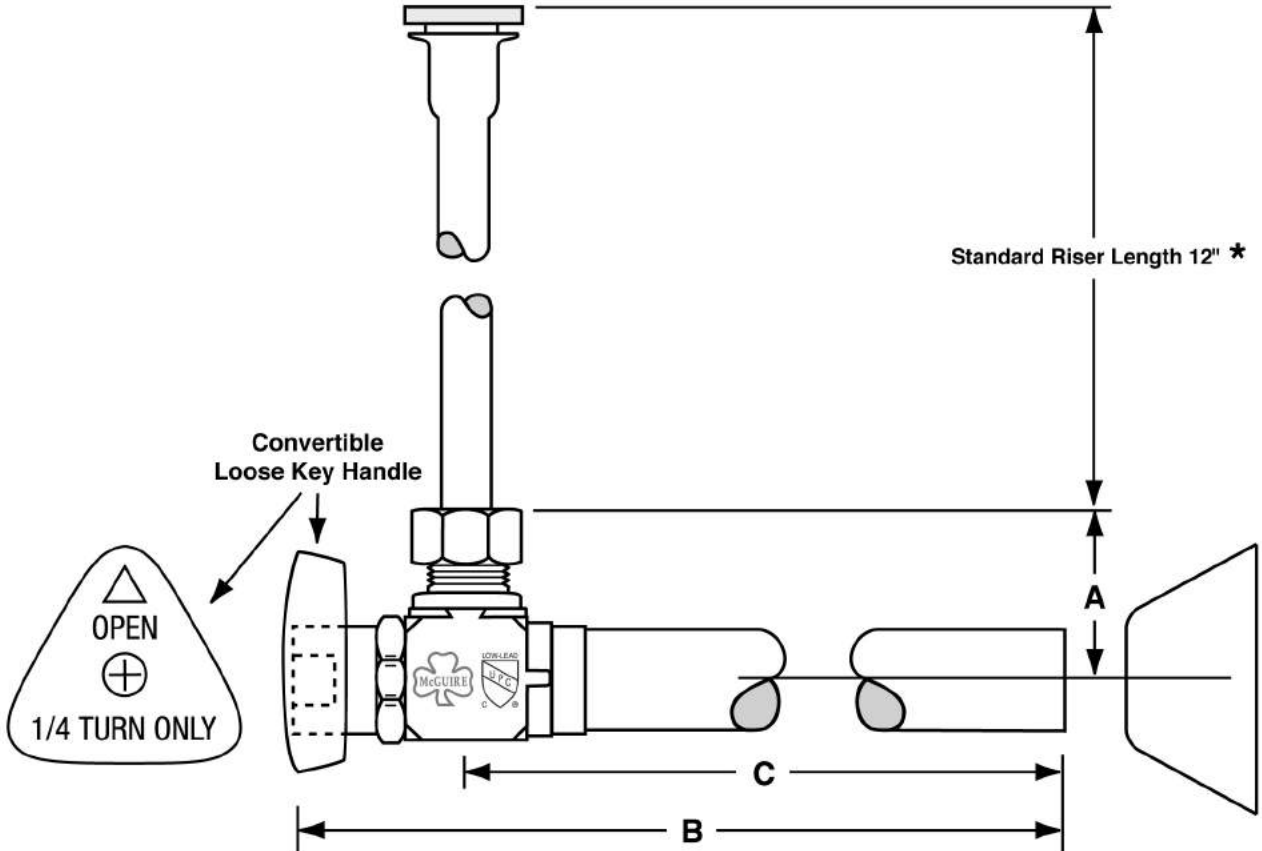
**LFBV172**

**Quarter-Turn Brass  
 Ball Valve Closet Supply  
 with 5" Extension**

**Job Name:**

**Submittal Number:**

**Convertible™**



NO.	DESCRIPTION	ROUGHING MEASUREMENTS		
		A	B	C
<b>LFBV172</b>	1/2" Sweat with 5" Ext. x 3/8" O.D.	1-3/16"	6-3/4"	5-1/2"

\* See options and accessories section for details on product variations.



**Specifications:**

Supply kits shall include lead free chrome plated, commercial pattern Quarter-Turn Brass Ball Valve with convertible loose key handle, (chrome plated copper or braided stainless risers) and (shallow, deep, bell) (steel or brass) or (forged brass with set screw) flange. Inlet shall be (1/2) inch (LPS, sweat, compression). Outlet shall be (3/8) inch (compression). Supply kit shall be McGuire \_\_\_\_\_. Supply kit shall be certified by recognized authority and bear manufacturer and testing mark.



**WARNING:**

This product can expose you to chemicals including lead, which is known to the State of California to cause cancer, and birth defects or other reproductive harm. For more information go to [www.P65Warnings.ca.gov](http://www.P65Warnings.ca.gov).



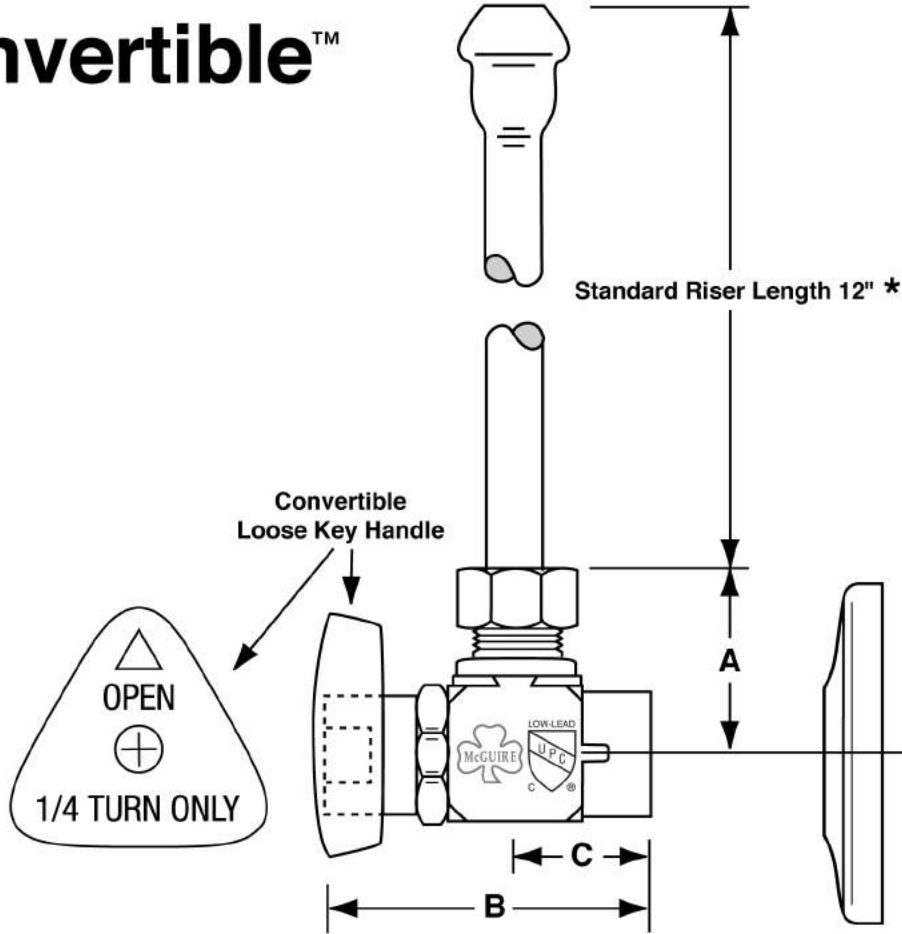
**McGuire Manufacturing Co., Inc.**  
 60 Grandview Court  
 Cheshire, Connecticut 06410  
 (203) 699-1801 Fax (203) 699-1813  
 customerservice@mcguiremfg.com mcguiremfg.com  
**PRODUCT SPECIFICATION**

**Part No.**  
**LFBV175**  
**Quarter-Turn Brass**  
**Ball Valve Lavatory Supply**

**Job Name:**

**Submittal Number:**

# Convertible™



NO.	DESCRIPTION	ROUGHING MEASUREMENTS		
		A	B	C
<b>LFBV175</b>	1/2" Copper Sweat x 3/8" O.D.	1-3/16"	2-1/8"	13/16"

\* See options and accessories section for details on product variations.



## Specifications:

Supply kits shall include low lead chrome plated, commercial pattern Quarter-Turn Brass Ball Valve with convertible loose key handle, (chrome plated copper or braided stainless risers) and (shallow, deep, bell) (steel or brass) or (forged brass with set screw) flange. Inlet shall be (1/2) inch (IPS, sweat, compression). Outlet shall be (3/8) inch (compression). Supply kit shall be McGuire \_\_\_\_\_ . Supply kit shall be low lead certified by recognized authority and bear manufacturer and testing mark.



### WARNING:

This product can expose you to chemicals including lead, which is known to the State of California to cause cancer, and birth defects or other reproductive harm. For more information go to [www.P65Warnings.ca.gov](http://www.P65Warnings.ca.gov).





**McGuire Manufacturing Co., Inc.**  
 60 Grandview Court  
 P.O. Box 746 • Cheshire, CT 06410  
 203-699-1801 • Fax: 203-699-1813  
 www.mcguiremfg.com

**PRODUCT SPECIFICATION**

**Part No.**

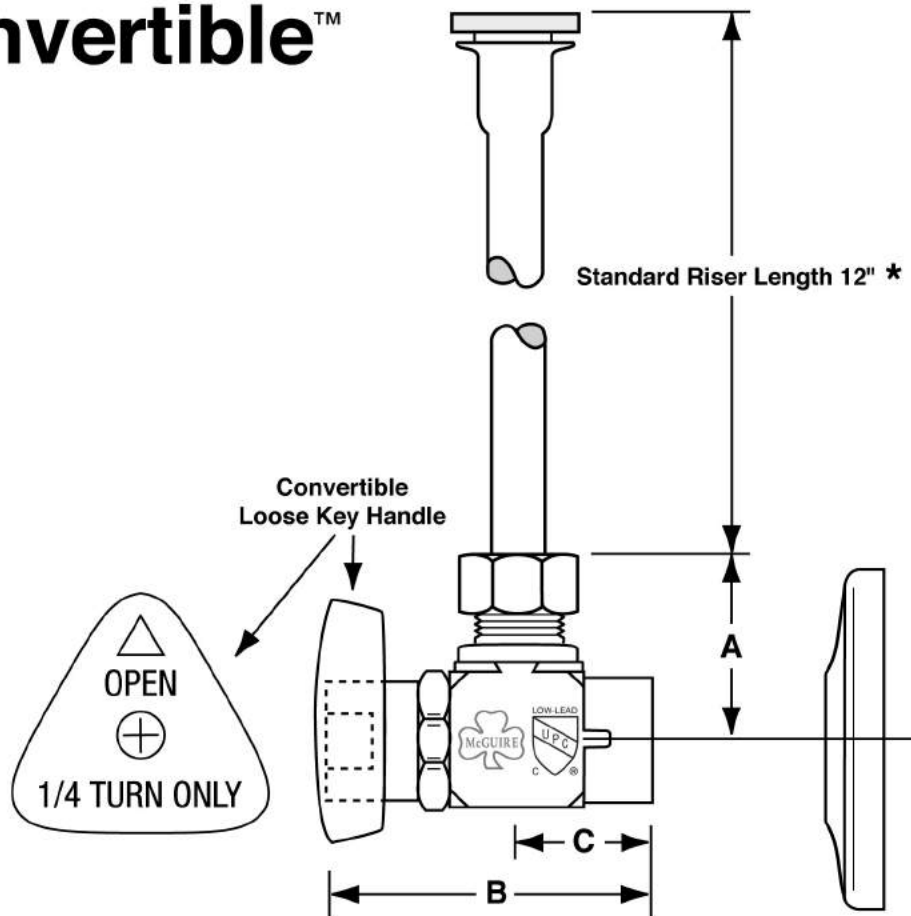
**LFBV185**

**Quarter-Turn Brass  
 Ball Valve Closet Supply**

**Job Name:**

**Submittal Number:**

**Convertible™**



NO.	DESCRIPTION	ROUGHING MEASUREMENTS		
		A	B	C
<b>LFBV185</b>	1/2" Sweat x 3/8" O.D.	1-3/16"	2-1/8"	13/16"



ASME A112.18.1

\* See options and accessories section for details on product variations.

**Specifications:**

Supply kits shall include lead free chrome plated, commercial pattern Quarter-Turn Brass Ball Valve with convertible loose key handle, (chrome plated copper or braided stainless risers) and (shallow, deep, bell) (steel or brass) or (forged brass with set screw) flange. Inlet shall be (1/2) inch (IPS, sweat, compression). Outlet shall be (3/8) inch (compression). Supply kit shall be McGuire \_\_\_\_\_ . Supply kit shall be certified by recognized authority and bear manufacturer and testing mark.



**WARNING:**

This product can expose you to chemicals including lead, which is known to the State of California to cause cancer, and birth defects or other reproductive harm. For more information go to [www.P65Warnings.ca.gov](http://www.P65Warnings.ca.gov).



**McGuire Manufacturing Co., Inc.**

60 Grandview Court  
 Cheshire, Connecticut 06410  
 (203) 699-1801 Fax (203) 699-1813  
 customerservice@mcguiremfg.com mcguiremfg.com

**PRODUCT SPECIFICATION**

**Part No.**

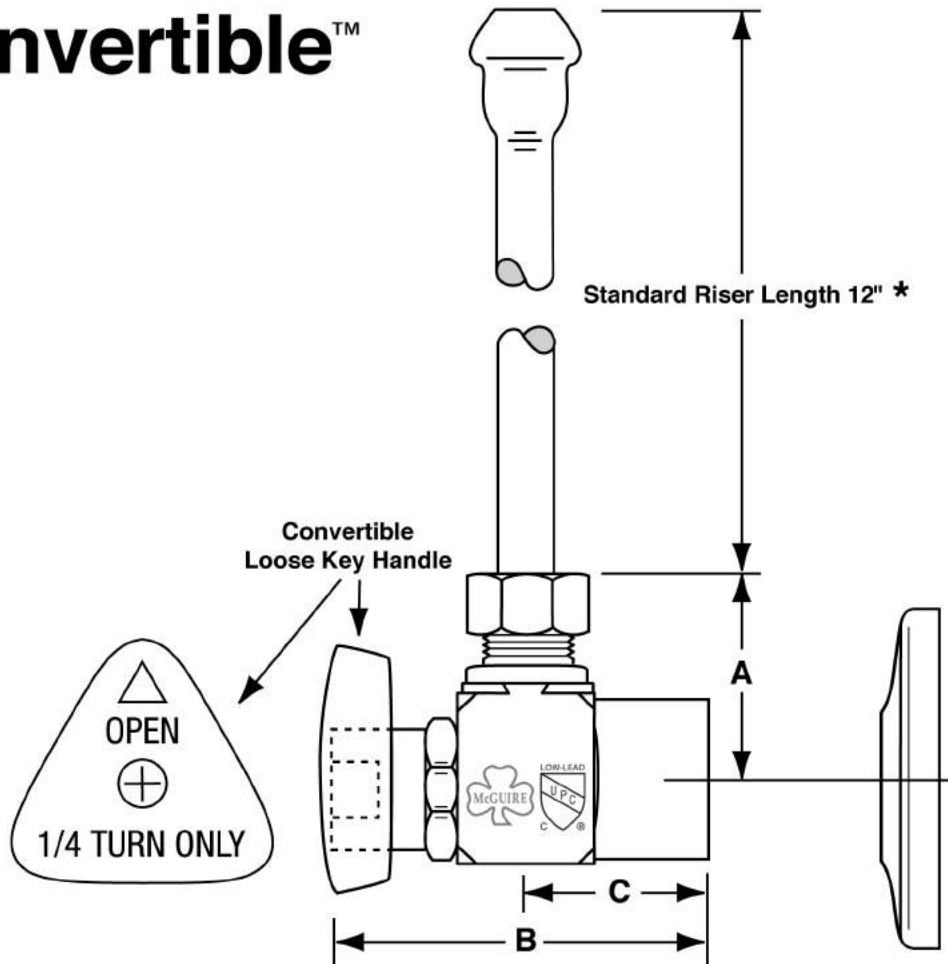
**LFBV2165**

**Quarter-Turn Brass  
 Ball Valve Lavatory Supply**

**Job Name:**

**Submittal Number:**

**Convertible™**



NO.	DESCRIPTION	ROUGHING MEASUREMENTS		
		A	B	C
LFBV2165	1/2" I.P.S. x 3/8" O.D.	1-3/16"	2-3/16"	1"

\* See options and accessories section for details on product variations.



**Specifications:**

Supply kits shall include lead free chrome plated, commercial pattern Quarter-Turn Brass Ball Valve with convertible loose key handle, (chrome plated copper or braided stainless risers) and (shallow, deep, bell) (steel or brass) or (forged brass with set screw) flange. Inlet shall be (1/2) inch (IPS, sweat, compression). Outlet shall be (3/8) inch (compression). Supply kit shall be McGuire \_\_\_\_\_ . Supply kit shall be certified by recognized authority and bear manufacturer and testing mark.

**! WARNING:**

This product can expose you to chemicals including lead, which is known to the State of California to cause cancer, and birth defects or other reproductive harm. For more information go to [www.P65Warnings.ca.gov](http://www.P65Warnings.ca.gov).



**McGuire Manufacturing Co., Inc.**

60 Grandview Court  
 Cheshire, Connecticut 06410  
 (203) 699-1801 Fax (203) 699-1813  
 customerservice@mcguiremfg.com mcguiremfg.com

**Part No.**

**LFBV2165CC**

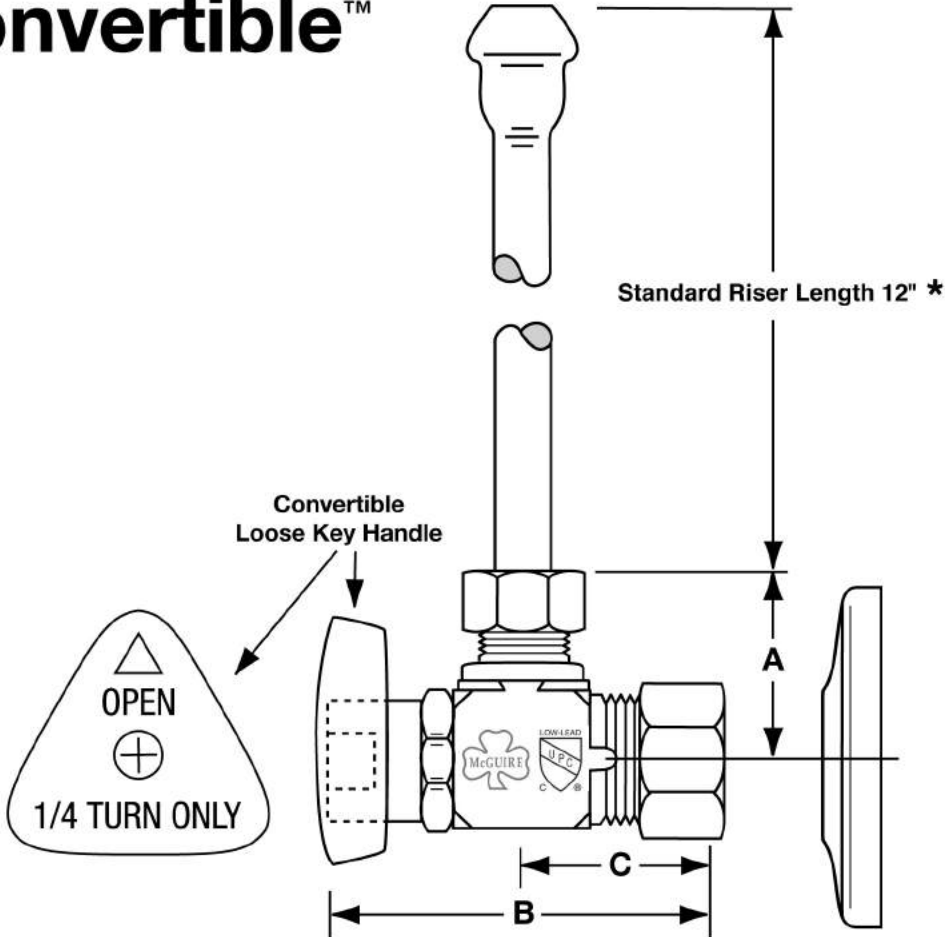
**Quarter-Turn Brass  
 Ball Valve Lavatory Supply**

**PRODUCT SPECIFICATION**

**Job Name:**

**Submittal Number:**

**Convertible™**



NO.	DESCRIPTION	ROUGHING MEASUREMENTS		
		A	B	C
LFBV2165CC	1/2" Nominal x 3/8" O.D.	1-3/16"	2-1/2"	1-1/4"

\* See options and accessories section for details on product variations.



**Specifications:**

Supply kit shall include lead free chrome plated, commercial pattern Quarter-Turn Brass Ball Valve with convertible loose key handle (chrome plated copper, or braided stainless steel risers) and (shallow, deep, bell) (steel or brass) or (forged brass with set screw) flange. Inlet shall be (1/2) inch (IPS, sweat, compression). Outlet shall be (3/8) inch (compression). Supply kit shall be McGuire \_\_\_\_\_ . Supply kit shall be certified by recognized authority and bear manufacturer and testing mark.

**! WARNING:**

This product can expose you to chemicals including lead, which is known to the State of California to cause cancer, and birth defects or other reproductive harm. For more information go to [www.P65Warnings.ca.gov](http://www.P65Warnings.ca.gov).



**McGuire Manufacturing Co., Inc.**

60 Grandview Court

Cheshire, Connecticut 06410

(203) 699-1801 Fax (203) 699-1813

customerservice@mcguiremfg.com mcguiremfg.com

**PRODUCT SPECIFICATION**

**Part No.**

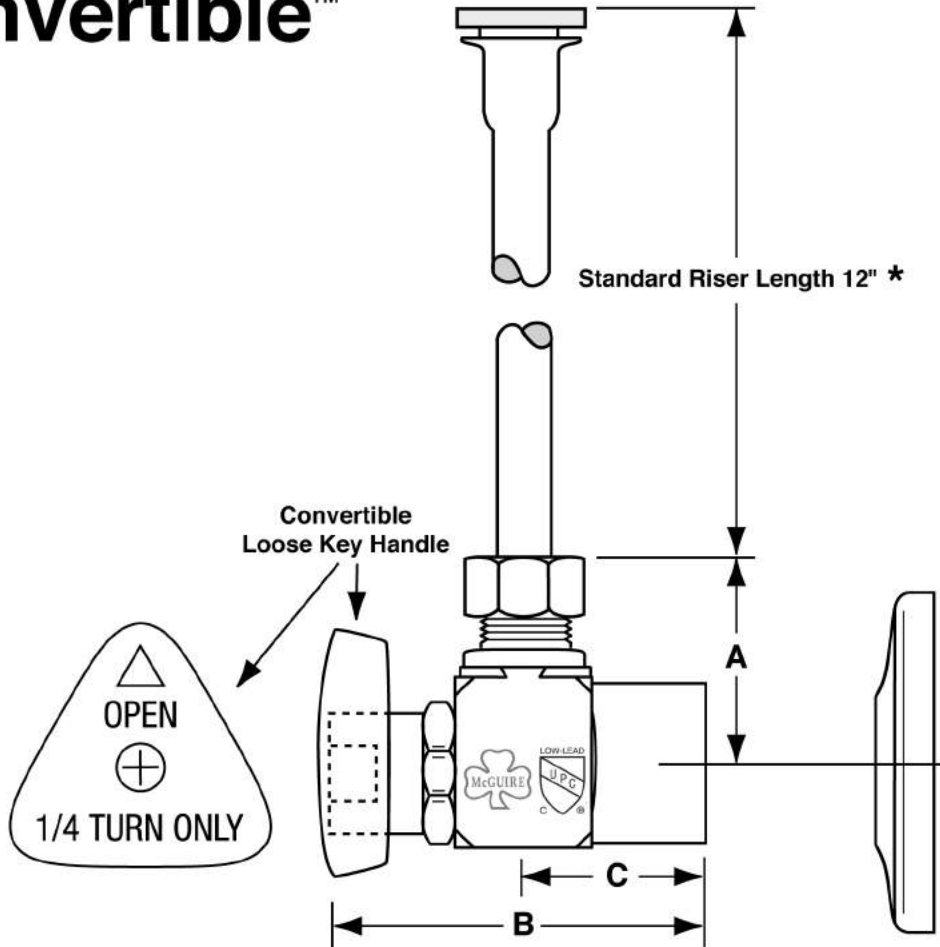
**LFBV2166**

**Quarter-Turn Brass  
Ball Valve Closet Supply**

**Job Name:**

**Submittal Number:**

**Convertible™**



NO.	DESCRIPTION	ROUGHING MEASUREMENTS		
		A	B	C
LFBV2166	1/2" I.P.S. x 3/8" O.D.	1-3/16"	2-3/16"	1"

\* See options and accessories section for details on product variations.



**Specifications:**

Supply kit shall include lead free chrome plated, commercial pattern Quarter-Turn Brass Ball Valve with convertible loose key handle (chrome plated copper, or braided stainless steel risers) and (shallow, deep, bell) (steel or brass) or (forged brass with set screw) flange. Inlet shall be (1/2) inch (IPS, sweat, compression). Outlet shall be (3/8) inch (compression). Supply kit shall be McGuire \_\_\_\_\_ . Supply kit shall be certified by recognized authority and bear manufacturer and testing mark.



**WARNING:**

This product can expose you to chemicals including lead, which is known to the State of California to cause cancer, and birth defects or other reproductive harm. For more information go to [www.P65Warnings.ca.gov](http://www.P65Warnings.ca.gov).





**McGuire Manufacturing Co., Inc.**

60 Grandview Court

Cheshire, Connecticut 06410

(203) 699-1801 Fax (203) 699-1813

customerservice@mcguiremfg.com mcguiremfg.com

**PRODUCT SPECIFICATION**

**Part No.**

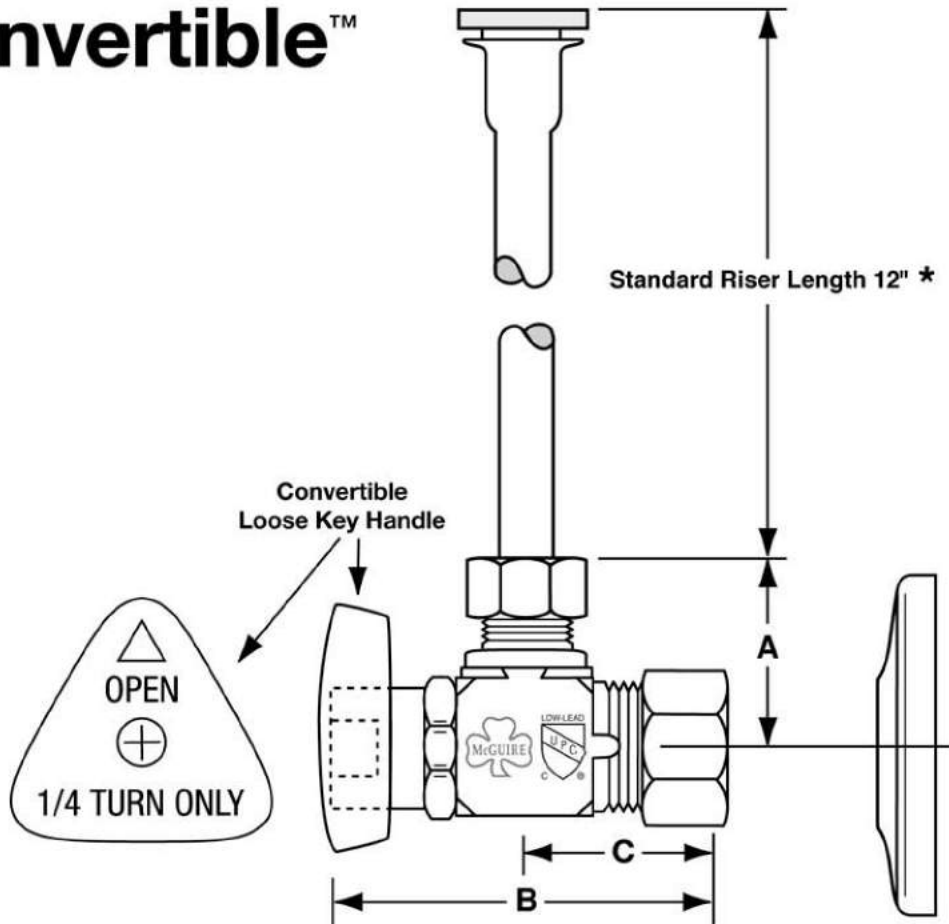
**LFBV2166CC**

**Quarter-Turn Brass  
Ball Valve Closet Supply**

**Job Name:**

**Submittal Number:**

**Convertible™**



NO.	DESCRIPTION	ROUGHING MEASUREMENTS		
		A	B	C
LFBV2166CC	1/2" Nominal x 3/8" O.D.	1-3/16"	2-1/2"	1-1/4"

\* See options and accessories section for details on product variations.



**Specifications:**

Supply kit shall include lead free chrome plated, commercial pattern Quarter-Turn Brass Ball Valve with convertible loose key handle (chrome plated copper, or braided stainless steel risers) and (shallow, deep, bell) (steel or brass) or (forged brass with set screw) flange. Inlet shall be (1/2) inch (IPS, sweat, compression). Outlet shall be (3/8) inch (compression). Supply kit shall be McGuire \_\_\_\_\_ . Supply kit shall be certified by recognized authority and bear manufacturer and testing mark.



**WARNING:**

This product can expose you to chemicals including lead, which is known to the State of California to cause cancer, and birth defects or other reproductive harm. For more information go to [www.P65Warnings.ca.gov](http://www.P65Warnings.ca.gov).



# McGuire Manufacturing Co., Inc.

60 Grandview Court  
 Cheshire, Connecticut 06410  
 (203) 699-1801 Fax (203) 699-1813  
 customerservice@mcguiremfg.com mcguiremfg.com

## PRODUCT SPECIFICATION

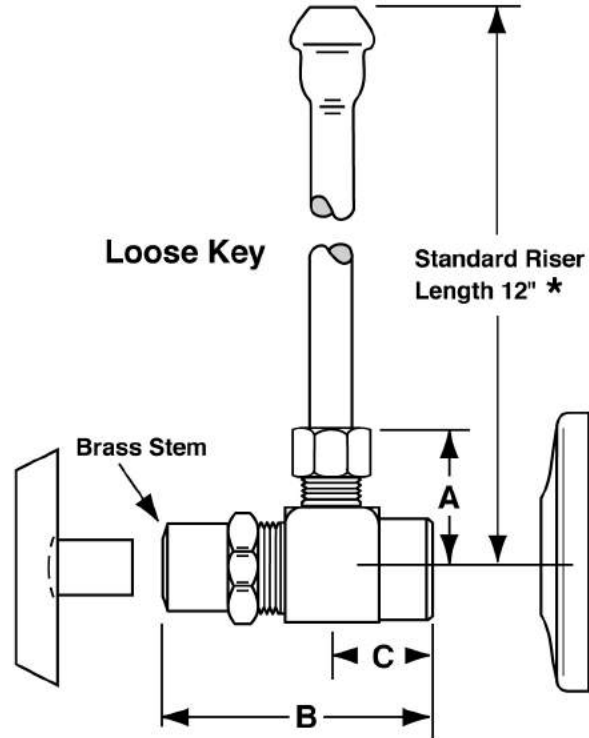
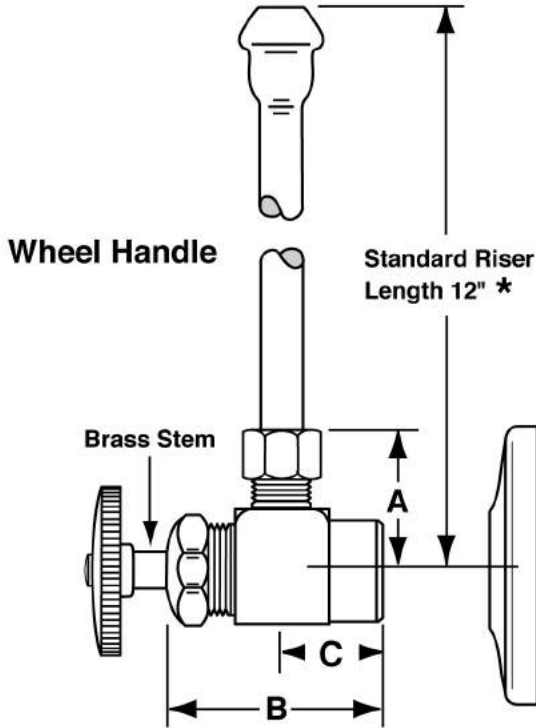
Part No.

**LFCK165**

**Integral Check Supply Kit  
 3/8" I.P.S. x O.D.**

**Job Name:** \_\_\_\_\_

**Submittal Number:** \_\_\_\_\_



NO.	DESCRIPTION	ROUGHING MEASUREMENTS		
		A	B	C
<b>LFCK165</b>	3/8" I.P.S. x 3/8" O.D.	1-3/8"	1-15/16"	1"

**LK** designates Loose Key

\* See options and accessories section for details on product variations.



## Specifications:

Supply kit shall include lead free integral check chrome plated supply stop valves with full turn brass stem, no plastic, (12, 15, 20) inch chrome plated risers and (shallow, deep, bell) (steel, brass) or (forged brass with set screw) flange. Inlet shall be 3/8 inch IPS. Outlet shall be 3/8 inch compression. Supply kit shall be McGuire \_\_\_\_\_ . Supply shall be certified by recognized authority and bear manufacturer and testing mark.



**WARNING:**

This product can expose you to chemicals including lead, which is known to the State of California to cause cancer, and birth defects or other reproductive harm. For more information go to [www.P65Warnings.ca.gov](http://www.P65Warnings.ca.gov).



# McGuire Manufacturing Co., Inc.

60 Grandview Court  
Cheshire, Connecticut 06410  
(203) 699-1801 Fax (203) 699-1813  
customerservice@mcguiremfg.com mcguiremfg.com

## PRODUCT SPECIFICATION

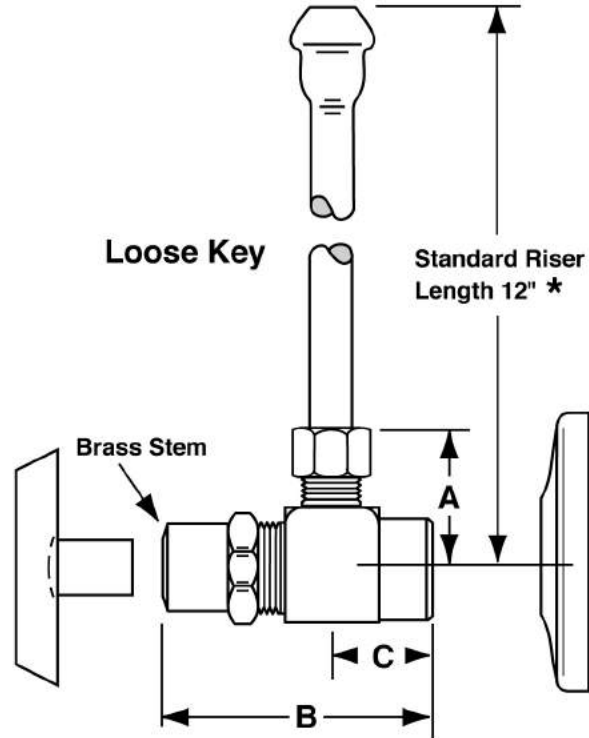
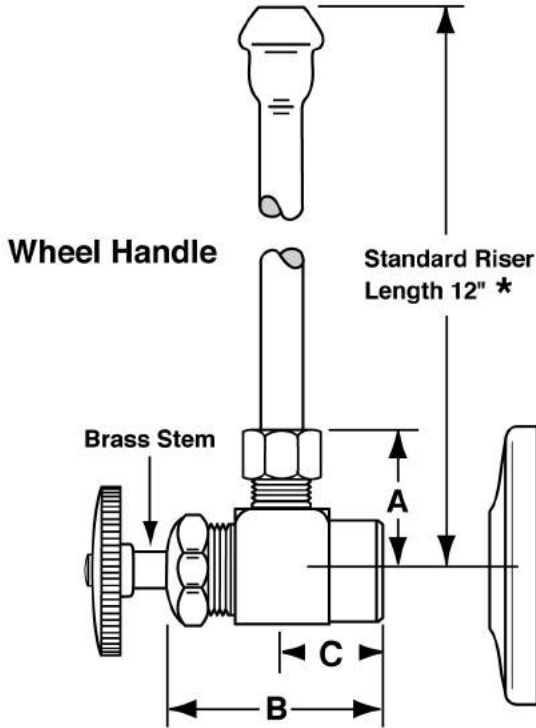
Part No.

# LFCK165EA

Integral Check Supply Kit  
3/8" I.P.S. x O.D.

Job Name: \_\_\_\_\_

Submittal Number: \_\_\_\_\_



NO.	DESCRIPTION	ROUGHING MEASUREMENTS		
		A	B	C
LFCK165EA	3/8" I.P.S. x 3/8" O.D.	1-3/8"	1-15/16"	1"

LK designates Loose Key

\* See options and accessories section for details on product variations.



## Specifications:

Supply kit shall include lead free integral check chrome plated supply stop valves with full turn brass stem, no plastic, (12, 15, 20) inch chrome plated risers and (shallow, deep, bell) (steel, brass) or (forged brass with set screw) flange. Inlet shall be 3/8 inch IPS. Outlet shall be 3/8 inch compression. Supply kit shall be McGuire \_\_\_\_\_ . Supply shall be certified by recognized authority and bear manufacturer and testing mark.

### WARNING:

This product can expose you to chemicals including lead, which is known to the State of California to cause cancer, and birth defects or other reproductive harm. For more information go to [www.P65Warnings.ca.gov](http://www.P65Warnings.ca.gov).



# McGuire Manufacturing Co., Inc.

60 Grandview Court  
Cheshire, Connecticut 06410  
(203) 699-1801 Fax (203) 699-1813  
customerservice@mcguiremfg.com mcguiremfg.com

## PRODUCT SPECIFICATION

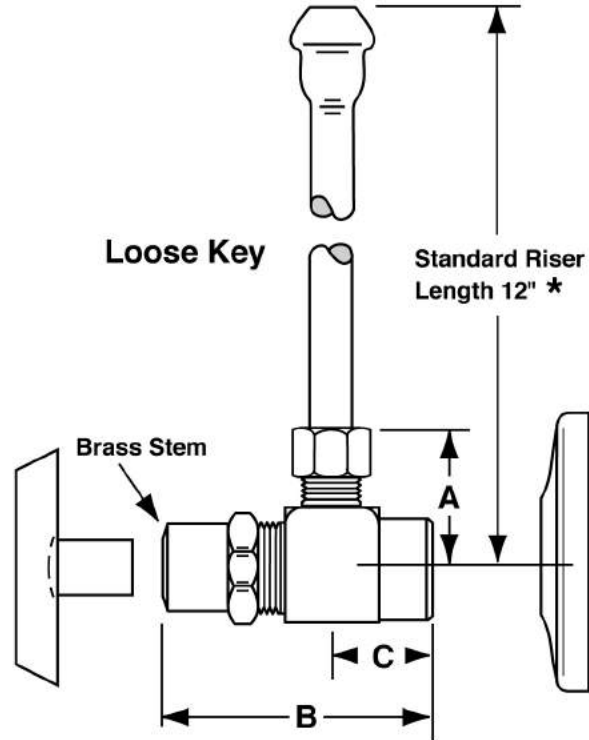
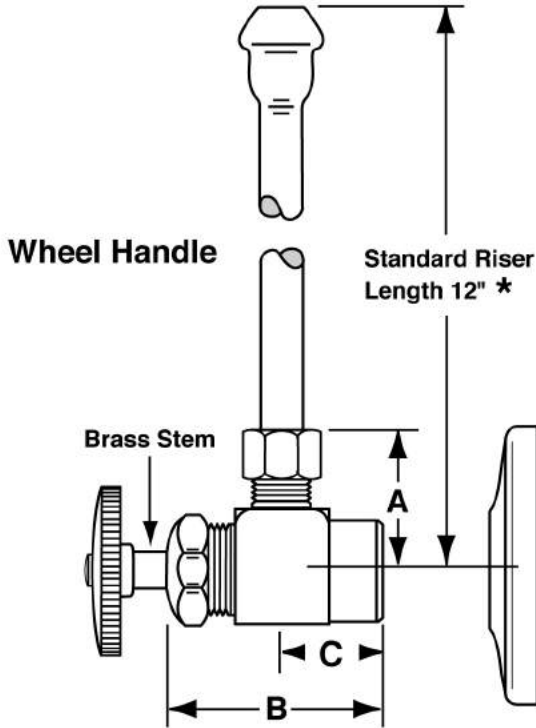
Part No.

# LFCK165LK

Integral Check Supply Kit  
3/8" I.P.S. x O.D.

Job Name:

Submittal Number:



NO.	DESCRIPTION	ROUGHING MEASUREMENTS		
		A	B	C
LFCK165LK	3/8" I.P.S. x 3/8" O.D.	1-3/8"	1-15/16"	1"

- Rated Operating Pressure: 20-125 PSI
- Rated Operating Temperature: 40-140°F
- Note: 180°F max. during temporary high-temperature system flush

**LK** designates Loose Key

\* See options and accessories section for details on product variations.



## Specifications:

Supply kit shall include lead free integral check chrome plated supply stop valves with full turn brass stem, no plastic, (12, 15, 20) inch chrome plated risers and (shallow, deep, bell) (steel, brass) or (forged brass with set screw) flange. Inlet shall be 3/8 inch IPS. Outlet shall be 3/8 inch compression. Supply kit shall be McGuire \_\_\_\_\_ . Supply shall be certified by recognized authority and bear manufacturer and testing mark.

### WARNING:

This product can expose you to chemicals including lead, which is known to the State of California to cause cancer, and birth defects or other reproductive harm. For more information go to [www.P65Warnings.ca.gov](http://www.P65Warnings.ca.gov).





# McGuire Manufacturing Co., Inc.

60 Grandview Court  
 Cheshire, Connecticut 06410  
 (203) 699-1801 Fax (203) 699-1813  
 customerservice@mcguiremfg.com mcguiremfg.com

## PRODUCT SPECIFICATION

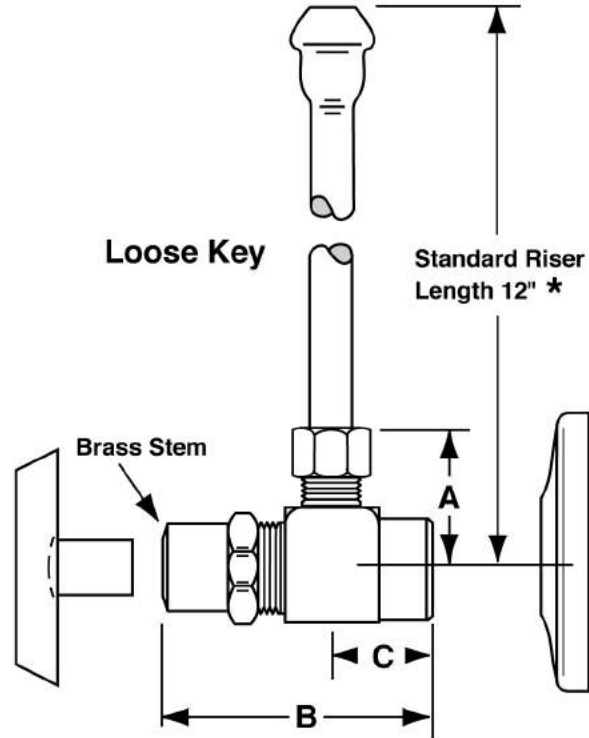
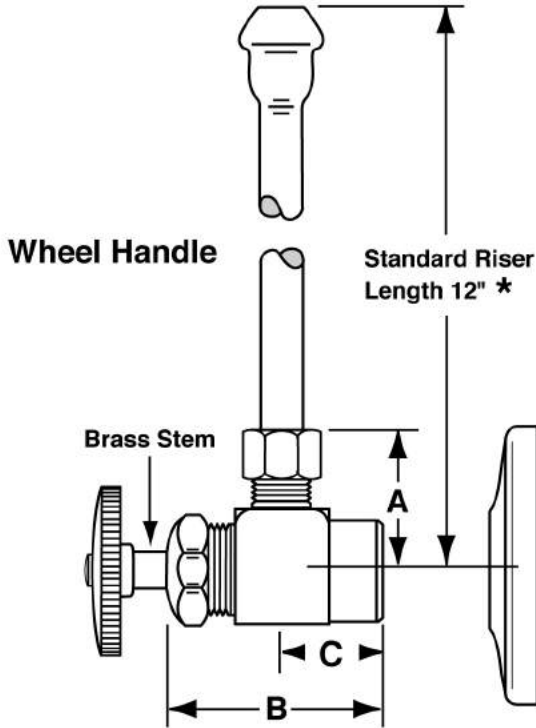
Part No.

**LFCK165LKEA**

Integral Check Supply Kit  
 3/8" I.P.S. x O.D.

Job Name:

Submittal Number:



NO.	DESCRIPTION	ROUGHING MEASUREMENTS		
		A	B	C
LFCK165LKEA	3/8" I.P.S. x 3/8" O.D.	1-3/8"	1-15/16"	1"

LK designates Loose Key

\* See options and accessories section for details on product variations.



## Specifications:

Supply kit shall include lead free integral check chrome plated supply stop valves with full turn brass stem, no plastic, (12, 15, 20) inch chrome plated risers and (shallow, deep, bell) (steel, brass) or (forged brass with set screw) flange. Inlet shall be 3/8 inch IPS. Outlet shall be 3/8 inch compression. Supply kit shall be McGuire \_\_\_\_\_ . Supply shall be certified by recognized authority and bear manufacturer and testing mark.



**WARNING:**

This product can expose you to chemicals including lead, which is known to the State of California to cause cancer, and birth defects or other reproductive harm. For more information go to [www.P65Warnings.ca.gov](http://www.P65Warnings.ca.gov).



# McGuire Manufacturing Co., Inc.

60 Grandview Court  
 Cheshire, Connecticut 06410  
 (203) 699-1801 Fax (203) 699-1813  
 customerservice@mcguiremfg.com mcguiremfg.com

## PRODUCT SPECIFICATION

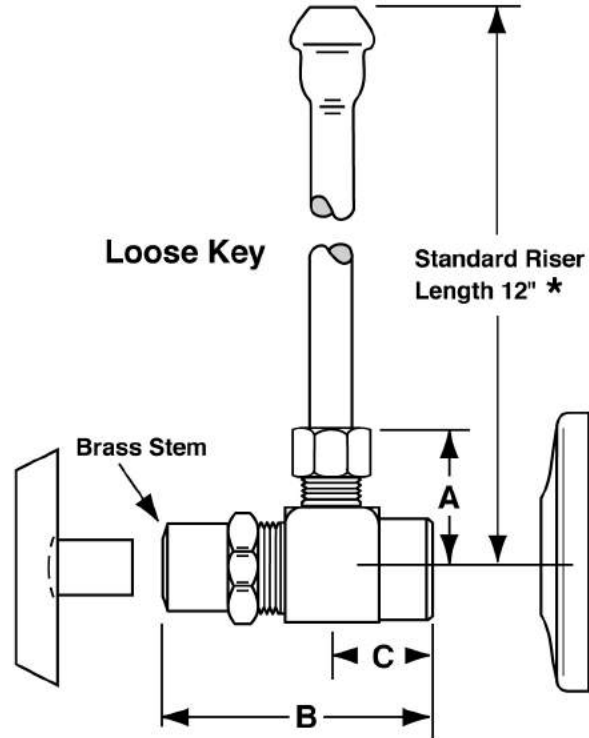
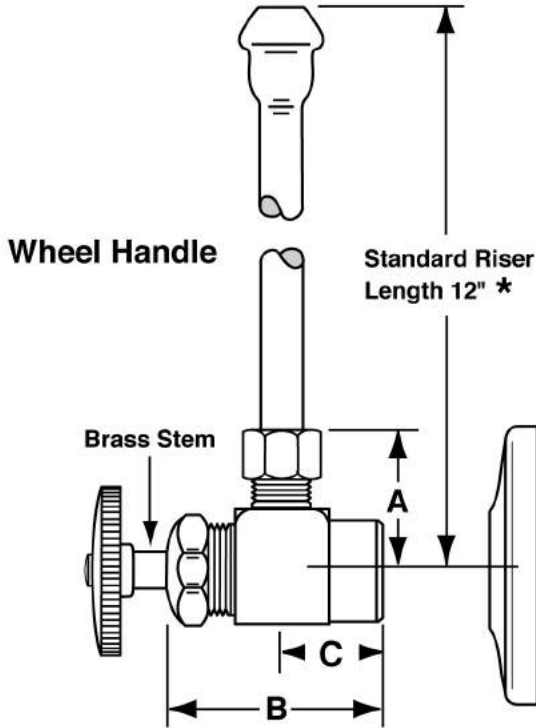
Part No.

**LFCK167**

**Integral Check Supply Kit  
 3/8" I.P.S. x O.D.**

**Job Name:** \_\_\_\_\_

**Submittal Number:** \_\_\_\_\_



NO.	DESCRIPTION	ROUGHING MEASUREMENTS		
		A	B	C
<b>LFCK167</b>	3/8" I.P.S. x 1/2" O.D.	1-3/8"	1-15/16"	1"

**LK** designates Loose Key

\* See options and accessories section for details on product variations.



## Specifications:

Supply kit shall include lead free chrome plated integral check supply stop valves with full turn brass stem, no plastic, (12, 15, 20) inch chrome plated risers and (shallow, deep, bell) (steel, brass) or (forged brass with set screw) flange. Inlet shall be 3/8 inch IPS. Outlet shall be 3/8 inch compression. Supply kit shall be McGuire \_\_\_\_\_ . Supply shall be certified by recognized authority and bear manufacturer and testing mark.



**WARNING:**

This product can expose you to chemicals including lead, which is known to the State of California to cause cancer, and birth defects or other reproductive harm. For more information go to [www.P65Warnings.ca.gov](http://www.P65Warnings.ca.gov).



# McGuire Manufacturing Co., Inc.

60 Grandview Court  
 Cheshire, Connecticut 06410  
 (203) 699-1801 Fax (203) 699-1813  
 customerservice@mcguiremfg.com mcguiremfg.com

## PRODUCT SPECIFICATION

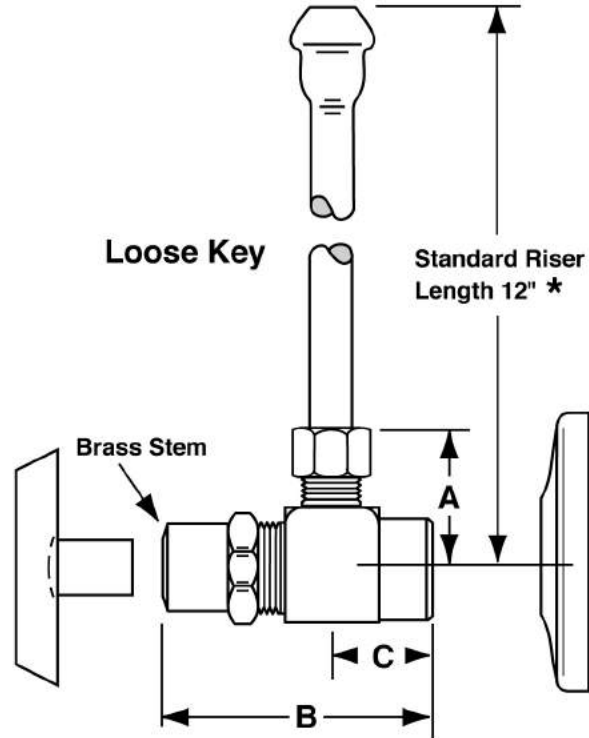
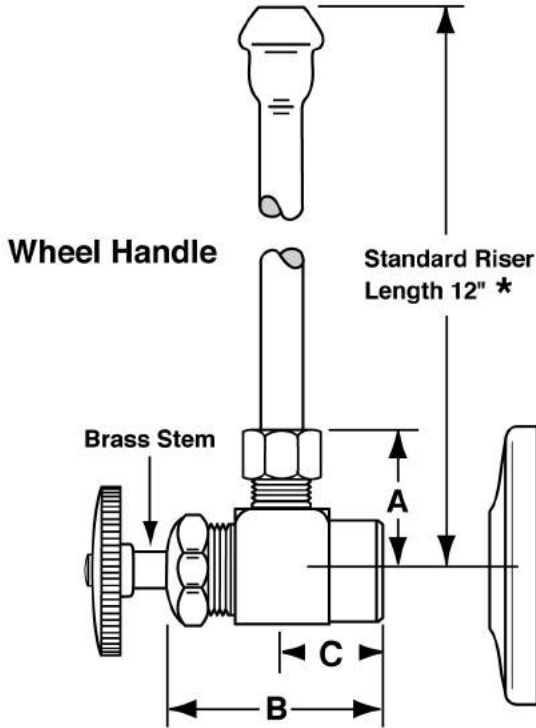
Part No.

**LFCK167EA**

**Integral Check Supply Kit  
 3/8" I.P.S. x O.D.**

**Job Name:**

**Submittal Number:**



NO.	DESCRIPTION	ROUGHING MEASUREMENTS		
		A	B	C
LFCK167EA	3/8" I.P.S. x 1/2" O.D.	1-3/8"	1-15/16"	1"

**LK** designates Loose Key

\* See options and accessories section for details on product variations.



## Specifications:

Supply kit shall include lead free chrome plated integral check supply stop valves with full turn brass stem, no plastic, (12, 15, 20) inch chrome plated risers and (shallow, deep, bell) (steel, brass) or (forged brass with set screw) flange. Inlet shall be 3/8 inch IPS. Outlet shall be 3/8 inch compression. Supply kit shall be McGuire \_\_\_\_\_ . Supply shall be certified by recognized authority and bear manufacturer and testing mark.



### WARNING:

This product can expose you to chemicals including lead, which is known to the State of California to cause cancer, and birth defects or other reproductive harm. For more information go to [www.P65Warnings.ca.gov](http://www.P65Warnings.ca.gov).



# McGuire Manufacturing Co., Inc.

60 Grandview Court  
 Cheshire, Connecticut 06410  
 (203) 699-1801 Fax (203) 699-1813  
 customerservice@mcguiremfg.com mcguiremfg.com

## PRODUCT SPECIFICATION

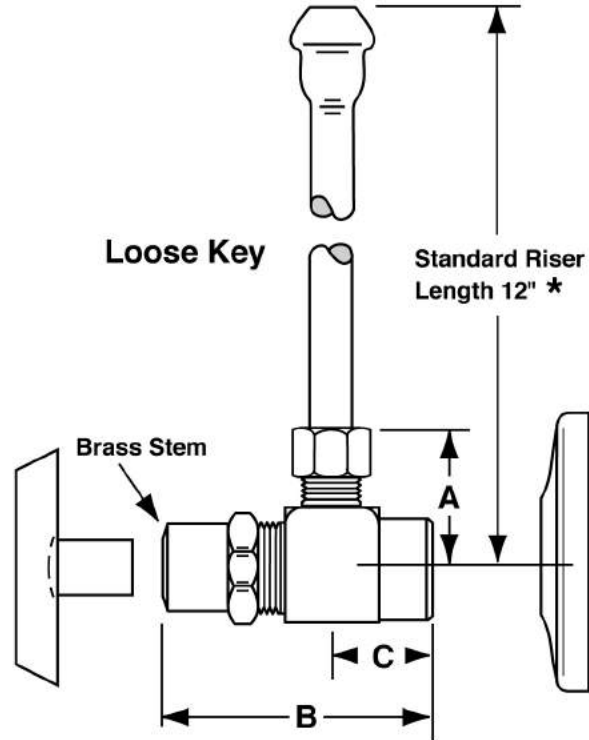
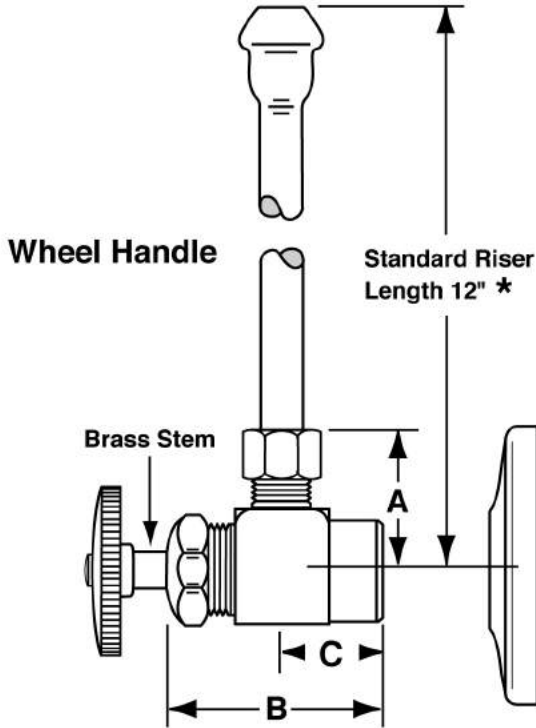
Part No.

**LFCK167LK**

**Integral Check Supply Kit  
 3/8" I.P.S. x O.D.**

**Job Name:** \_\_\_\_\_

**Submittal Number:** \_\_\_\_\_



NO.	DESCRIPTION	ROUGHING MEASUREMENTS		
		A	B	C
LFCK167LK	3/8" I.P.S. x 1/2" O.D.	1-3/8"	1-15/16"	1"

**LK** designates Loose Key

\* See options and accessories section for details on product variations.



## Specifications:

Supply kit shall include lead free chrome plated integral check supply stop valves with full turn brass stem, no plastic, (12, 15, 20) inch chrome plated risers and (shallow, deep, bell) (steel, brass) or (forged brass with set screw) flange. Inlet shall be 3/8 inch IPS. Outlet shall be 3/8 inch compression. Supply kit shall be McGuire \_\_\_\_\_ . Supply shall be certified by recognized authority and bear manufacturer and testing mark.

### **WARNING:**

This product can expose you to chemicals including lead, which is known to the State of California to cause cancer, and birth defects or other reproductive harm. For more information go to [www.P65Warnings.ca.gov](http://www.P65Warnings.ca.gov).





# McGuire Manufacturing Co., Inc.

60 Grandview Court  
 Cheshire, Connecticut 06410  
 (203) 699-1801 Fax (203) 699-1813  
 customerservice@mcguiremfg.com mcguiremfg.com

## PRODUCT SPECIFICATION

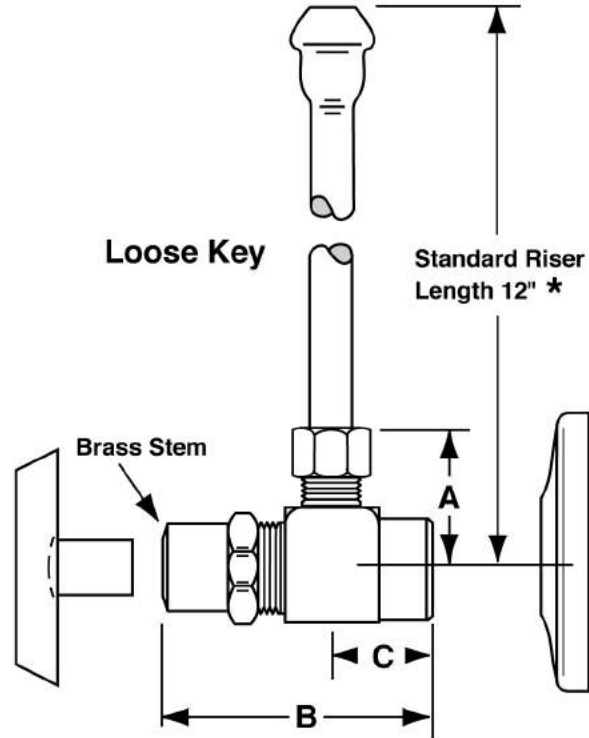
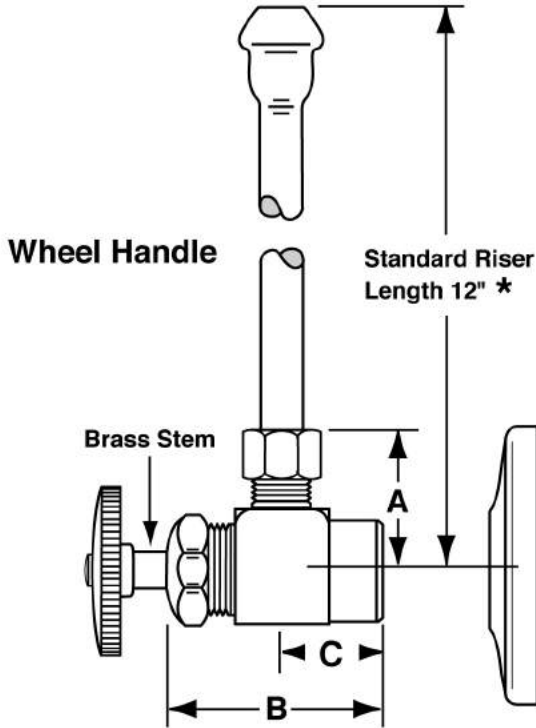
Part No.

**LFCK167LKEA**

**Integral Check Supply Kit  
 3/8" I.P.S. x O.D.**

**Job Name:** \_\_\_\_\_

**Submittal Number:** \_\_\_\_\_



NO.	DESCRIPTION	ROUGHING MEASUREMENTS		
		A	B	C
LFCK167LKEA	3/8" I.P.S. x 1/2" O.D.	1-3/8"	1-15/16"	1"

**LK** designates Loose Key

\* See options and accessories section for details on product variations.



## Specifications:

Supply kit shall include lead free chrome plated integral check supply stop valves with full turn brass stem, no plastic, (12, 15, 20) inch chrome plated risers and (shallow, deep, bell) (steel, brass) or (forged brass with set screw) flange. Inlet shall be 3/8 inch IPS. Outlet shall be 3/8 inch compression. Supply kit shall be McGuire \_\_\_\_\_ . Supply shall be certified by recognized authority and bear manufacturer and testing mark.



**WARNING:**  
 This product can expose you to chemicals including lead, which is known to the State of California to cause cancer, and birth defects or other reproductive harm. For more information go to [www.P65Warnings.ca.gov](http://www.P65Warnings.ca.gov).



**McGuire Manufacturing Co., Inc.**

60 Grandview Court  
 Cheshire, Connecticut 06410  
 (203) 699-1801 Fax (203) 699-1813  
 customerservice@mcguiremfg.com mcguiremfg.com

**PRODUCT SPECIFICATION**

**Part No.**

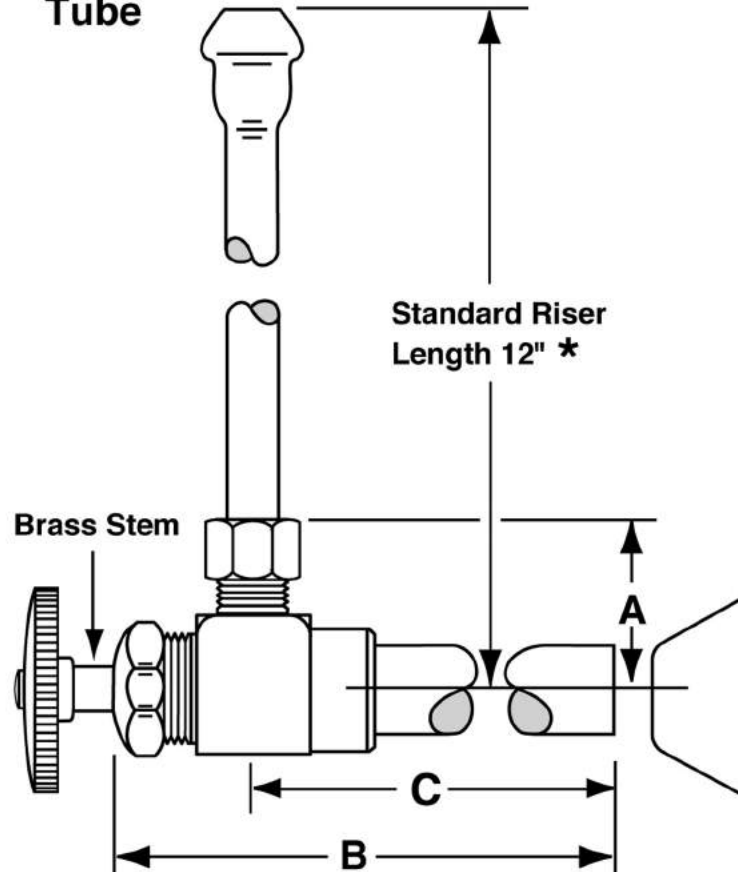
**LFCK170**

**Integral Check Supply Kit  
 w/5" Sweat Extension**

**Job Name:**

**Submittal Number:**

**Wheel Handle  
 w/ 5" Extension  
 Tube**



NO.	DESCRIPTION	ROUGHING MEASUREMENTS		
		A	B	C
LFCK170	1/2" Sweat x 3/8" O.D.	1"	6-1/4"	5-1/2"

LK designates *Loose Key*

\* See options and accessories section for details on product variations.



**Specifications:**

Supply kit shall include lead free chrome plated brass integral check supply stop valves with full tum brass stem, no plastic, (12, 15, 20) inch chrome plated risers and (shallow, deep, bell) (steel, brass) or (forged brass with set screw) flange. Inlet shall be 1/2 inch (IPS, sweat, compression). Outlet shall be 3/8 inch (IPS, compression). Supply kit shall be McGuire \_\_\_\_\_. Supply shall be certified by recognized authority and bear manufacturer and testing mark.



**WARNING:**

This product can expose you to chemicals including lead, which is known to the State of California to cause cancer, and birth defects or other reproductive harm. For more information go to [www.P65Warnings.ca.gov](http://www.P65Warnings.ca.gov).



**McGuire Manufacturing Co., Inc.**

60 Grandview Court  
 Cheshire, Connecticut 06410  
 (203) 699-1801 Fax (203) 699-1813  
 customerservice@mcguiremfg.com mcguiremfg.com

**PRODUCT SPECIFICATION**

**Part No.**

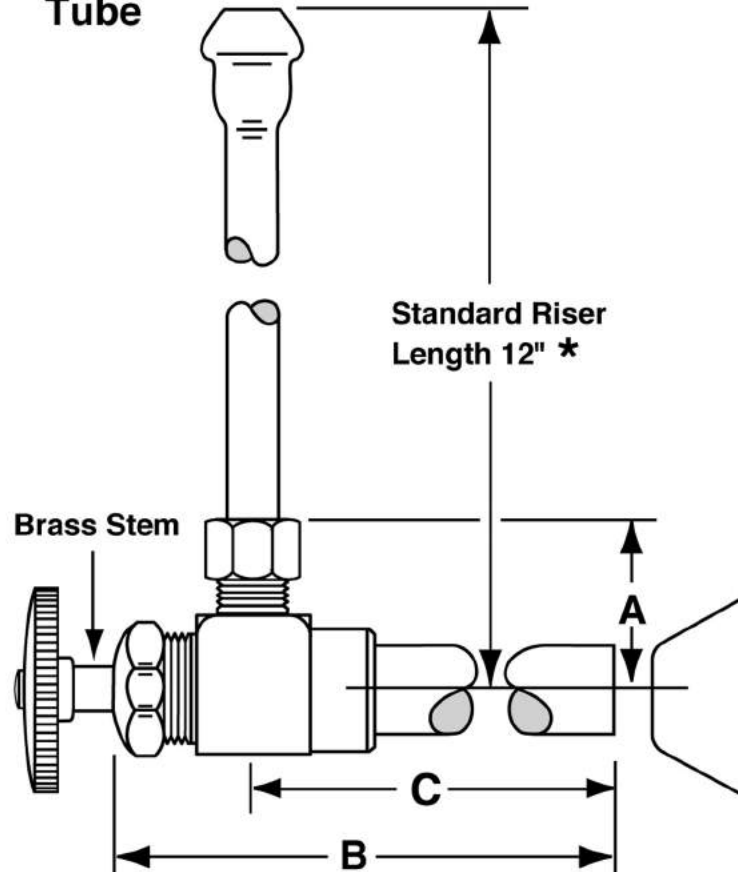
**LFCK170EA**

**Integral Check Supply Kit  
 w/5" Sweat Extension**

**Job Name:**

**Submittal Number:**

**Wheel Handle  
 w/ 5" Extension  
 Tube**



NO.	DESCRIPTION	ROUGHING MEASUREMENTS		
		A	B	C
LFCK170EA	1/2" Sweat x 3/8" O.D.	1"	6-1/4"	5-1/2"

LK designates *Loose Key*

\* See options and accessories section for details on product variations.



**Specifications:**

Supply kit shall include lead free chrome plated brass integral check supply stop valves with full tum brass stem, no plastic, (12, 15, 20) inch chrome plated risers and (shallow, deep, bell) (steel, brass) or (forged brass with set screw) flange. Inlet shall be 1/2 inch (IPS, sweat, compression). Outlet shall be 3/8 inch (IPS, compression). Supply kit shall be McGuire \_\_\_\_\_. Supply shall be certified by recognized authority and bear manufacturer and testing mark.



**WARNING:**

This product can expose you to chemicals including lead, which is known to the State of California to cause cancer, and birth defects or other reproductive harm. For more information go to [www.P65Warnings.ca.gov](http://www.P65Warnings.ca.gov).



**McGuire Manufacturing Co., Inc.**

60 Grandview Court  
 Cheshire, Connecticut 06410  
 (203) 699-1801 Fax (203) 699-1813  
 customerservice@mcguiremfg.com mcguiremfg.com

**PRODUCT SPECIFICATION**

**Part No.**

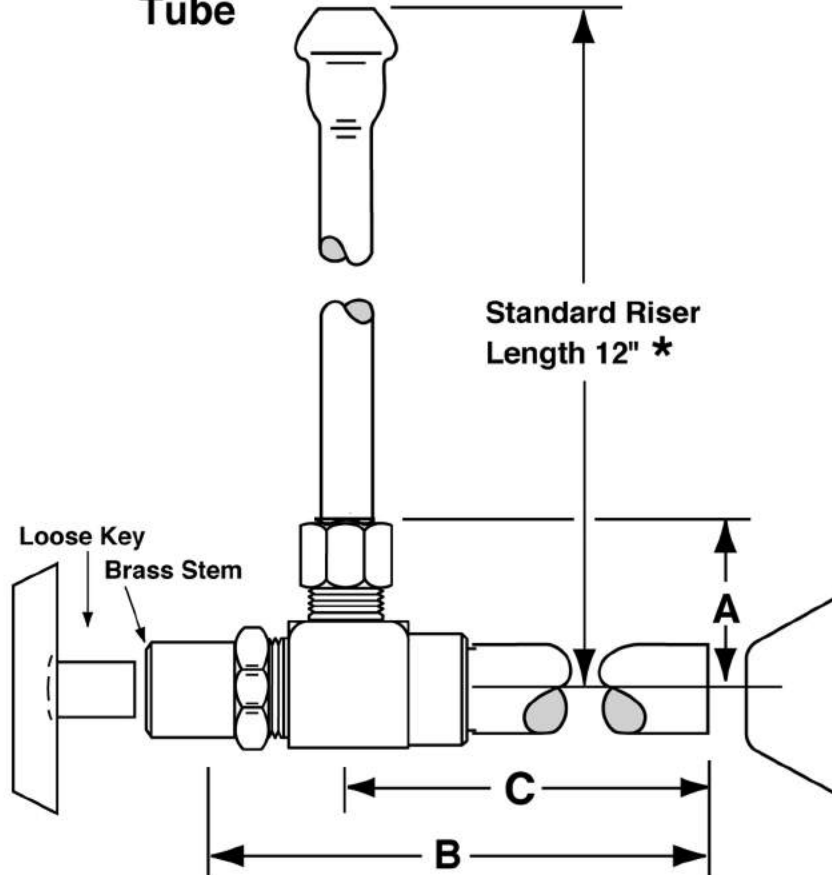
**LFCK170LK**

**Integral Check Supply Kit  
 w/5" Sweat Extension**

**Job Name:**

**Submittal Number:**

**Wheel Handle  
 w/ 5" Extension  
 Tube**



NO.	DESCRIPTION	ROUGHING MEASUREMENTS		
		A	B	C
LFCK170LK	1/2" Sweat x 3/8" O.D.	1"	6-1/4"	5-1/2"

LK designates *Loose Key*

\* See options and accessories section for details on product variations.



**Specifications:**

Supply kit shall include lead free chrome plated brass integral check supply stop valves with full tum brass stem, no plastic, (12, 15, 20) inch chrome plated risers and (shallow, deep, bell) (steel, brass) or (forged brass with set screw) flange. Inlet shall be 1/2 inch (IPS, sweat, compression). Outlet shall be 3/8 inch (IPS, compression). Supply kit shall be McGuire \_\_\_\_\_. Supply shall be certified by recognized authority and bear manufacturer and testing mark.

**! WARNING:**

This product can expose you to chemicals including lead, which is known to the State of California to cause cancer, and birth defects or other reproductive harm. For more information go to [www.P65Warnings.ca.gov](http://www.P65Warnings.ca.gov).





**McGuire Manufacturing Co., Inc.**

60 Grandview Court  
 Cheshire, Connecticut 06410  
 (203) 699-1801 Fax (203) 699-1813  
 customerservice@mcguiremfg.com mcguiremfg.com

**PRODUCT SPECIFICATION**

**Part No.**

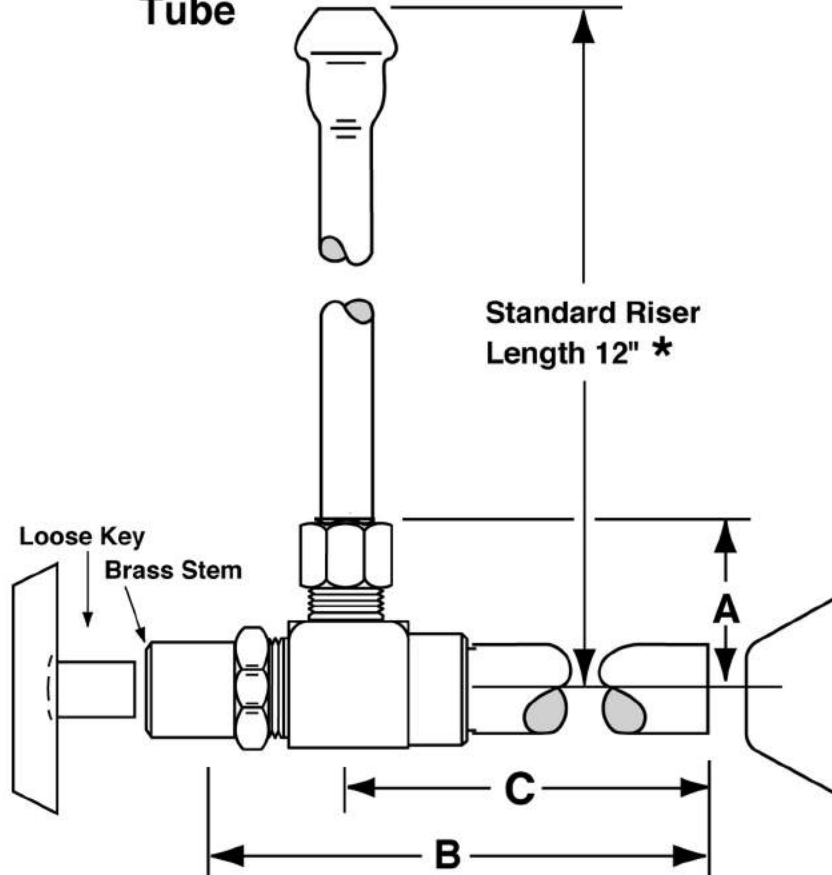
**LFCK170LKEA**

**Integral Check Supply Kit  
 w/5" Sweat Extension**

**Job Name:**

**Submittal Number:**

**Wheel Handle  
 w/ 5" Extension  
 Tube**



NO.	DESCRIPTION	ROUGHING MEASUREMENTS		
		A	B	C
LFCK170LKEA	1/2" Sweat x 3/8" O.D.	1"	6-1/4"	5-1/2"

LK designates *Loose Key*

\* See options and accessories section for details on product variations.



**Specifications:**

Supply kit shall include lead free chrome plated brass integral check supply stop valves with full tum brass stem, no plastic, (12, 15, 20) inch chrome plated risers and (shallow, deep, bell) (steel, brass) or (forged brass with set screw) flange. Inlet shall be 1/2 inch (IPS, sweat, compression). Outlet shall be 3/8 inch (IPS, compression). Supply kit shall be McGuire \_\_\_\_\_. Supply shall be certified by recognized authority and bear manufacturer and testing mark.



**WARNING:**

This product can expose you to chemicals including lead, which is known to the State of California to cause cancer, and birth defects or other reproductive harm. For more information go to [www.P65Warnings.ca.gov](http://www.P65Warnings.ca.gov).

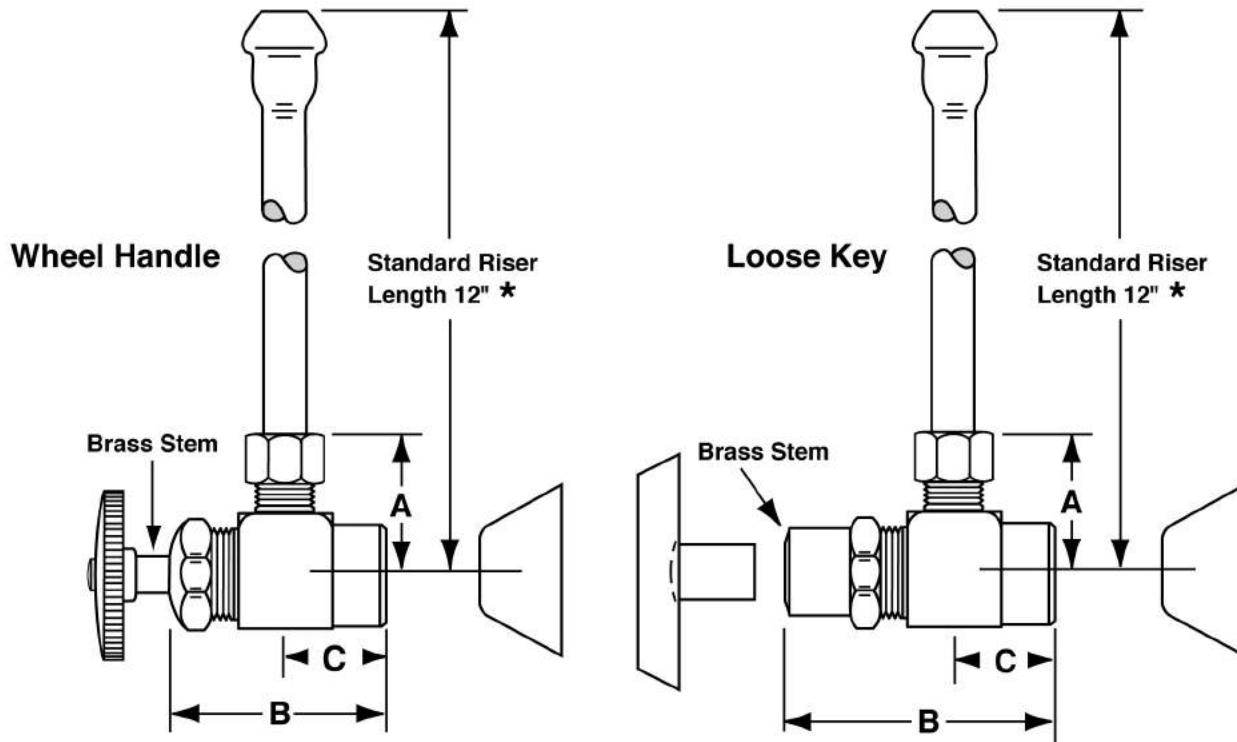


**McGuire Manufacturing Co., Inc.**  
 60 Grandview Court  
 Cheshire, Connecticut 06410  
 (203) 699-1801 Fax (203) 699-1813  
 customerservice@mcguiremfg.com mcguiremfg.com  
**PRODUCT SPECIFICATION**

**Part No.**  
**LFCK175**  
**Integral Check Supply Kit**  
**Sweat to Compression**

**Job Name:**

**Submittal Number:**



NO.	DESCRIPTION	ROUGHING MEASUREMENTS		
		A	B	C
LFCK175	1/2" Sweat x 3/8" O.D.	1-3/8"	2"	1"

LK designates *Loose Key*

\* See options and accessories section for details on product variations.



**Specifications:**

Supply kit shall include lead free chrome plated integral check supply stop valves with full turn brass stem, no plastic, (12, 15, 20) inch chrome plated risers and (shallow, deep, bell) (steel, brass) or (forged brass with set screw) flange. Inlet shall be 1/2 inch sweat. Outlet shall be 3/8 inch compression. Supply kit shall be McGuire \_\_\_\_\_ . Supply shall be certified by recognized authority and bear manufacturer and testing mark.

**! WARNING:**  
 This product can expose you to chemicals including lead, which is known to the State of California to cause cancer, and birth defects or other reproductive harm. For more information go to [www.P65Warnings.ca.gov](http://www.P65Warnings.ca.gov).

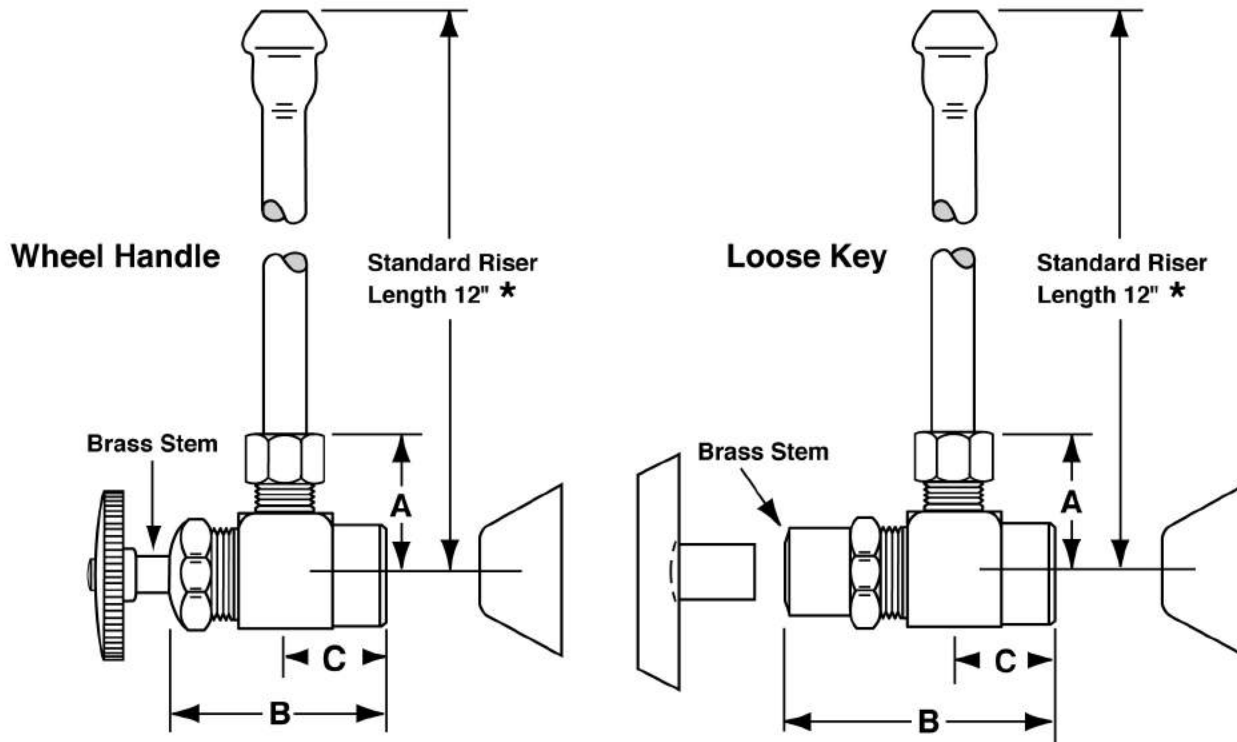


**McGuire Manufacturing Co., Inc.**  
 60 Grandview Court  
 Cheshire, Connecticut 06410  
 (203) 699-1801 Fax (203) 699-1813  
 customerservice@mcguiremfg.com mcguiremfg.com  
**PRODUCT SPECIFICATION**

**Part No.**  
**LFCK175EA**  
**Integral Check Supply Kit**  
**Sweat to Compression**

**Job Name:** \_\_\_\_\_

**Submittal Number:** \_\_\_\_\_



NO.	DESCRIPTION	ROUGHING MEASUREMENTS		
		A	B	C
LFCK175EA	1/2" Sweat x 3/8" O.D.	1-3/8"	2"	1"

LK designates *Loose Key*

\* See options and accessories section for details on product variations.



**Specifications:**

Supply kit shall include lead free chrome plated integral check supply stop valves with full turn brass stem, no plastic, (12, 15, 20) inch chrome plated risers and (shallow, deep, bell) (steel, brass) or (forged brass with set screw) flange. Inlet shall be 1/2 inch sweat. Outlet shall be 3/8 inch compression. Supply kit shall be McGuire \_\_\_\_\_ . Supply shall be certified by recognized authority and bear manufacturer and testing mark.

**! WARNING:**  
 This product can expose you to chemicals including lead, which is known to the State of California to cause cancer, and birth defects or other reproductive harm. For more information go to [www.P65Warnings.ca.gov](http://www.P65Warnings.ca.gov).

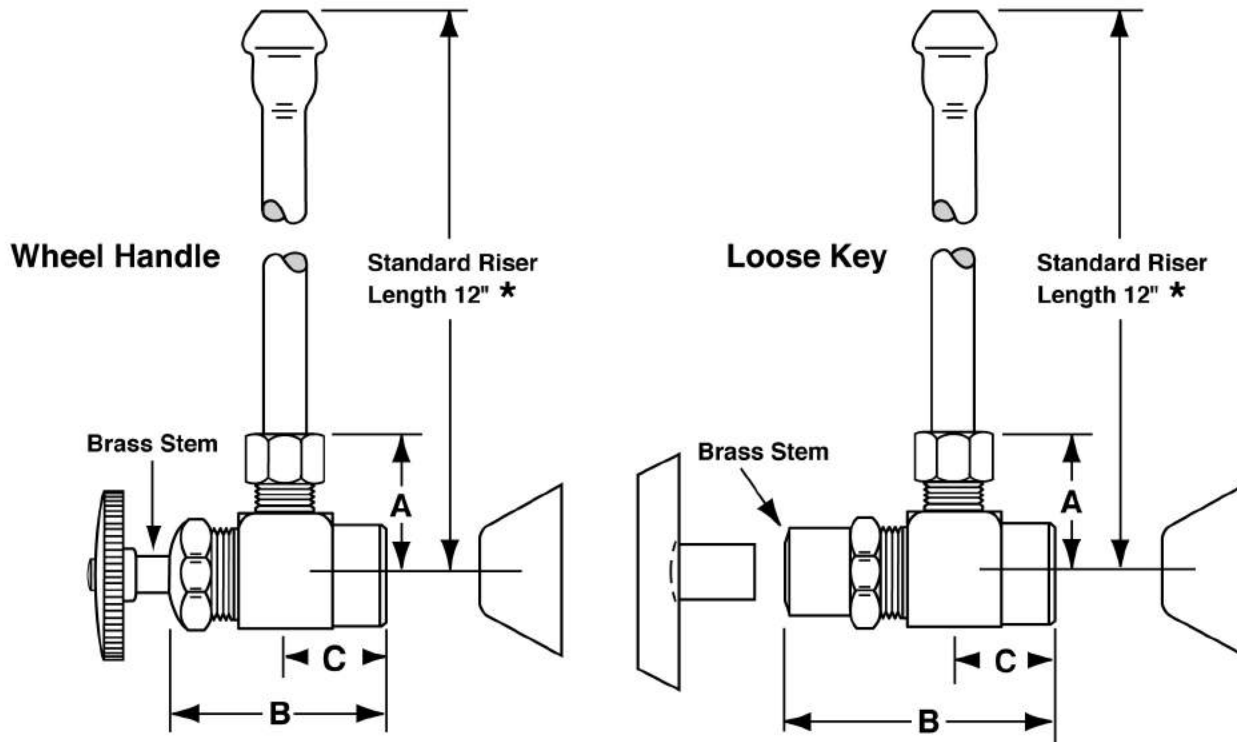


**McGuire Manufacturing Co., Inc.**  
 60 Grandview Court  
 Cheshire, Connecticut 06410  
 (203) 699-1801 Fax (203) 699-1813  
 customerservice@mcguiremfg.com mcguiremfg.com  
**PRODUCT SPECIFICATION**

**Part No.**  
**LFCK175LK**  
**Integral Check Supply Kit**  
**Sweat to Compression**

**Job Name:** \_\_\_\_\_

**Submittal Number:** \_\_\_\_\_



NO.	DESCRIPTION	ROUGHING MEASUREMENTS		
		A	B	C
LFCK175LK	1/2" Sweat x 3/8" O.D.	1-3/8"	2"	1"

LK designates *Loose Key*

\* See options and accessories section for details on product variations.



**Specifications:**

Supply kit shall include lead free chrome plated integral check supply stop valves with full turn brass stem, no plastic, (12, 15, 20) inch chrome plated risers and (shallow, deep, bell) (steel, brass) or (forged brass with set screw) flange. Inlet shall be 1/2 inch sweat. Outlet shall be 3/8 inch compression. Supply kit shall be McGuire \_\_\_\_\_ . Supply shall be certified by recognized authority and bear manufacturer and testing mark.

**! WARNING:**  
 This product can expose you to chemicals including lead, which is known to the State of California to cause cancer, and birth defects or other reproductive harm. For more information go to [www.P65Warnings.ca.gov](http://www.P65Warnings.ca.gov).



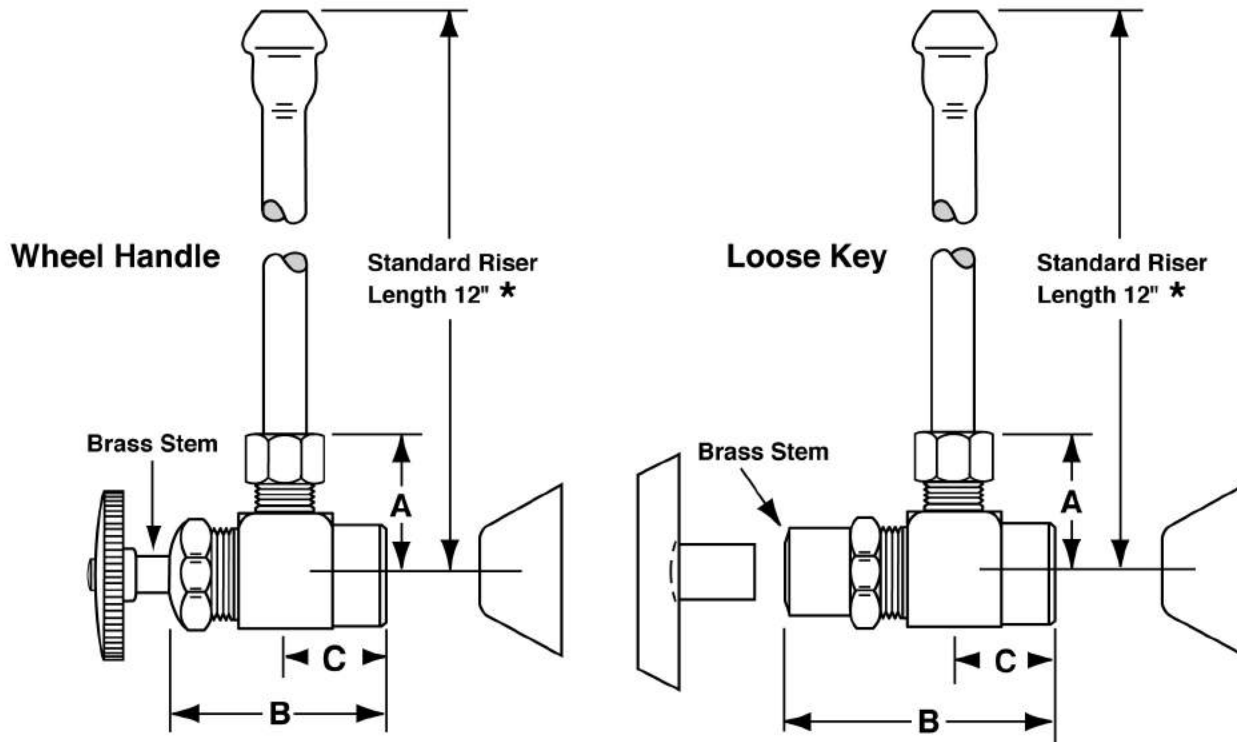


**McGuire Manufacturing Co., Inc.**  
 60 Grandview Court  
 Cheshire, Connecticut 06410  
 (203) 699-1801 Fax (203) 699-1813  
 customerservice@mcguiremfg.com mcguiremfg.com  
**PRODUCT SPECIFICATION**

**Part No.**  
**LFCK175LKEA**  
**Integral Check Supply Kit**  
**Sweat to Compression**

**Job Name:**

**Submittal Number:**



NO.	DESCRIPTION	ROUGHING MEASUREMENTS		
		A	B	C
LFCK175LKEA	1/2" Sweat x 3/8" O.D.	1-3/8"	2"	1"

LK designates *Loose Key*

\* See options and accessories section for details on product variations.



**Specifications:**

Supply kit shall include lead free chrome plated integral check supply stop valves with full turn brass stem, no plastic, (12, 15, 20) inch chrome plated risers and (shallow, deep, bell) (steel, brass) or (forged brass with set screw) flange. Inlet shall be 1/2 inch sweat. Outlet shall be 3/8 inch compression. Supply kit shall be McGuire \_\_\_\_\_ . Supply shall be certified by recognized authority and bear manufacturer and testing mark.

**WARNING:**

This product can expose you to chemicals including lead, which is known to the State of California to cause cancer, and birth defects or other reproductive harm. For more information go to [www.P65Warnings.ca.gov](http://www.P65Warnings.ca.gov).



**McGuire Manufacturing Co., Inc.**

60 Grandview Court  
 Cheshire, Connecticut 06410  
 (203) 699-1801 Fax (203) 699-1813  
 customerservice@mcguiremfg.com mcguiremfg.com

**PRODUCT SPECIFICATION**

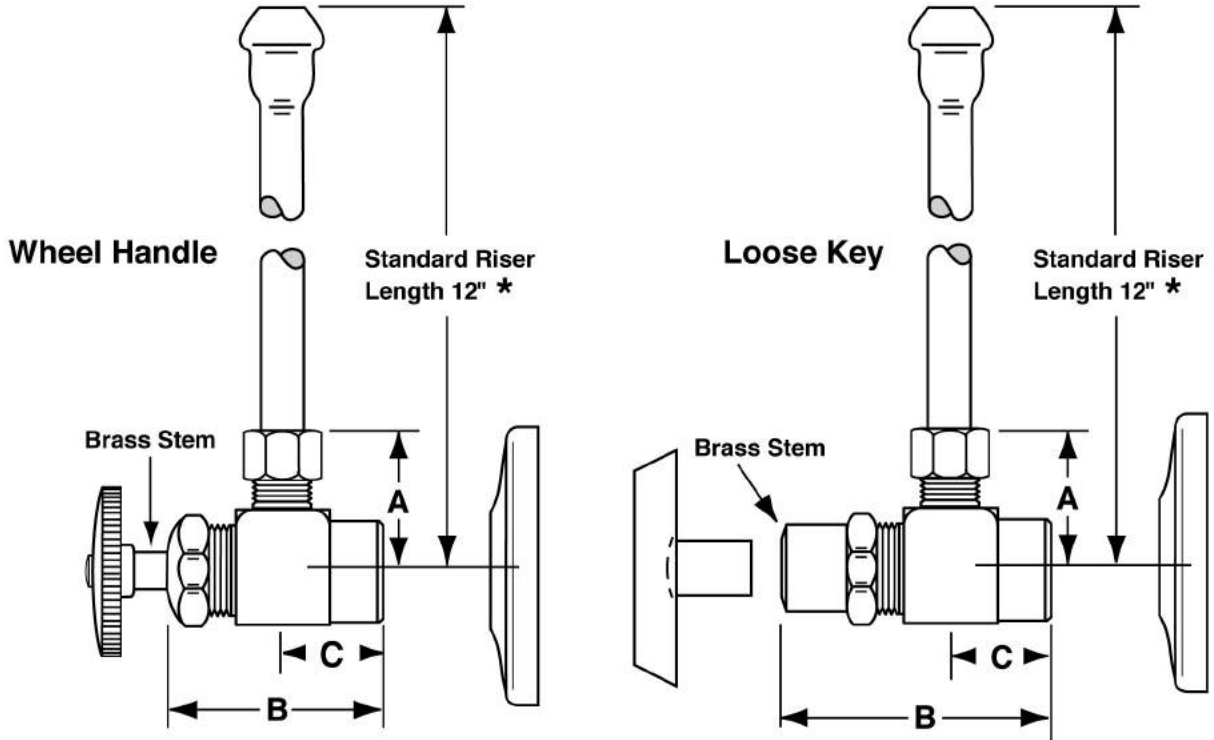
**Part No.**

**LFCK2165**

**Integral Check Supply Kit  
 1/2" I.P.S. x O.D.**

**Job Name:**

**Submittal Number:**



NO.	DESCRIPTION	ROUGHING MEASUREMENTS		
		A	B	C
LFCK2165	1/2" I.P.S. x 3/8" O.D.	1-3/8"	1-15/16"	1"

LK designates Loose Key

\* See options and accessories section for details on product variations.



**Specifications:**

Supply kit shall include lead free integral check chrome plated brass stops with full turn brass stem, no plastic, (12, 15, 20) inch chrome plated copper risers and (shallow, deep, bell) (steel or brass) or (forged brass with set screw) flange. Inlet shall be (3/8, 1/2) inch (IPS, sweat, compression). Outlet shall be (3/8, 1/2) inch (IPS, compression). Supply kit shall be McGuire \_\_\_\_\_ . Supply kit shall be certified by recognized authority and bear manufacturer and testing mark.

**WARNING:**

This product can expose you to chemicals including lead, which is known to the State of California to cause cancer, and birth defects or other reproductive harm. For more information go to [www.P65Warnings.ca.gov](http://www.P65Warnings.ca.gov).



# McGuire Manufacturing Co., Inc.

60 Grandview Court  
Cheshire, Connecticut 06410  
(203) 699-1801 Fax (203) 699-1813  
customerservice@mcguiremfg.com mcguiremfg.com

## PRODUCT SPECIFICATION

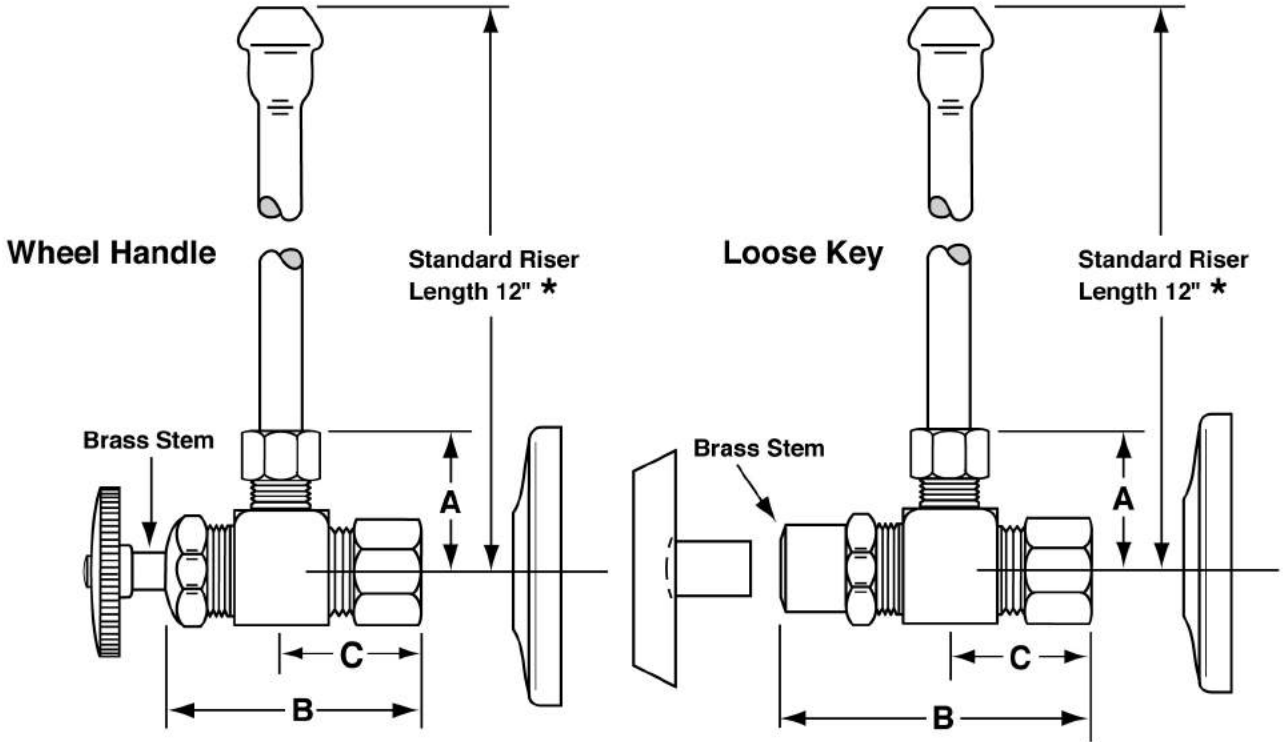
Part No.

# LFCK2165CC

### Integral Check Supply Kit 1/2" Nominal x O.D.

Job Name:

Submittal Number:



NO.	DESCRIPTION	ROUGHING MEASUREMENTS		
		A	B	C
LFCK2165CC	1/2" Nominal x 3/8" O.D.	1-3/8"	2-1/4"	1-3/8"

LK designates Loose Key

\* See options and accessories section for details on product variations.



## Specifications:

Supply kit shall include lead free chrome plated integral check supply brass stop valves with full turn brass stem, no plastic, (12, 15, 20) inch chrome plated risers and (shallow, deep, bell) (steel, brass) or (forged brass with set screw) flange. Inlet shall be (3/8, 1/2) inch compression. Outlet shall be (3/8, 1/2) inch compression. Supply kit shall be McGuire \_\_\_\_\_ . Supply kit shall be certified by recognized authority and bear manufacturer and testing mark.

### WARNING:

This product can expose you to chemicals including lead, which is known to the State of California to cause cancer, and birth defects or other reproductive harm. For more information go to [www.P65Warnings.ca.gov](http://www.P65Warnings.ca.gov).



**McGuire Manufacturing Co., Inc.**

60 Grandview Court  
 Cheshire, Connecticut 06410  
 (203) 699-1801 Fax (203) 699-1813  
 customerservice@mcguiremfg.com mcguiremfg.com

**PRODUCT SPECIFICATION**

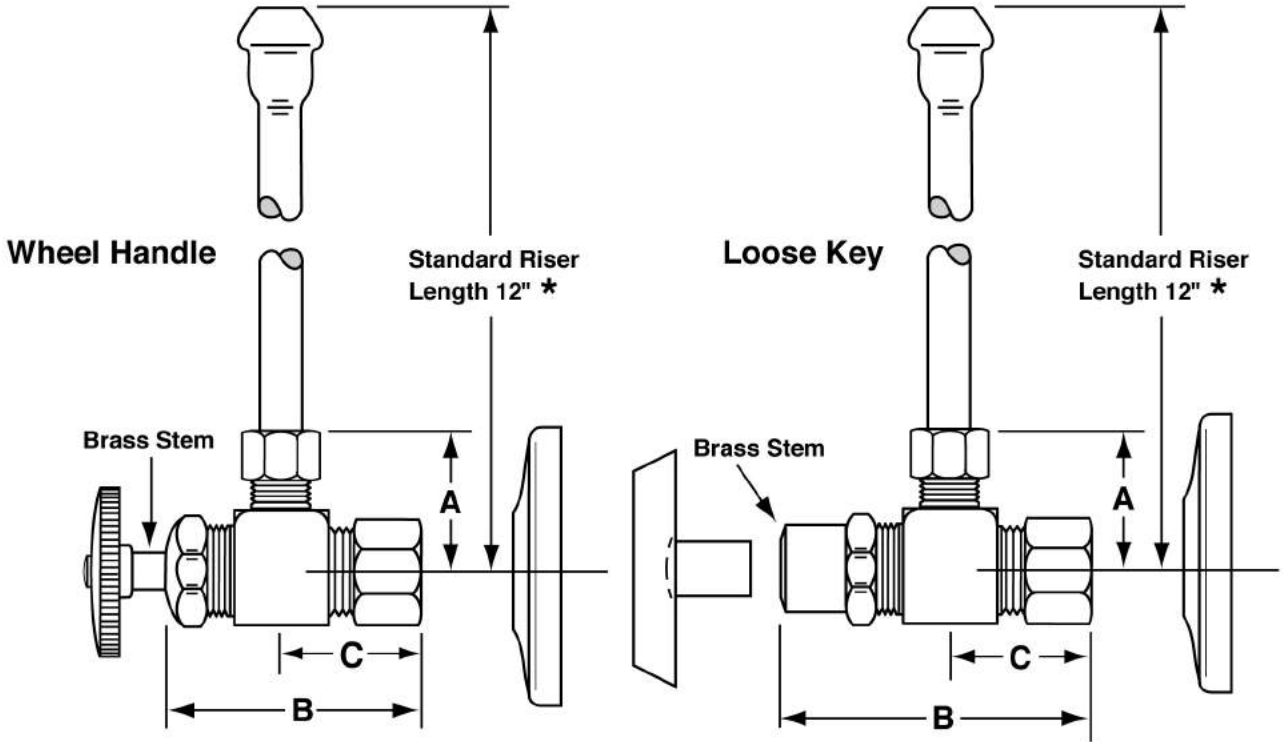
**Part No.**

**LFCK2165CCEA**

**Integral Check Supply Kit  
 1/2" Nominal x O.D.**

**Job Name:**

**Submittal Number:**



NO.	DESCRIPTION	ROUGHING MEASUREMENTS		
		A	B	C
LFCK2165CCEA	1/2" Nominal x 3/8" O.D.	1-3/8"	2-1/4"	1-3/8"

LK designates Loose Key

\* See options and accessories section for details on product variations.



**Specifications:**

Supply kit shall include lead free chrome plated integral check supply brass stop valves with full turn brass stem, no plastic, (12, 15, 20) inch chrome plated risers and (shallow, deep, bell) (steel, brass) or (forged brass with set screw) flange. Inlet shall be (3/8, 1/2) inch compression. Outlet shall be (3/8, 1/2) inch compression. Supply kit shall be McGuire \_\_\_\_\_ . Supply kit shall be certified by recognized authority and bear manufacturer and testing mark.

**WARNING:**

This product can expose you to chemicals including lead, which is known to the State of California to cause cancer, and birth defects or other reproductive harm. For more information go to [www.P65Warnings.ca.gov](http://www.P65Warnings.ca.gov).





# McGuire Manufacturing Co., Inc.

60 Grandview Court  
Cheshire, Connecticut 06410  
(203) 699-1801 Fax (203) 699-1813  
customerservice@mcguiremfg.com mcguiremfg.com

Part No.

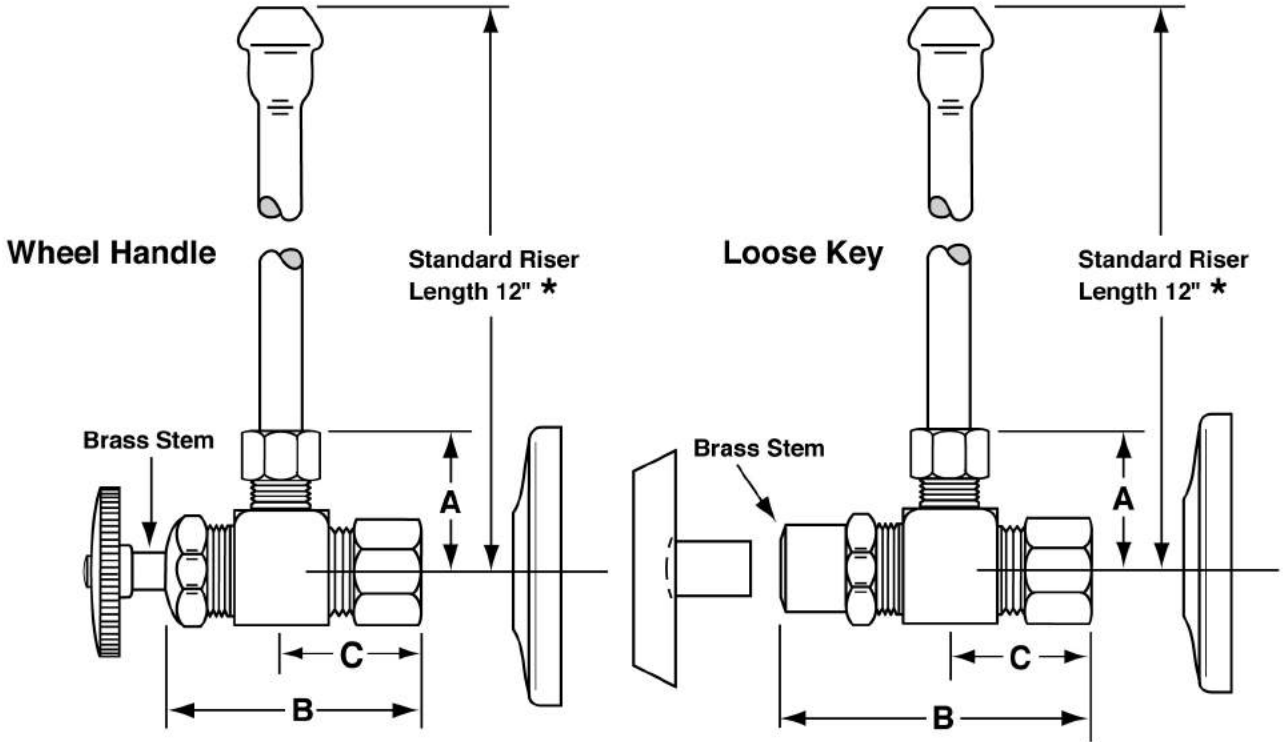
## LFCK2165CCLK

Integral Check Supply Kit  
1/2" Nominal x O.D.

### PRODUCT SPECIFICATION

Job Name:

Submittal Number:



NO.	DESCRIPTION	ROUGHING MEASUREMENTS		
		A	B	C
LFCK2165CCLK	1/2" Nominal x 3/8" O.D.	1-3/8"	2-1/4"	1-3/8"

LK designates Loose Key

\* See options and accessories section for details on product variations.



## Specifications:

Supply kit shall include lead free chrome plated integral check supply brass stop valves with full turn brass stem, no plastic, (12, 15, 20) inch chrome plated risers and (shallow, deep, bell) (steel, brass) or (forged brass with set screw) flange. Inlet shall be (3/8, 1/2) inch compression. Outlet shall be (3/8, 1/2) inch compression. Supply kit shall be McGuire \_\_\_\_\_ . Supply kit shall be certified by recognized authority and bear manufacturer and testing mark.

### WARNING:

This product can expose you to chemicals including lead, which is known to the State of California to cause cancer, and birth defects or other reproductive harm. For more information go to [www.P65Warnings.ca.gov](http://www.P65Warnings.ca.gov).



**McGuire Manufacturing Co., Inc.**

60 Grandview Court  
 Cheshire, Connecticut 06410  
 (203) 699-1801 Fax (203) 699-1813  
 customerservice@mcguiremfg.com mcguiremfg.com

**PRODUCT SPECIFICATION**

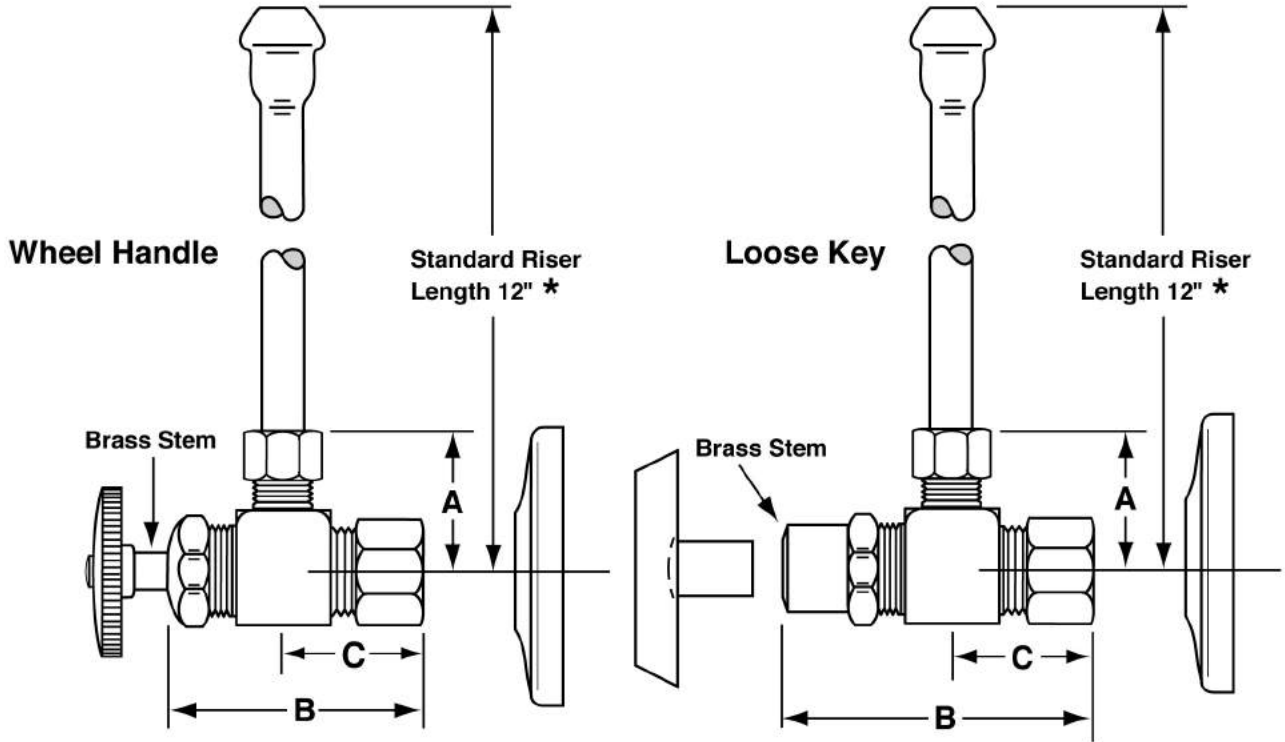
**Part No.**

**LFCK2165CCLKEA**

**Integral Check Supply Kit  
 1/2" Nominal x O.D.**

**Job Name:**

**Submittal Number:**



NO.	DESCRIPTION	ROUGHING MEASUREMENTS		
		A	B	C
LFCK2165CCLKEA	1/2" Nominal x 3/8" O.D.	1-3/8"	2-1/4"	1-3/8"

**LK** designates Loose Key

\* See options and accessories section for details on product variations.



**Specifications:**

Supply kit shall include lead free chrome plated integral check supply brass stop valves with full turn brass stem, no plastic, (12, 15, 20) inch chrome plated risers and (shallow, deep, bell) (steel, brass) or (forged brass with set screw) flange. Inlet shall be (3/8, 1/2) inch compression. Outlet shall be (3/8, 1/2) inch compression. Supply kit shall be McGuire \_\_\_\_\_ . Supply kit shall be certified by recognized authority and bear manufacturer and testing mark.

**WARNING:**

This product can expose you to chemicals including lead, which is known to the State of California to cause cancer, and birth defects or other reproductive harm. For more information go to [www.P65Warnings.ca.gov](http://www.P65Warnings.ca.gov).



**McGuire Manufacturing Co., Inc.**

60 Grandview Court  
 Cheshire, Connecticut 06410  
 (203) 699-1801 Fax (203) 699-1813  
 customerservice@mcguiremfg.com mcguiremfg.com

**PRODUCT SPECIFICATION**

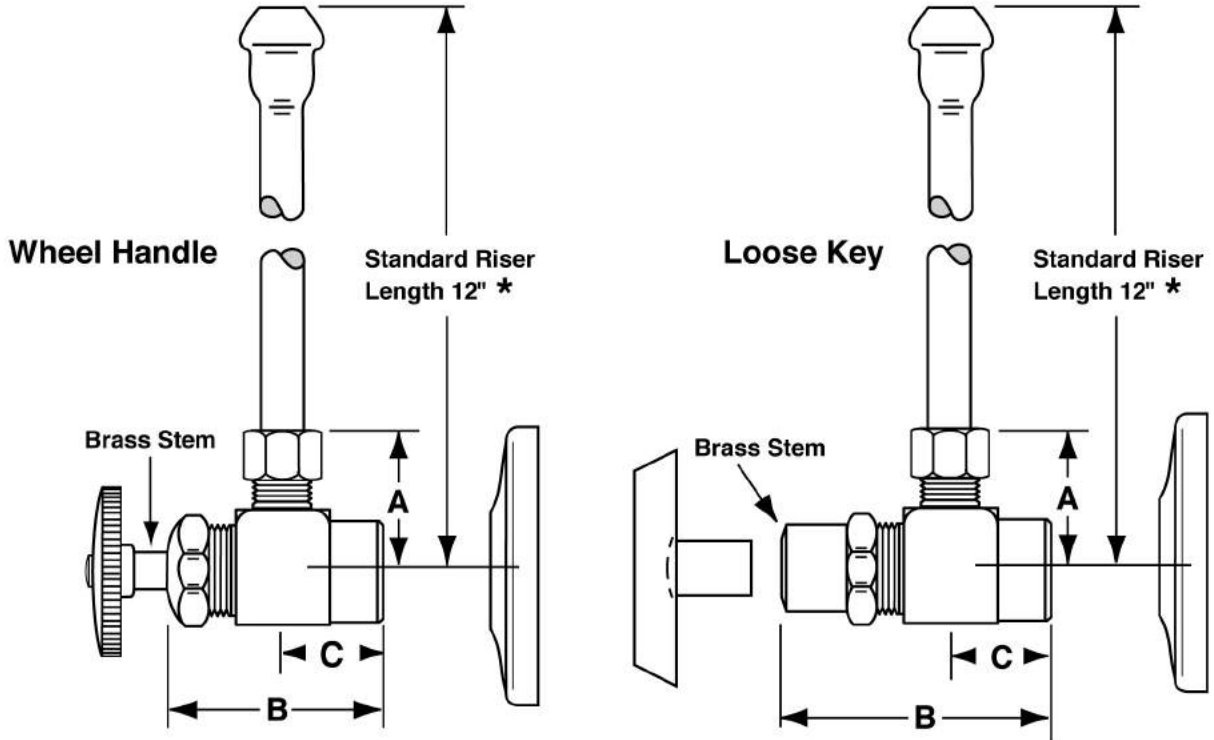
**Part No.**

**LFCK2165LK**

**Integral Check Supply Kit  
 1/2" I.P.S. x O.D.**

**Job Name:**

**Submittal Number:**



NO.	DESCRIPTION	ROUGHING MEASUREMENTS		
		A	B	C
LFCK2165LK	1/2" I.P.S. x 3/8" O.D.	1-3/8"	1-15/16"	1"

- Rated Operating Pressure: 20-125 PSI
- Rated Operating Temperature: 40-140°F
- Note: 180°F max. during temporary high-temperature system flush



**LK** designates Loose Key

\* See options and accessories section for details on product variations.

**Specifications:**

Supply kit shall include lead free integral check chrome plated brass stops with full turn brass stem, no plastic, (12, 15, 20) inch chrome plated copper risers and (shallow, deep, bell) (steel or brass) or (forged brass with set screw) flange. Inlet shall be (3/8, 1/2) inch (IPS, sweat, compression). Outlet shall be (3/8, 1/2) inch (IPS, compression). Supply kit shall be McGuire \_\_\_\_\_ . Supply kit shall be certified by recognized authority and bear manufacturer and testing mark.

**WARNING:**

This product can expose you to chemicals including lead, which is known to the State of California to cause cancer, and birth defects or other reproductive harm. For more information go to [www.P65Warnings.ca.gov](http://www.P65Warnings.ca.gov).



**McGuire Manufacturing Co., Inc.**

60 Grandview Court  
 Cheshire, Connecticut 06410  
 (203) 699-1801 Fax (203) 699-1813  
 customerservice@mcguiremfg.com mcguiremfg.com

**PRODUCT SPECIFICATION**

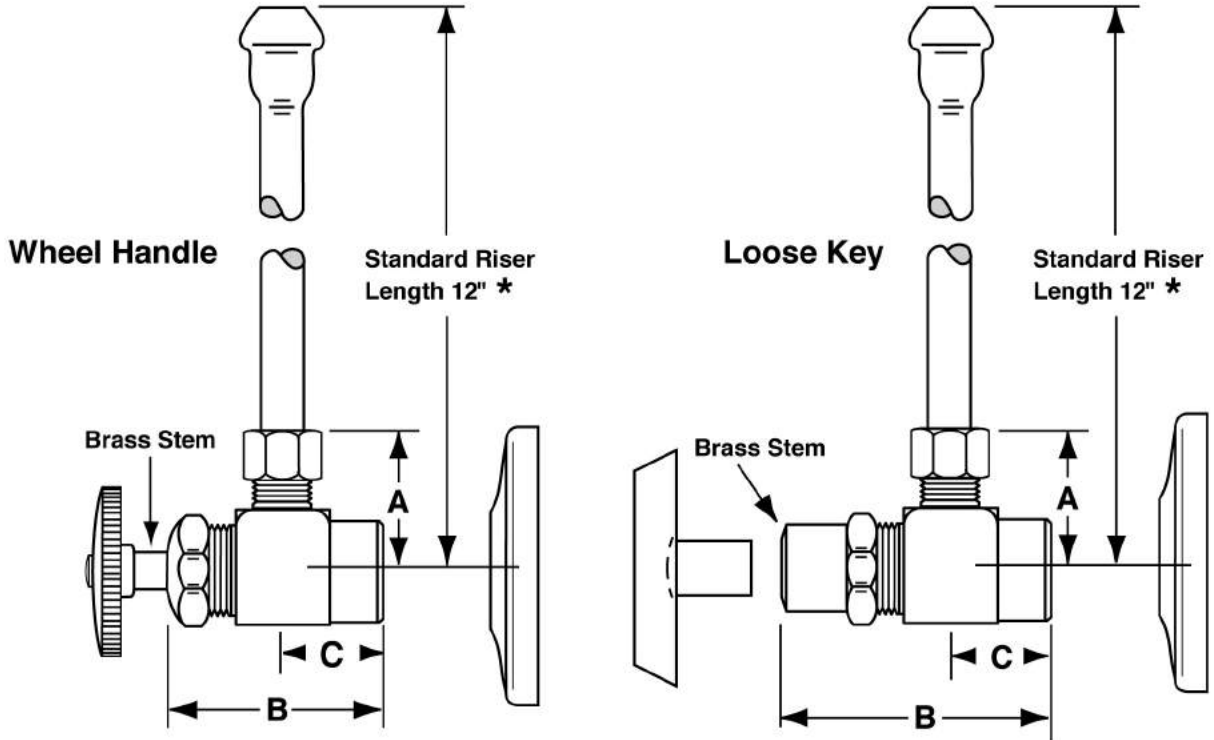
**Part No.**

**LFCK2165LKEA**

**Integral Check Supply Kit  
 1/2" I.P.S. x O.D.**

**Job Name:**

**Submittal Number:**



NO.	DESCRIPTION	ROUGHING MEASUREMENTS		
		A	B	C
LFCK2165LKEA	1/2" I.P.S. x 3/8" O.D.	1-3/8"	1-15/16"	1"

**LK** designates Loose Key

\* See options and accessories section for details on product variations.



**Specifications:**

Supply kit shall include lead free integral check chrome plated brass stops with full turn brass stem, no plastic, (12, 15, 20) inch chrome plated copper risers and (shallow, deep, bell) (steel or brass) or (forged brass with set screw) flange. Inlet shall be (3/8, 1/2) inch (IPS, sweat, compression). Outlet shall be (3/8, 1/2) inch (IPS, compression). Supply kit shall be McGuire \_\_\_\_\_. Supply kit shall be certified by recognized authority and bear manufacturer and testing mark.

**WARNING:**

This product can expose you to chemicals including lead, which is known to the State of California to cause cancer, and birth defects or other reproductive harm. For more information go to [www.P65Warnings.ca.gov](http://www.P65Warnings.ca.gov).





**McGuire Manufacturing Co., Inc.**

60 Grandview Court  
 Cheshire, Connecticut 06410  
 (203) 699-1801 Fax (203) 699-1813  
 customerservice@mcguiremfg.com mcguiremfg.com

**PRODUCT SPECIFICATION**

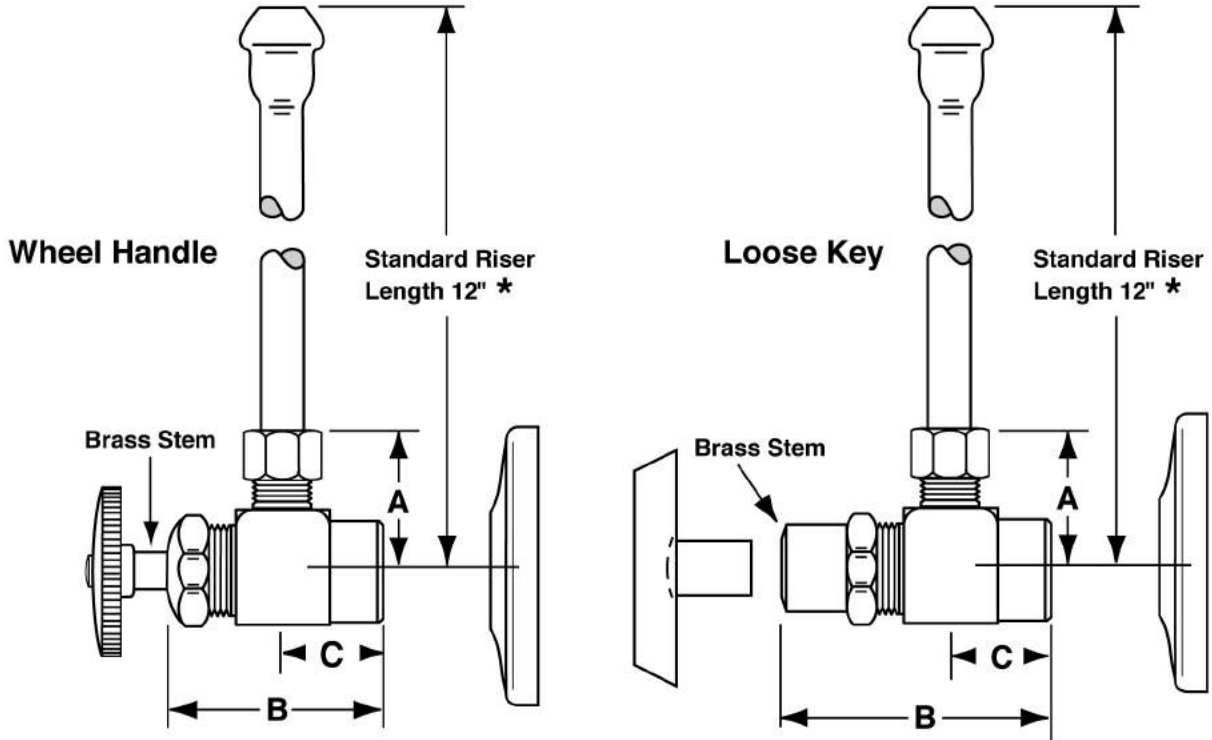
**Part No.**

**LFCK2167**

**Integral Check Supply Kit  
 1/2" I.P.S. x O.D.**

**Job Name:**

**Submittal Number:**



NO.	DESCRIPTION	ROUGHING MEASUREMENTS		
		A	B	C
LFCK2167	1/2" I.P.S. x 1/2" O.D.	1-3/8"	1-15/16"	1"

**LK** designates Loose key

\* See options and accessories section for details on product variations.



**Specifications:**

Supply kit shall include lead free integral check chrome plated brass stops with full turn brass stem, no plastic, (12, 15, 20) inch chrome plated copper risers and (shallow, deep, bell) (steel or brass) or (forged brass with set screw) flange. Inlet shall be (3/8, 1/2) inch (IPS, sweat, compression). Outlet shall be (3/8, 1/2) inch (IPS, compression). Supply kit shall be McGuire \_\_\_\_\_ . Supply kit shall be certified by recognized authority and bear manufacturer and testing mark.

**! WARNING:**

This product can expose you to chemicals including lead, which is known to the State of California to cause cancer, and birth defects or other reproductive harm. For more information go to [www.P65Warnings.ca.gov](http://www.P65Warnings.ca.gov).



**McGuire Manufacturing Co., Inc.**

60 Grandview Court  
 Cheshire, Connecticut 06410  
 (203) 699-1801 Fax (203) 699-1813  
 customerservice@mcguiremfg.com mcguiremfg.com

**PRODUCT SPECIFICATION**

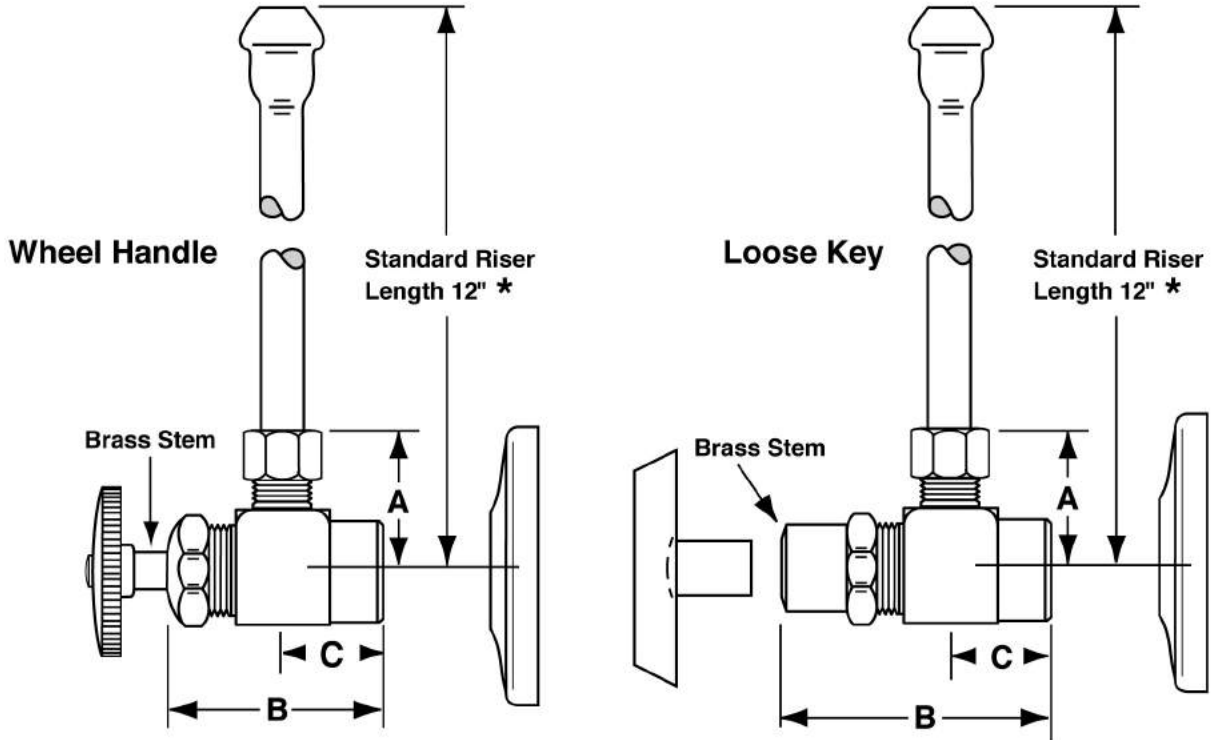
**Part No.**

**LFCK2167EA**

**Integral Check Supply Kit  
 1/2" I.P.S. x O.D.**

**Job Name:**

**Submittal Number:**



NO.	DESCRIPTION	ROUGHING MEASUREMENTS		
		A	B	C
LFCK2167EA	1/2" I.P.S. x 1/2" O.D.	1-3/8"	1-15/16"	1"

**LK** designates Loose key

\* See options and accessories section for details on product variations.



**Specifications:**

Supply kit shall include lead free integral check chrome plated brass stops with full turn brass stem, no plastic, (12, 15, 20) inch chrome plated copper risers and (shallow, deep, bell) (steel or brass) or (forged brass with set screw) flange. Inlet shall be (3/8, 1/2) inch (IPS, sweat, compression). Outlet shall be (3/8, 1/2) inch (IPS, compression). Supply kit shall be McGuire \_\_\_\_\_ . Supply kit shall be certified by recognized authority and bear manufacturer and testing mark.

**WARNING:**

This product can expose you to chemicals including lead, which is known to the State of California to cause cancer, and birth defects or other reproductive harm. For more information go to [www.P65Warnings.ca.gov](http://www.P65Warnings.ca.gov).



# McGuire Manufacturing Co., Inc.

60 Grandview Court  
 Cheshire, Connecticut 06410  
 (203) 699-1801 Fax (203) 699-1813  
 customerservice@mcguiremfg.com mcguiremfg.com

## PRODUCT SPECIFICATION

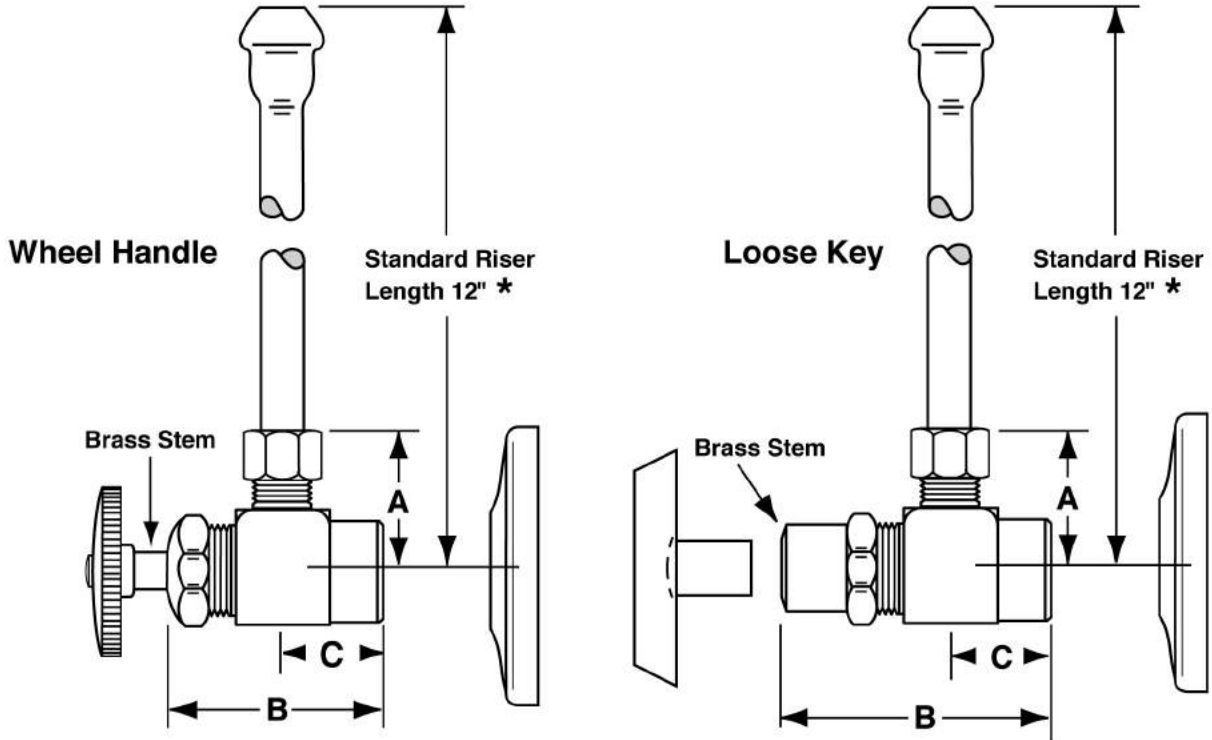
**Part No.**

**LFCK2167LK**

**Integral Check Supply Kit  
 1/2" I.P.S. x O.D.**

**Job Name:**

**Submittal Number:**



NO.	DESCRIPTION	ROUGHING MEASUREMENTS		
		A	B	C
LFCK2167LK	1/2" I.P.S. x 1/2" O.D.	1-3/8"	1-15/16"	1"

**LK** designates Loose key

\* See options and accessories section for details on product variations.



## Specifications:

Supply kit shall include lead free integral check chrome plated brass stops with full turn brass stem, no plastic, (12, 15, 20) inch chrome plated copper risers and (shallow, deep, bell) (steel or brass) or (forged brass with set screw) flange. Inlet shall be (3/8, 1/2) inch (IPS, sweat, compression). Outlet shall be (3/8, 1/2) inch (IPS, compression). Supply kit shall be McGuire \_\_\_\_\_ . Supply kit shall be certified by recognized authority and bear manufacturer and testing mark.

### **WARNING:**

This product can expose you to chemicals including lead, which is known to the State of California to cause cancer, and birth defects or other reproductive harm. For more information go to [www.P65Warnings.ca.gov](http://www.P65Warnings.ca.gov).



**McGuire Manufacturing Co., Inc.**

60 Grandview Court  
 Cheshire, Connecticut 06410  
 (203) 699-1801 Fax (203) 699-1813  
 customerservice@mcguiremfg.com mcguiremfg.com

**PRODUCT SPECIFICATION**

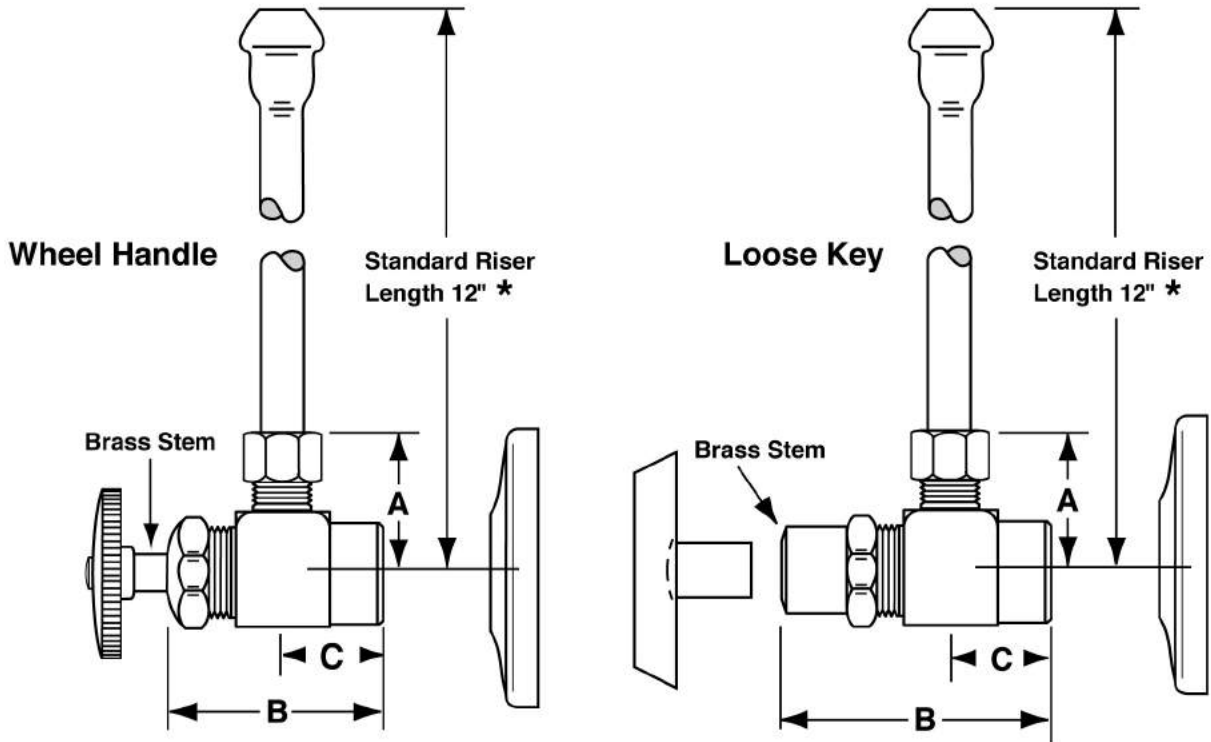
**Part No.**

**LFCK2167LKEA**

**Integral Check Supply Kit  
 1/2" I.P.S. x O.D.**

**Job Name:**

**Submittal Number:**



NO.	DESCRIPTION	ROUGHING MEASUREMENTS		
		A	B	C
LFCK2167LKEA	1/2" I.P.S. x 1/2" O.D.	1-3/8"	1-15/16"	1"

**LK** designates Loose key

\* See options and accessories section for details on product variations.



**Specifications:**

Supply kit shall include lead free integral check chrome plated brass stops with full turn brass stem, no plastic, (12, 15, 20) inch chrome plated copper risers and (shallow, deep, bell) (steel or brass) or (forged brass with set screw) flange. Inlet shall be (3/8, 1/2) inch (IPS, sweat, compression). Outlet shall be (3/8, 1/2) inch (IPS, compression). Supply kit shall be McGuire \_\_\_\_\_ . Supply kit shall be certified by recognized authority and bear manufacturer and testing mark.

**! WARNING:**

This product can expose you to chemicals including lead, which is known to the State of California to cause cancer, and birth defects or other reproductive harm. For more information go to [www.P65Warnings.ca.gov](http://www.P65Warnings.ca.gov).





# McGuire Manufacturing Co., Inc.

60 Grandview Court  
Cheshire, Connecticut 06410  
(203) 699-1801 Fax (203) 699-1813  
customerservice@mcguiremfg.com mcguiremfg.com

## PRODUCT SPECIFICATION

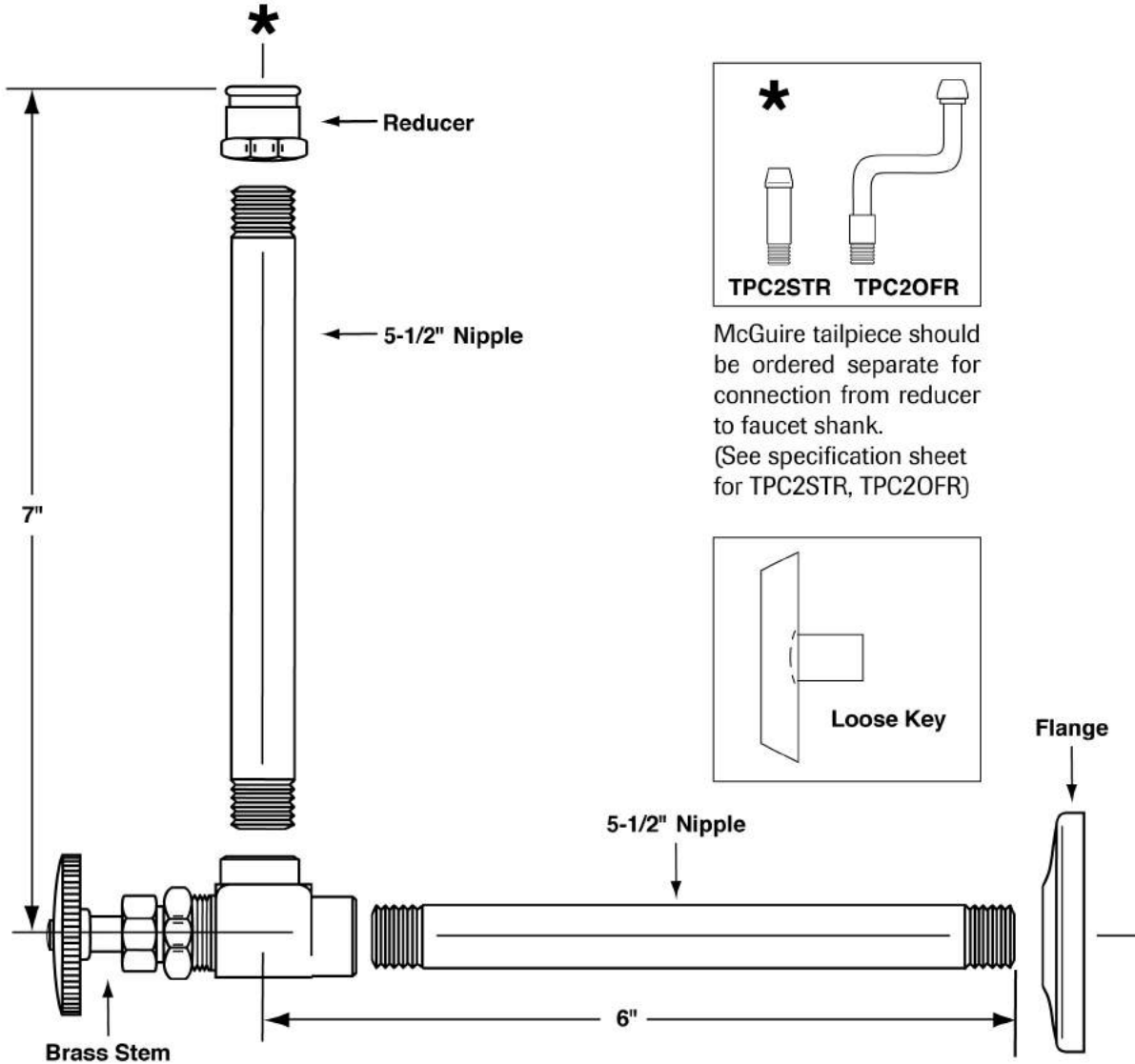
Part No.

# LFH158

## Heavy Rigid Lavatory Supply 3/8" I.P.S.

Job Name:

Submittal Number:



McGuire tailpiece should be ordered separate for connection from reducer to faucet shank.  
(See specification sheet for TPC2STR, TPC2OFR)

**LK** designates Loose Key

See options and accessories section for details on product variations.



## Specifications:

Rigid supply kit shall include lead free chrome plated brass stops with threaded connections, stuffing box, full turn brass stem, no plastic, cast brass nipples, cast brass reducer and (steel, brass) or (forged brass with set screw) flange. Inlet shall be 3/8 inch IPS. Outlet shall be 3/8 inch IPS. Supply kit shall be McGuire \_\_\_\_\_ . Supply kit shall be certified by recognized testing authority and shall bear manufacturer and testing mark.

### WARNING:

This product can expose you to chemicals including lead, which is known to the State of California to cause cancer, and birth defects or other reproductive harm. For more information go to [www.P65Warnings.ca.gov](http://www.P65Warnings.ca.gov).



# McGuire Manufacturing Co., Inc.

60 Grandview Court  
Cheshire, Connecticut 06410  
(203) 699-1801 Fax (203) 699-1813  
customerservice@mcguiremfg.com mcguiremfg.com

## PRODUCT SPECIFICATION

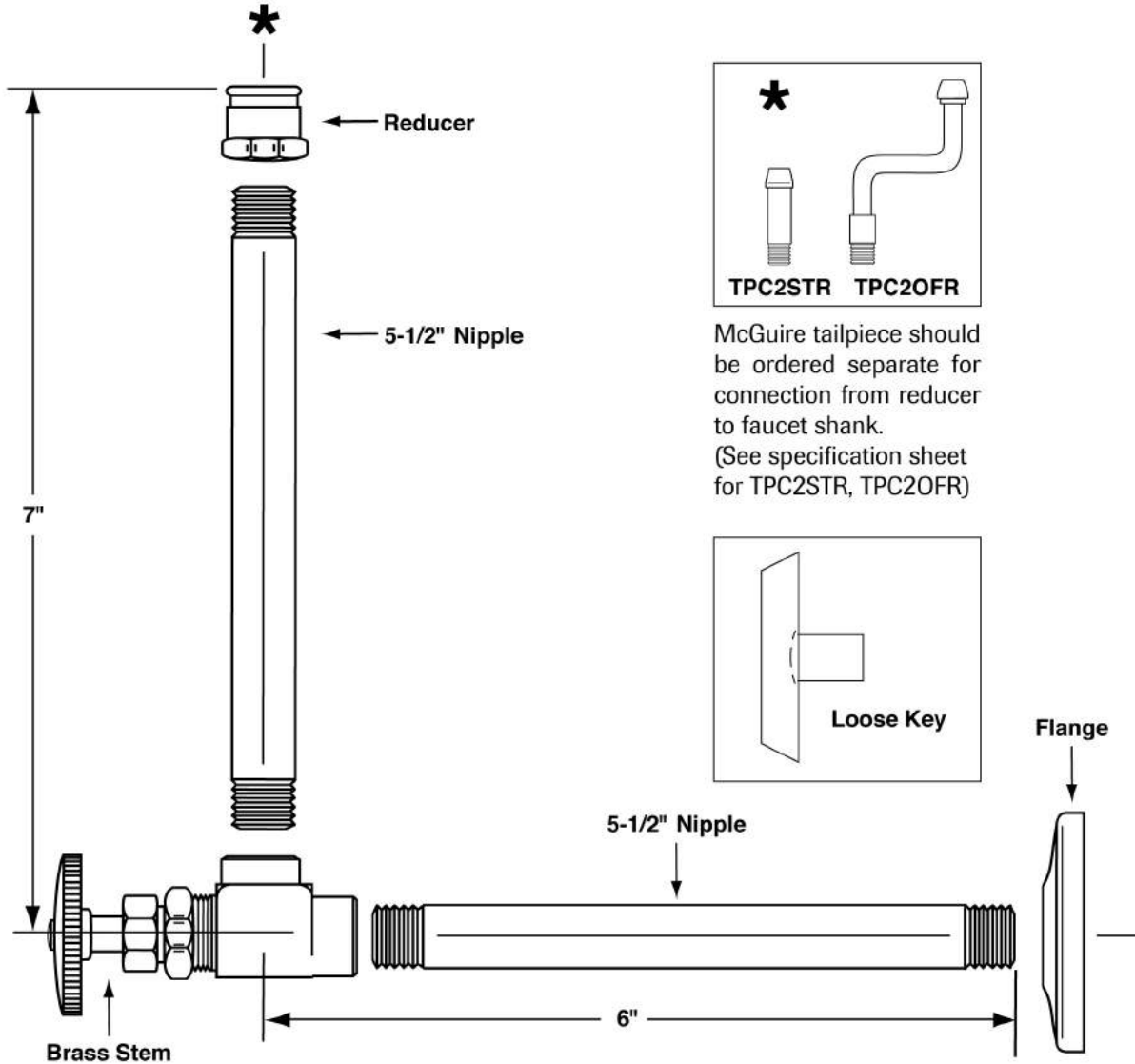
Part No.

# LFH158LK

## Heavy Rigid Lavatory Supply 3/8" I.P.S.

Job Name:

Submittal Number:



McGuire tailpiece should be ordered separate for connection from reducer to faucet shank.  
(See specification sheet for TPC2STR, TPC2OFR)

**LK** designates Loose Key

See options and accessories section for details on product variations.



## Specifications:

Rigid supply kit shall include lead free chrome plated brass stops with threaded connections, stuffing box, full turn brass stem, no plastic, cast brass nipples, cast brass reducer and (steel, brass) or (forged brass with set screw) flange. Inlet shall be 3/8 inch IPS. Outlet shall be 3/8 inch IPS. Supply kit shall be McGuire \_\_\_\_\_ . Supply kit shall be certified by recognized testing authority and shall bear manufacturer and testing mark.

### WARNING:

This product can expose you to chemicals including lead, which is known to the State of California to cause cancer, and birth defects or other reproductive harm. For more information go to [www.P65Warnings.ca.gov](http://www.P65Warnings.ca.gov).



# McGuire Manufacturing Co., Inc.

60 Grandview Court  
Cheshire, Connecticut 06410  
(203) 699-1801 Fax (203) 699-1813  
customerservice@mcguiremfg.com mcguiremfg.com

## PRODUCT SPECIFICATION

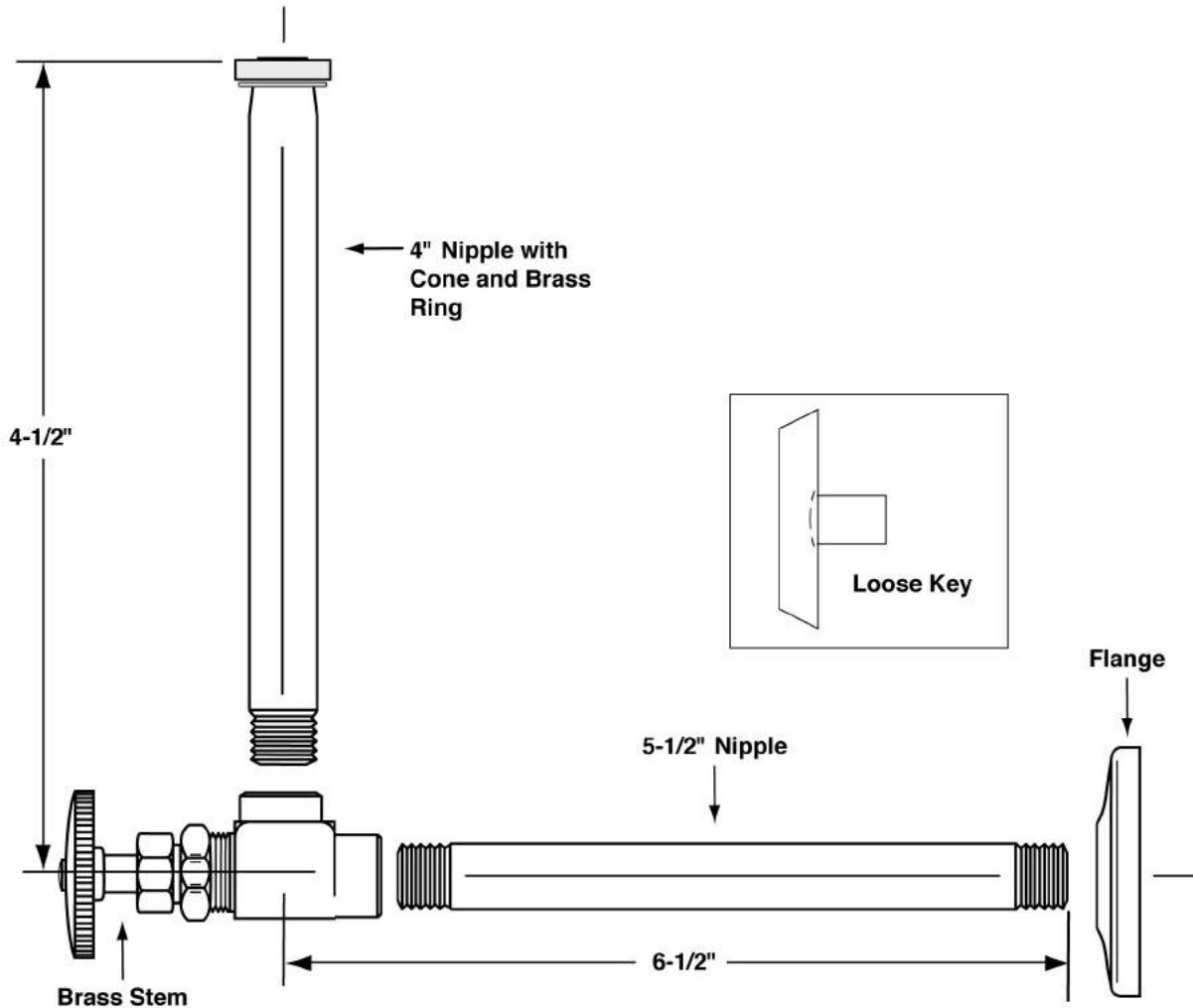
Part No.

LFH159

Heavy Rigid Closet  
Supply 3/8" I.P.S.

Job Name:

Submittal Number:



LK designates Loose Key

See options and accessories section for details on product variations.



## Specifications:

Rigid supply kit shall include lead free chrome plated brass stops with threaded connections, stuffing box, full turn brass stem, no plastic, cast brass nipples, cast brass reducer and (steel, brass) or (forged brass with set screw) flange. Inlet shall be 3/8 inch IPS. Outlet shall be 3/8 inch IPS. Supply kit shall be McGuire \_\_\_\_\_. Supply kit shall be certified by recognized testing authority and shall bear manufacturer and testing mark.



### WARNING:

This product can expose you to chemicals including lead, which is known to the State of California to cause cancer, and birth defects or other reproductive harm. For more information go to [www.P65Warnings.ca.gov](http://www.P65Warnings.ca.gov).



# McGuire Manufacturing Co., Inc.

60 Grandview Court  
Cheshire, Connecticut 06410  
(203) 699-1801 Fax (203) 699-1813  
customerservice@mcguiremfg.com mcguiremfg.com

## PRODUCT SPECIFICATION

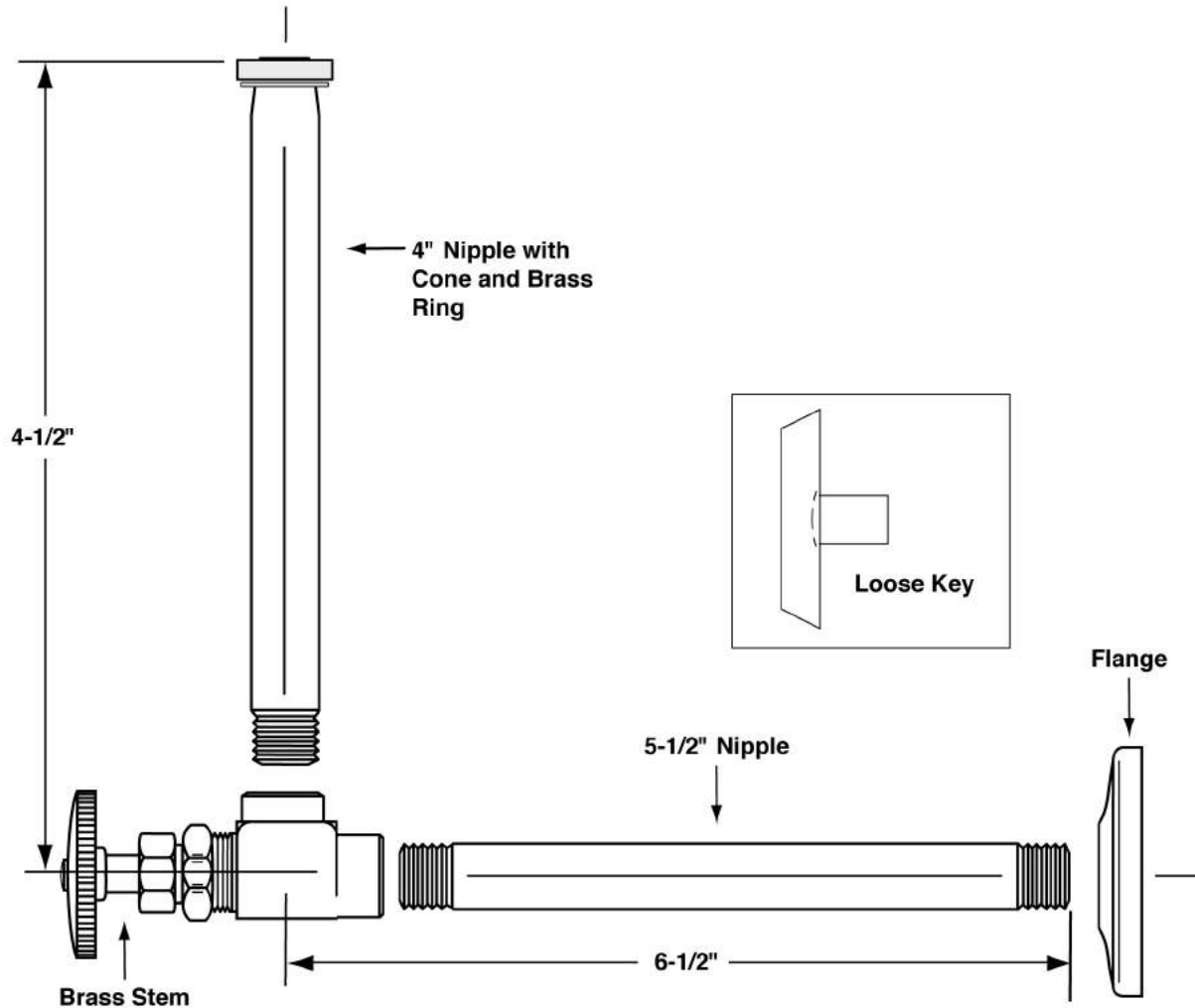
Part No.

# LFH159LK

## Heavy Rigid Closet Supply 3/8" I.P.S.

Job Name:

Submittal Number:



**LK** designates Loose Key

See options and accessories section for details on product variations.



## Specifications:

Rigid supply kit shall include lead free chrome plated brass stops with threaded connections, stuffing box, full turn brass stem, no plastic, cast brass nipples, cast brass reducer and (steel, brass) or (forged brass with set screw) flange. Inlet shall be 3/8 inch IPS. Outlet shall be 3/8 inch IPS. Supply kit shall be McGuire \_\_\_\_\_ . Supply kit shall be certified by recognized testing authority and shall bear manufacturer and testing mark.



### WARNING:

This product can expose you to chemicals including lead, which is known to the State of California to cause cancer, and birth defects or other reproductive harm. For more information go to [www.P65Warnings.ca.gov](http://www.P65Warnings.ca.gov).





# McGuire Manufacturing Co., Inc.

60 Grandview Court  
 Cheshire, Connecticut 06410  
 (203) 699-1801 Fax (203) 699-1813  
 customerservice@mcguiremfg.com mcguiremfg.com

## PRODUCT SPECIFICATION

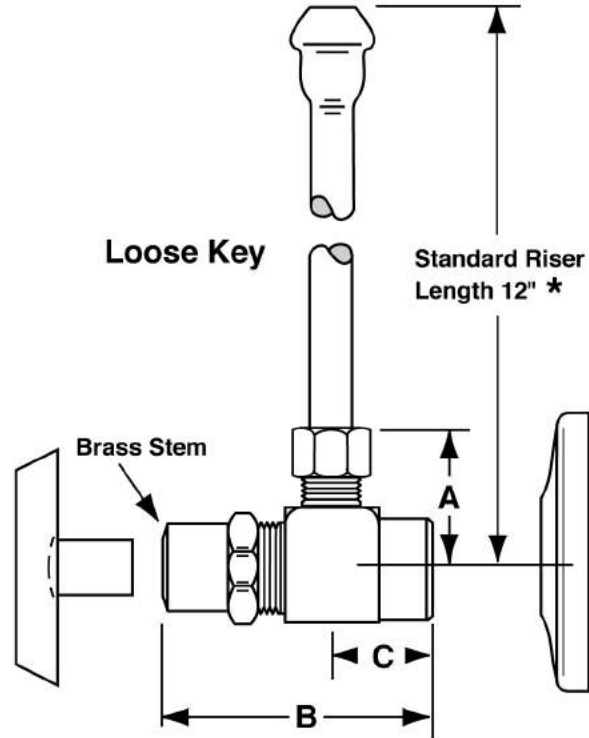
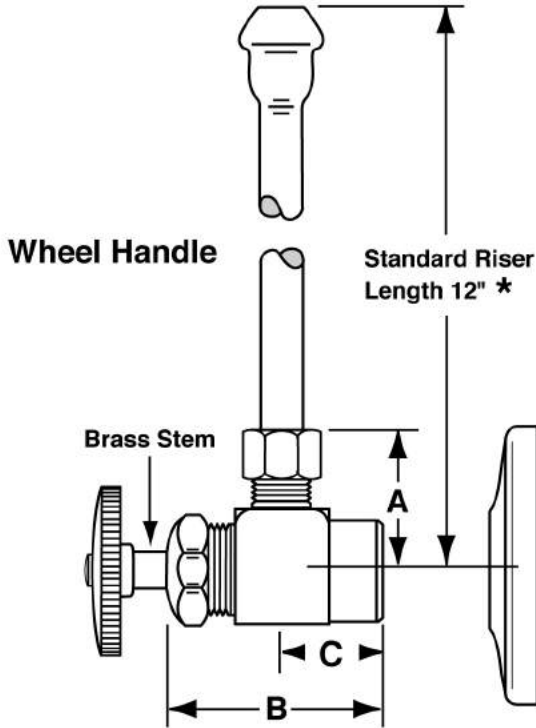
Part No.

**LFH165**

**Heavy Lavatory Supply**  
**3/8" I.P.S. x O.D.**

**Job Name:**

**Submittal Number:**



NO.	DESCRIPTION	ROUGHING MEASUREMENTS		
		A	B	C
<b>LFH165</b>	3/8" I.P.S. x 3/8" O.D.	1-3/8"	1-15/16"	1"



**LK** designates Loose Key

\* See options and accessories section for details on product variations.

## Specifications:

Supply kit shall include lead free heavy pattern chrome plated supply stop valves with full turn brass stem, no plastic, (12, 15, 20) inch chrome plated risers and (shallow, deep, bell) (steel, brass) or (forged brass with set screw) flange. Inlet shall be 3/8 inch IPS. Outlet shall be 3/8 inch compression. Supply kit shall be McGuire \_\_\_\_\_ . Supply shall be certified by recognized authority and bear manufacturer and testing mark.



**WARNING:**

This product can expose you to chemicals including lead, which is known to the State of California to cause cancer, and birth defects or other reproductive harm. For more information go to [www.P65Warnings.ca.gov](http://www.P65Warnings.ca.gov).



# McGuire Manufacturing Co., Inc.

60 Grandview Court  
 Cheshire, Connecticut 06410  
 (203) 699-1801 Fax (203) 699-1813  
 customerservice@mcguiremfg.com mcguiremfg.com

## PRODUCT SPECIFICATION

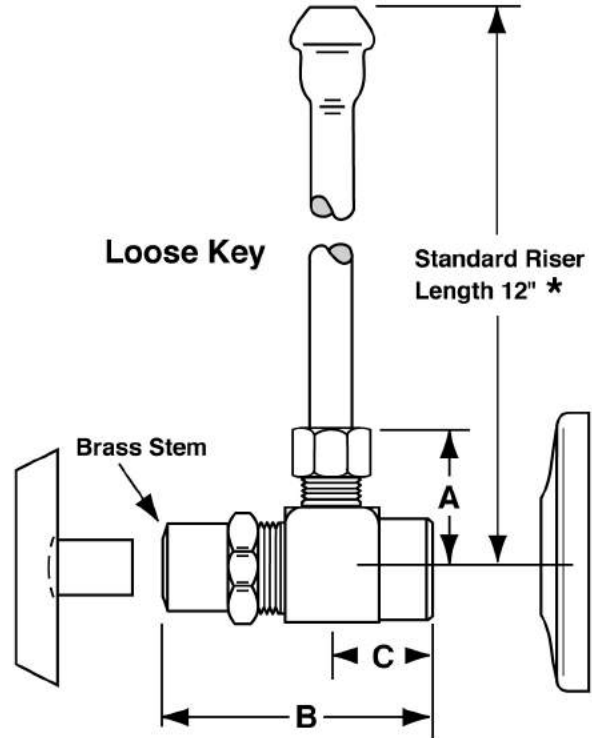
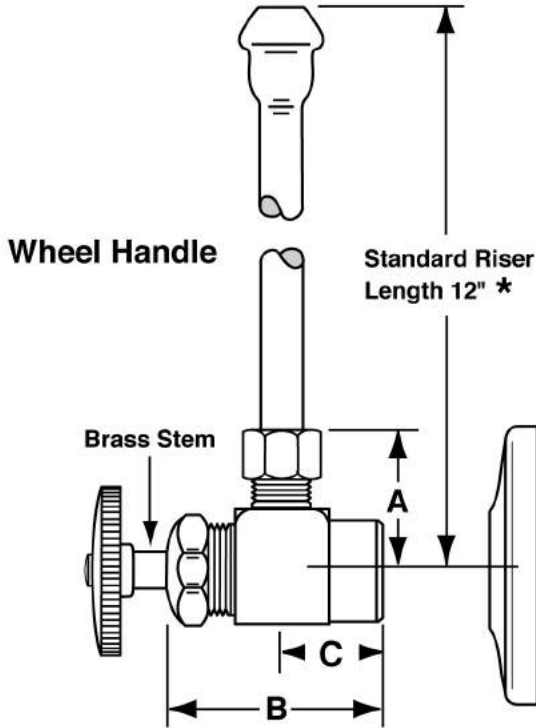
Part No.

**LFH165LK**

**Heavy Lavatory Supply**  
**3/8" I.P.S. x O.D.**

**Job Name:** \_\_\_\_\_

**Submittal Number:** \_\_\_\_\_



NO.	DESCRIPTION	ROUGHING MEASUREMENTS		
		A	B	C
LFH165LK	3/8" I.P.S. x 3/8" O.D.	1-3/8"	2-7/16"	1"



**LK** designates Loose Key

\* See options and accessories section for details on product variations.

## Specifications:

Supply kit shall include lead free heavy pattern chrome plated supply stop valves with full turn brass stem, no plastic, (12, 15, 20) inch chrome plated risers and (shallow, deep, bell) (steel, brass) or (forged brass with set screw) flange. Inlet shall be 3/8 inch IPS. Outlet shall be 3/8 inch compression. Supply kit shall be McGuire \_\_\_\_\_ . Supply shall be certified by recognized authority and bear manufacturer and testing mark.



**WARNING:**

This product can expose you to chemicals including lead, which is known to the State of California to cause cancer, and birth defects or other reproductive harm. For more information go to [www.P65Warnings.ca.gov](http://www.P65Warnings.ca.gov).



**McGuire Manufacturing Co., Inc.**

60 Grandview Court

Cheshire, Connecticut 06410

(203) 699-1801 Fax (203) 699-1813

customerservice@mcguiremfg.com mcguiremfg.com

**PRODUCT SPECIFICATION**

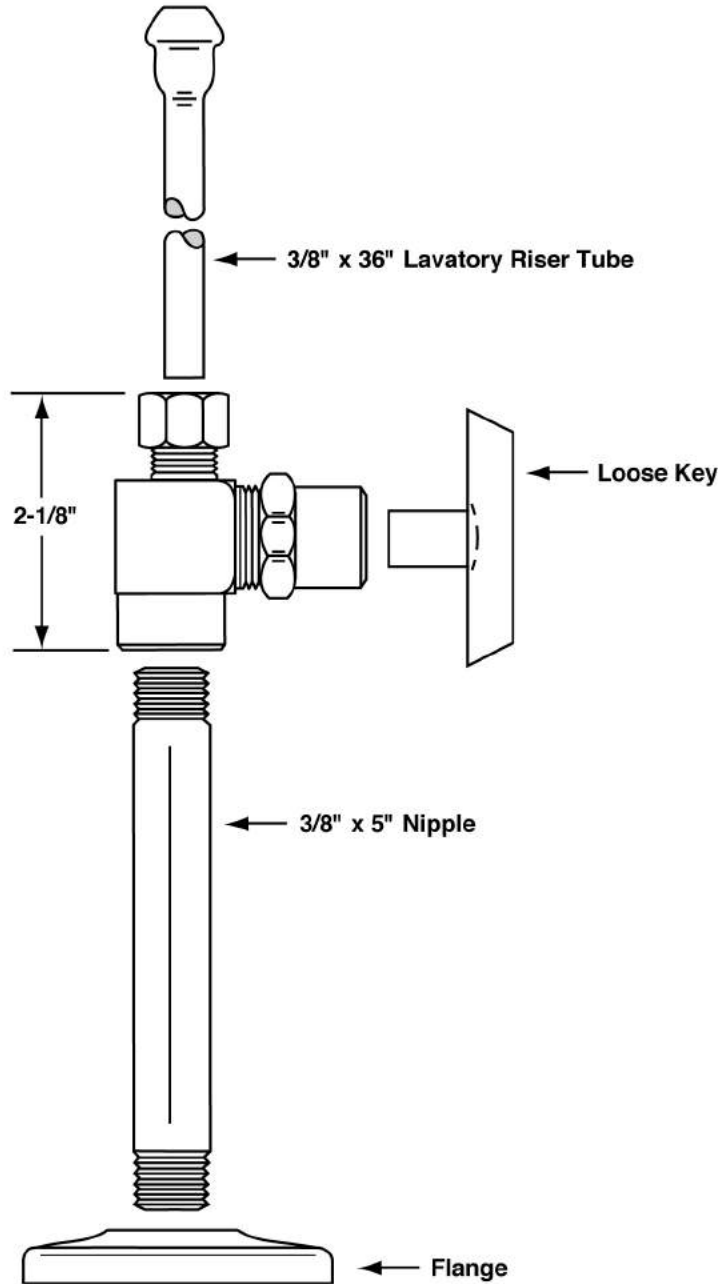
**Part No.**

**LFH165LKHCASPL**

**Hospital Rigid  
Lavatory Supply**

**Job Name:**

**Submittal Number:**



See options and accessories section for details on product variations.

**Specifications:**

Hospital Rigid Supply Kit shall include 3/8 inch chrome plated heavy duty brass stop with full turn brass stem, no plastic, chrome plated cast brass nipples, chrome plated flexible copper riser and (steel, brass) or (forged brass with set screw) flange. Supply kit shall be McGuire \_\_\_\_\_. Supply kit shall be certified by CSA or other recognized testing authority and shall bear manufacturer and testing mark. Stop to be certified to 200 psi line pressure.

**WARNING:**

This product can expose you to chemicals including lead, which is known to the State of California to cause cancer, and birth defects or other reproductive harm. For more information go to [www.P65Warnings.ca.gov](http://www.P65Warnings.ca.gov).



# McGuire Manufacturing Co., Inc.

60 Grandview Court  
 Cheshire, Connecticut 06410  
 (203) 699-1801 Fax (203) 699-1813  
 customerservice@mcguiremfg.com mcguiremfg.com

## PRODUCT SPECIFICATION

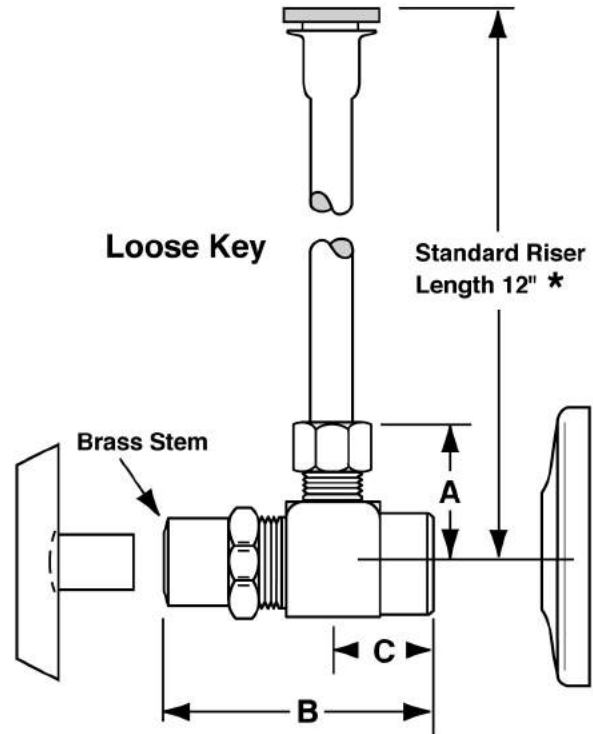
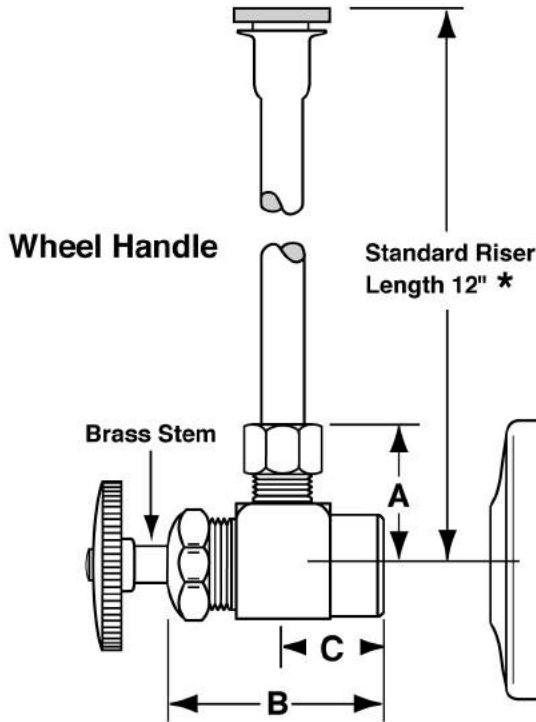
Part No.

**LFH166**

**Heavy Closet Supply**  
**3/8" I.P.S. x O.D.**

**Job Name:**

**Submittal Number:**



NO.	DESCRIPTION	ROUGHING MEASUREMENTS		
		A	B	C
<b>LFH166</b>	3/8" I.P.S. x 3/8" O.D.	1-3/8"	1-15/16"	1"



**LK** designates Loose Key

\* See options and accessories section for details on product variations.

## Specifications:

Supply kit shall include lead free chrome plated heavy pattern brass supply stop valves with full turn brass stem, no plastic, (12, 15, 20) inch chrome plated risers and (shallow, deep, bell) (steel, brass) or (forged brass with set screw) flange. Inlet shall be (3/8, 1/2) inch (IPS, sweat, compression). Outlet shall be (3/8, 1/2) inch (IPS, compression). Supply kit shall be McGuire \_\_\_\_\_. Supply kit shall be certified by recognized authority and bear manufacturer and testing mark.



### WARNING:

This product can expose you to chemicals including lead, which is known to the State of California to cause cancer, and birth defects or other reproductive harm. For more information go to [www.P65Warnings.ca.gov](http://www.P65Warnings.ca.gov).





**McGuire Manufacturing Co., Inc.**

60 Grandview Court  
 Cheshire, Connecticut 06410  
 (203) 699-1801 Fax (203) 699-1813  
 customerservice@mcguiremfg.com mcguiremfg.com

**PRODUCT SPECIFICATION**

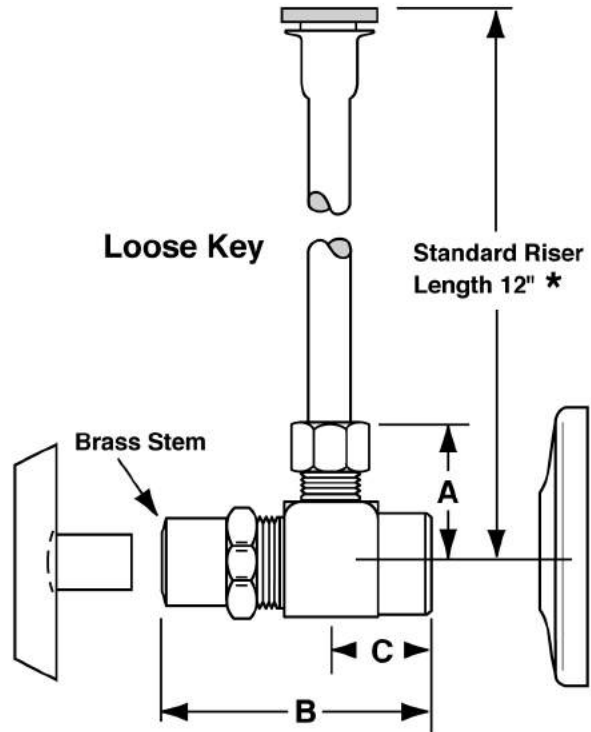
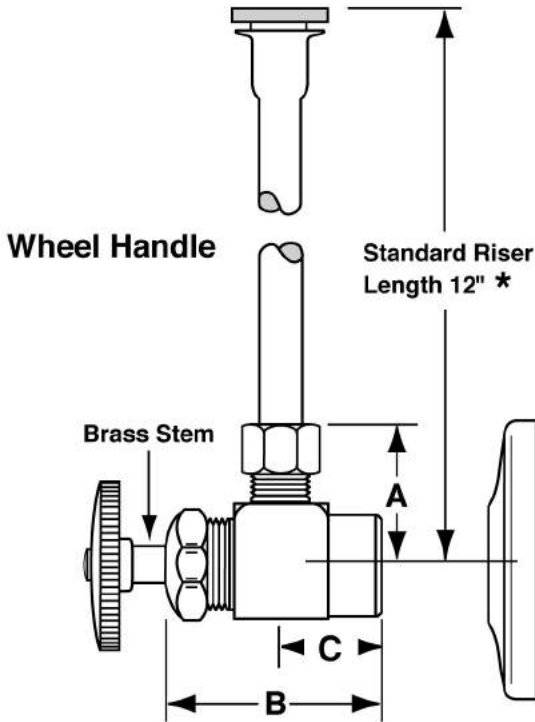
**Part No.**

**LFH166LK**

**Heavy Closet Supply**  
**3/8" I.P.S. x O.D.**

**Job Name:**

**Submittal Number:**



NO.	DESCRIPTION	ROUGHING MEASUREMENTS		
		A	B	C
LFH166LK	3/8" I.P.S. x 3/8" O.D.	1-3/8"	2-7/16"	1"



**LK** designates Loose Key

\* See options and accessories section for details on product variations.

**Specifications:**

Supply kit shall include lead free chrome plated heavy pattern brass supply stop valves with full turn brass stem, no plastic, (12, 15, 20) inch chrome plated risers and (shallow, deep, bell) (steel, brass) or (forged brass with set screw) flange. Inlet shall be (3/8, 1/2) inch (IPS, sweat, compression). Outlet shall be (3/8, 1/2) inch (IPS, compression). Supply kit shall be McGuire \_\_\_\_\_. Supply kit shall be certified by recognized authority and bear manufacturer and testing mark.



**WARNING:**

This product can expose you to chemicals including lead, which is known to the State of California to cause cancer, and birth defects or other reproductive harm. For more information go to [www.P65Warnings.ca.gov](http://www.P65Warnings.ca.gov).



# McGuire Manufacturing Co., Inc.

60 Grandview Court  
 Cheshire, Connecticut 06410  
 (203) 699-1801 Fax (203) 699-1813  
 customerservice@mcguiremfg.com mcguiremfg.com

## PRODUCT SPECIFICATION

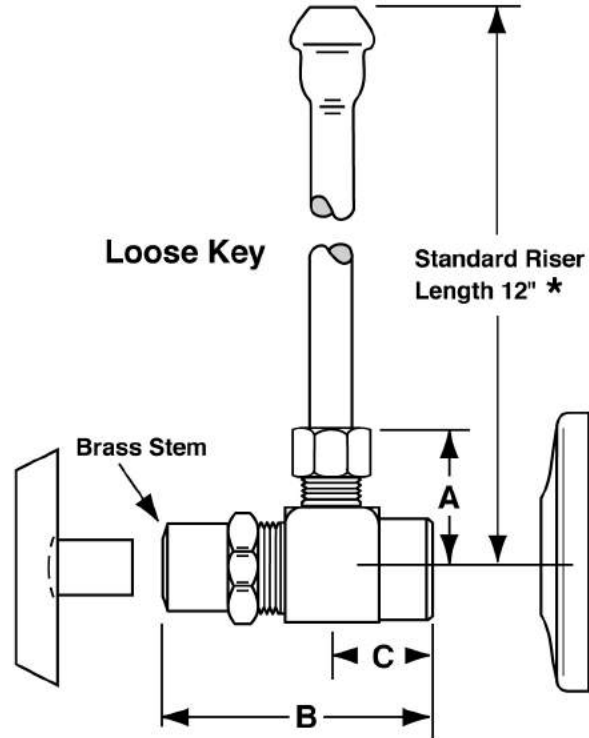
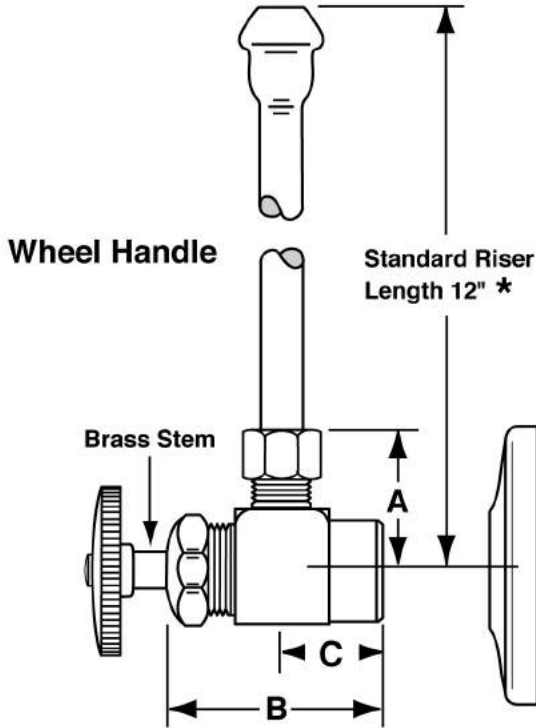
Part No.

**LFH167**

**Heavy Lavatory Supply**  
**3/8" I.P.S. x O.D.**

**Job Name:**

**Submittal Number:**



NO.	DESCRIPTION	ROUGHING MEASUREMENTS		
		A	B	C
<b>LFH167</b>	3/8" I.P.S. x 1/2" O.D.	1-3/8"	1-15/16"	1"



**LK** designates Loose Key

\* See options and accessories section for details on product variations.

## Specifications:

Supply kit shall include lead free heavy pattern chrome plated supply stop valves with full turn brass stem, no plastic, (12, 15, 20) inch chrome plated risers and (shallow, deep, bell) (steel, brass) or (forged brass with set screw) flange. Inlet shall be 3/8 inch IPS. Outlet shall be 3/8 inch compression. Supply kit shall be McGuire \_\_\_\_\_ . Supply shall be certified by recognized authority and bear manufacturer and testing mark.



**WARNING:**

This product can expose you to chemicals including lead, which is known to the State of California to cause cancer, and birth defects or other reproductive harm. For more information go to [www.P65Warnings.ca.gov](http://www.P65Warnings.ca.gov).



# McGuire Manufacturing Co., Inc.

60 Grandview Court  
 Cheshire, Connecticut 06410  
 (203) 699-1801 Fax (203) 699-1813  
 customerservice@mcguiremfg.com mcguiremfg.com

## PRODUCT SPECIFICATION

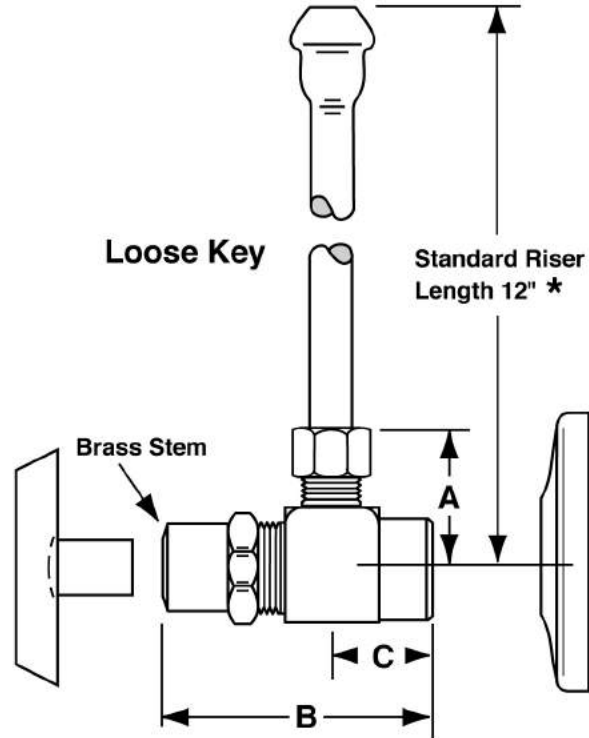
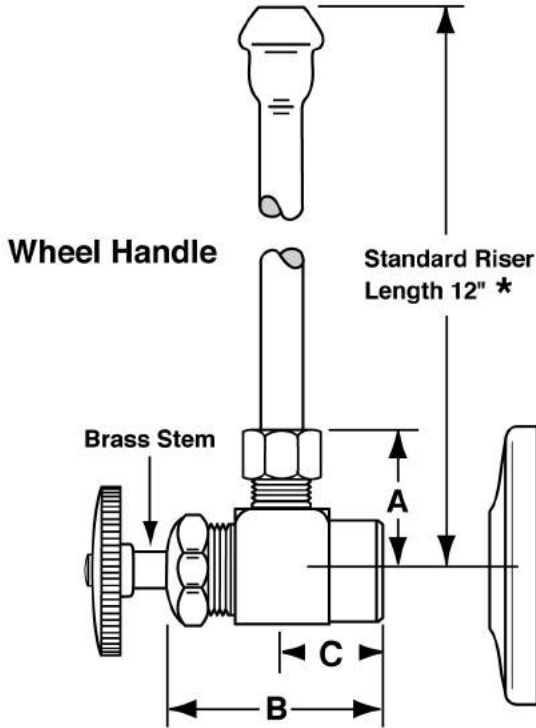
Part No.

**LFH167LK**

**Heavy Lavatory Supply**  
**3/8" I.P.S. x O.D.**

**Job Name:**

**Submittal Number:**



NO.	DESCRIPTION	ROUGHING MEASUREMENTS		
		A	B	C
LFH167LK	3/8" I.P.S. x 1/2" O.D.	1-3/8"	2-7/16"	1"



**LK** designates Loose Key

\* See options and accessories section for details on product variations.

## Specifications:

Supply kit shall include lead free heavy pattern chrome plated supply stop valves with full turn brass stem, no plastic, (12, 15, 20) inch chrome plated risers and (shallow, deep, bell) (steel, brass) or (forged brass with set screw) flange. Inlet shall be 3/8 inch IPS. Outlet shall be 3/8 inch compression. Supply kit shall be McGuire \_\_\_\_\_ . Supply shall be certified by recognized authority and bear manufacturer and testing mark.



**WARNING:**

This product can expose you to chemicals including lead, which is known to the State of California to cause cancer, and birth defects or other reproductive harm. For more information go to [www.P65Warnings.ca.gov](http://www.P65Warnings.ca.gov).



**McGuire Manufacturing Co., Inc.**

60 Grandview Court  
 Cheshire, Connecticut 06410  
 (203) 699-1801 Fax (203) 699-1813  
 customerservice@mcguiremfg.com mcguiremfg.com

**PRODUCT SPECIFICATION**

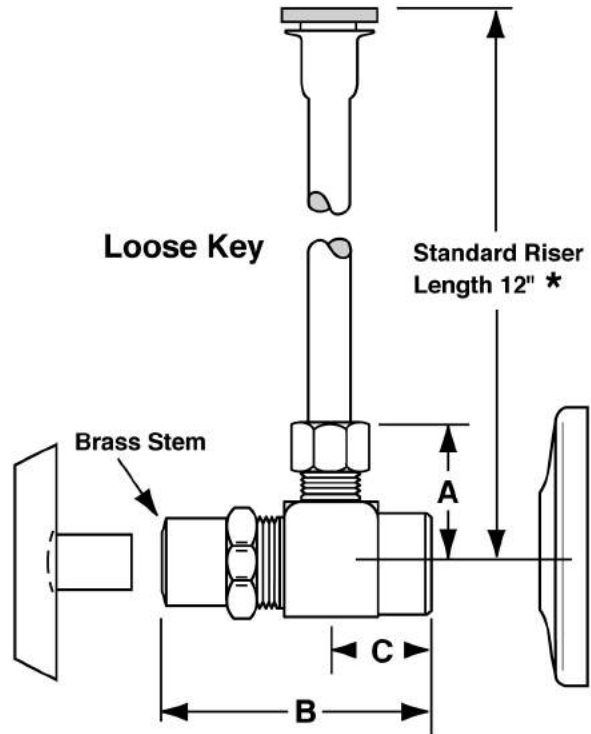
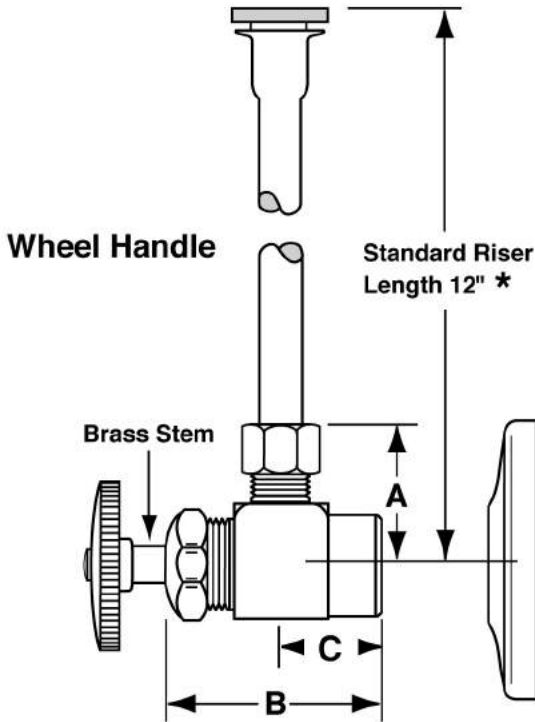
**Part No.**

**LFH169**

**Heavy Closet Supply**  
**3/8" I.P.S. x O.D.**

**Job Name:**

**Submittal Number:**



NO.	DESCRIPTION	ROUGHING MEASUREMENTS		
		A	B	C
<b>LFH169</b>	3/8" I.P.S. x 3/8" O.D.	1-3/8"	1-15/16"	1"



**LK** designates Loose Key

\* See options and accessories section for details on product variations.

**Specifications:**

Supply kit shall include lead free chrome plated heavy pattern brass supply stop valves with full turn brass stem, no plastic, (12, 15, 20) inch chrome plated risers and (shallow, deep, bell) (steel, brass) or (forged brass with set screw) flange. Inlet shall be (3/8, 1/2) inch (IPS, sweat, compression). Outlet shall be (3/8, 1/2) inch (IPS, compression). Supply kit shall be McGuire \_\_\_\_\_. Supply kit shall be certified by recognized authority and bear manufacturer and testing mark.



**WARNING:**

This product can expose you to chemicals including lead, which is known to the State of California to cause cancer, and birth defects or other reproductive harm. For more information go to [www.P65Warnings.ca.gov](http://www.P65Warnings.ca.gov).





**McGuire Manufacturing Co., Inc.**

60 Grandview Court  
 Cheshire, Connecticut 06410  
 (203) 699-1801 Fax (203) 699-1813  
 customerservice@mcguiremfg.com mcguiremfg.com

**PRODUCT SPECIFICATION**

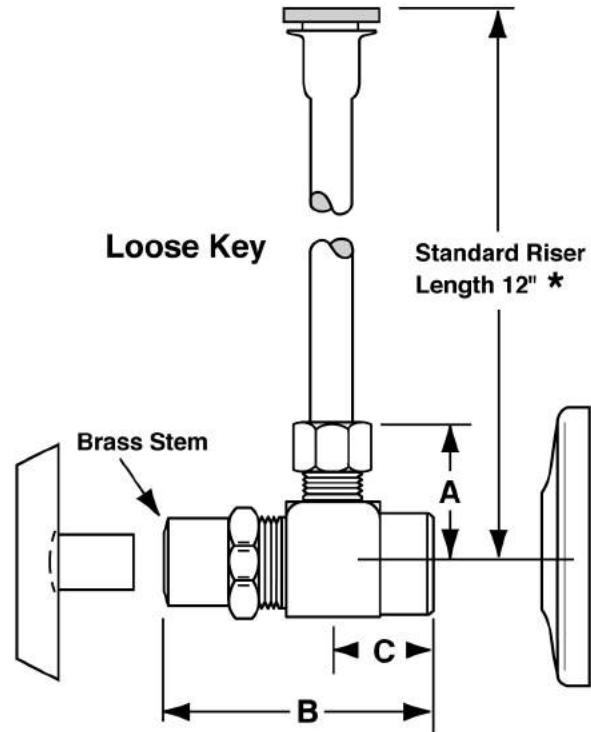
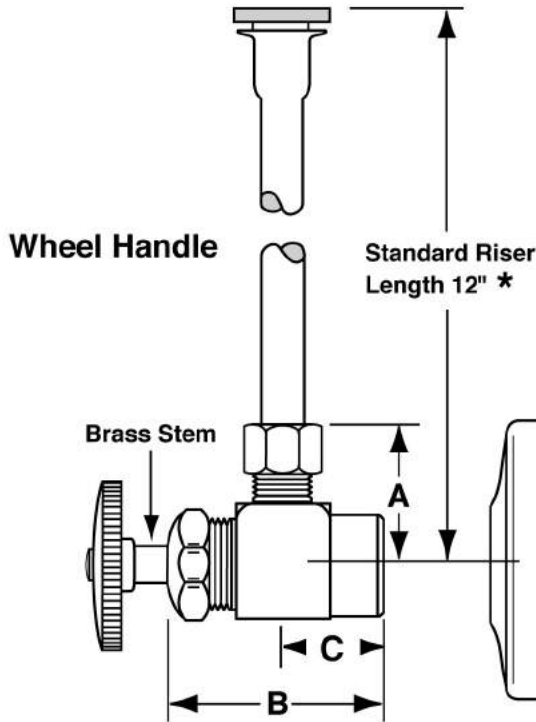
**Part No.**

**LFH169LK**

**Heavy Closet Supply**  
**3/8" I.P.S. x O.D.**

**Job Name:**

**Submittal Number:**



NO.	DESCRIPTION	ROUGHING MEASUREMENTS		
		A	B	C
LFH169LK	3/8" I.P.S. x 1/2" O.D.	1-3/8"	2-7/16"	1"



**LK** designates Loose Key

\* See options and accessories section for details on product variations.

**Specifications:**

Supply kit shall include lead free chrome plated heavy pattern brass supply stop valves with full turn brass stem, no plastic, (12, 15, 20) inch chrome plated risers and (shallow, deep, bell) (steel, brass) or (forged brass with set screw) flange. Inlet shall be (3/8, 1/2) inch (IPS, sweat, compression). Outlet shall be (3/8, 1/2) inch (IPS, compression). Supply kit shall be McGuire \_\_\_\_\_. Supply kit shall be certified by recognized authority and bear manufacturer and testing mark.



**WARNING:**

This product can expose you to chemicals including lead, which is known to the State of California to cause cancer, and birth defects or other reproductive harm. For more information go to [www.P65Warnings.ca.gov](http://www.P65Warnings.ca.gov).



**McGuire Manufacturing Co., Inc.**

60 Grandview Court  
 Cheshire, Connecticut 06410  
 (203) 699-1801 Fax (203) 699-1813  
 customerservice@mcguiremfg.com mcguiremfg.com

**PRODUCT SPECIFICATION**

**Part No.**

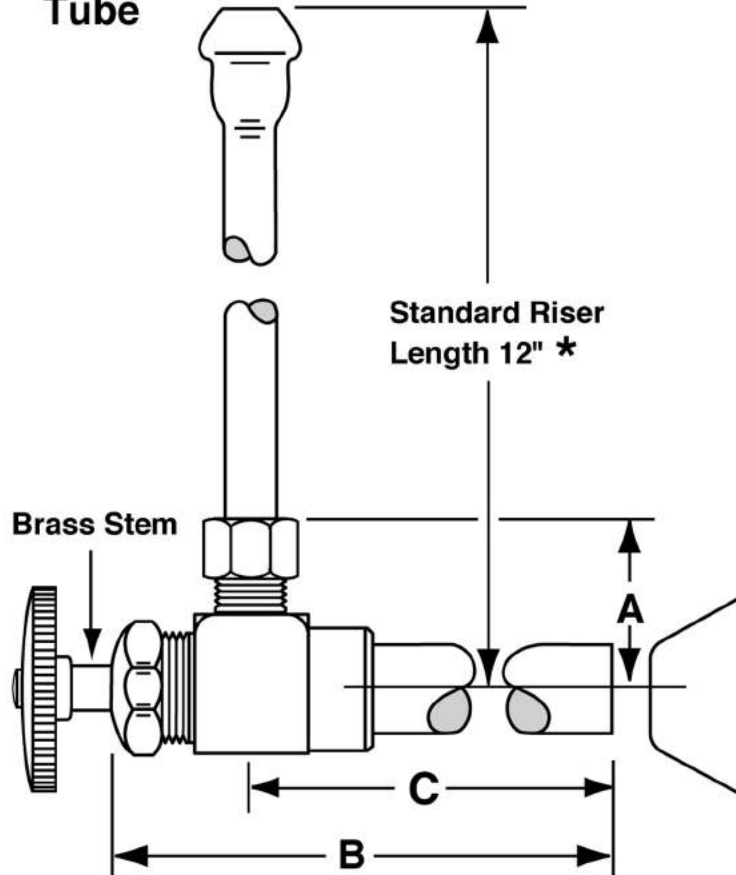
**LFH170**

**Heavy Sweat Lavatory  
 Supply w/5" Extension**

**Job Name:**

**Submittal Number:**

**Wheel Handle  
 w/ 5" Extension  
 Tube**



NO.	DESCRIPTION	ROUGHING MEASUREMENTS		
		A	B	C
LFH170	1/2" Sweat x 3/8" O.D.	1"	6-1/4"	5-1/2"

LFH170LK

LK designates *Loose Key*

\* See options and accessories section for details on product variations.



**Specifications:**

Supply kit shall include lead free chrome plated heavy pattern brass supply stop valves with full turn brass stem, no plastic, (12, 15, 20) inch chrome plated risers and (shallow, deep, bell) (steel, brass) or (forged brass with set screw) flange. Inlet shall be 1/2 inch (IPS, sweat, compression). Outlet shall be 3/8 inch (IPS, compression). Supply kit shall be McGuire \_\_\_\_\_. Supply shall be certified by recognized authority and bear manufacturer and testing mark.



**WARNING:**

This product can expose you to chemicals including lead, which is known to the State of California to cause cancer, and birth defects or other reproductive harm. For more information go to [www.P65Warnings.ca.gov](http://www.P65Warnings.ca.gov).



**McGuire Manufacturing Co., Inc.**

60 Grandview Court  
 Cheshire, Connecticut 06410  
 (203) 699-1801 Fax (203) 699-1813  
 customerservice@mcguiremfg.com mcguiremfg.com

**PRODUCT SPECIFICATION**

**Part No.**

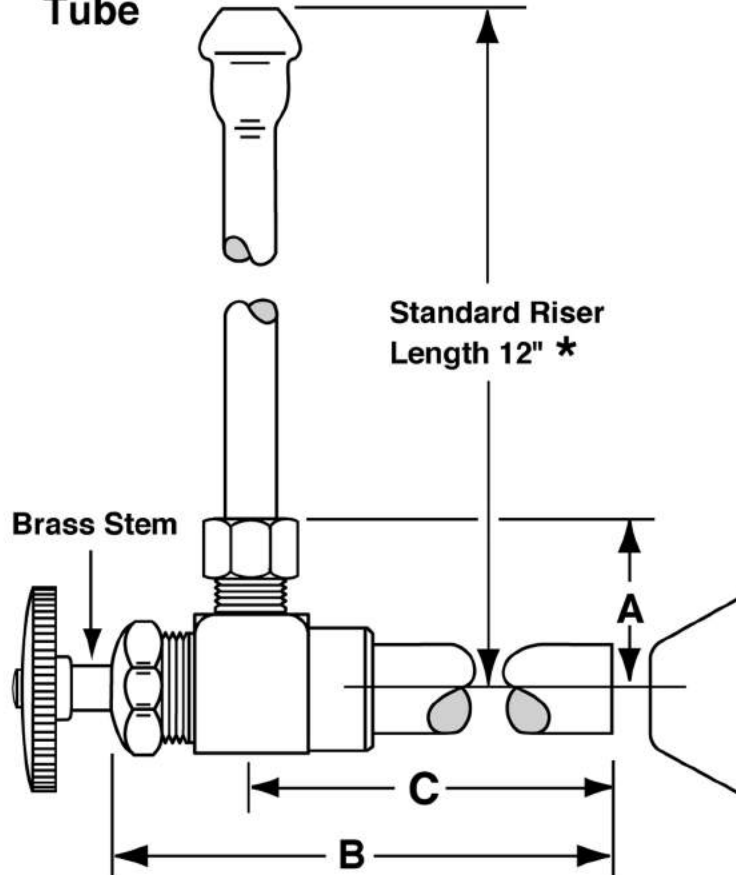
**LFH170LK**

**Heavy Sweat Lavatory  
 Supply w/5" Extension**

**Job Name:**

**Submittal Number:**

**Wheel Handle  
 w/ 5" Extension  
 Tube**



NO.	DESCRIPTION	ROUGHING MEASUREMENTS		
		A	B	C
LFH170LK	1/2" Sweat x 3/8" O.D.	1"	7"	5-1/2"

LK designates *Loose Key*

\* See options and accessories section for details on product variations.



**Specifications:**

Supply kit shall include lead free chrome plated heavy pattern brass supply stop valves with full turn brass stem, no plastic, (12, 15, 20) inch chrome plated risers and (shallow, deep, bell) (steel, brass) or (forged brass with set screw) flange. Inlet shall be 1/2 inch (IPS, sweat, compression). Outlet shall be 3/8 inch (IPS, compression). Supply kit shall be McGuire \_\_\_\_\_. Supply shall be certified by recognized authority and bear manufacturer and testing mark.



**WARNING:**

This product can expose you to chemicals including lead, which is known to the State of California to cause cancer, and birth defects or other reproductive harm. For more information go to [www.P65Warnings.ca.gov](http://www.P65Warnings.ca.gov).



**McGuire Manufacturing Co., Inc.**

60 Grandview Court  
 Cheshire, Connecticut 06410  
 (203) 699-1801 Fax (203) 699-1813  
 customerservice@mcguiremfg.com mcguiremfg.com

**PRODUCT SPECIFICATION**

**Part No.**

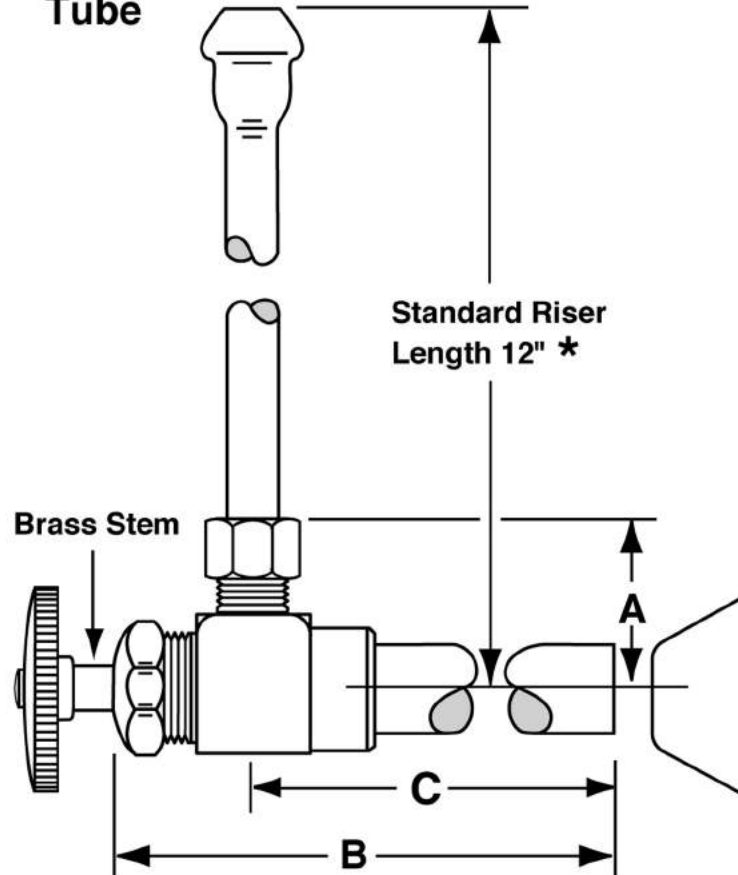
**LFH171**

**Heavy Sweat Lavatory  
 Supply w/5" Extension**

**Job Name:**

**Submittal Number:**

**Wheel Handle  
 w/ 5" Extension  
 Tube**



NO.	DESCRIPTION	ROUGHING MEASUREMENTS		
		A	B	C
LFH171	1/2" Sweat x 1/2" O.D.	1"	6-1/4"	5-1/2"

LK designates *Loose Key*

\* See options and accessories section for details on product variations.



**Specifications:**

Supply kit shall include lead free chrome plated heavy pattern brass supply stop valves with full turn brass stem, no plastic, (12, 15, 20) inch chrome plated risers and (shallow, deep, bell) (steel, brass) or (forged brass with set screw) flange. Inlet shall be 1/2 inch (IPS, sweat, compression). Outlet shall be 3/8 inch (IPS, compression). Supply kit shall be McGuire \_\_\_\_\_. Supply shall be certified by recognized authority and bear manufacturer and testing mark.



**WARNING:**

This product can expose you to chemicals including lead, which is known to the State of California to cause cancer, and birth defects or other reproductive harm. For more information go to [www.P65Warnings.ca.gov](http://www.P65Warnings.ca.gov).





**McGuire Manufacturing Co., Inc.**

60 Grandview Court  
 P.O. Box 746 • Cheshire, CT 06410  
 203-699-1801 • Fax: 203-699-1813  
 www.mcguiremfg.com

**PRODUCT SPECIFICATION**

**Part No.**

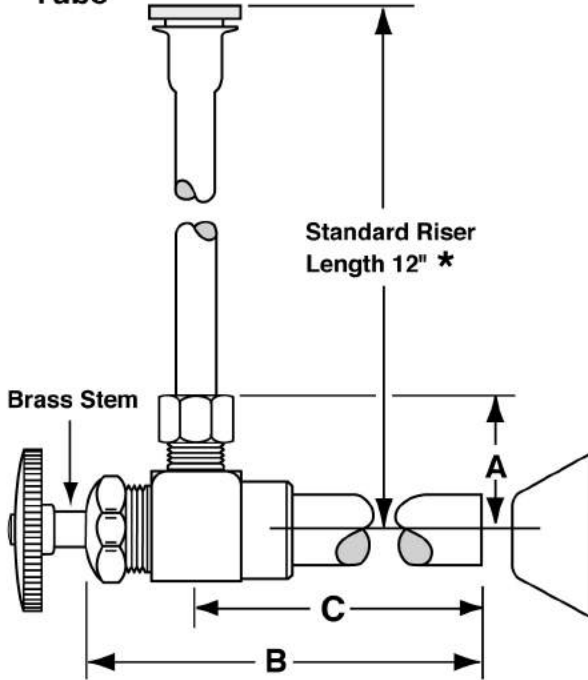
**LFH172**

**Heavy Sweat Closet  
 Supply w/ 5" Extension**

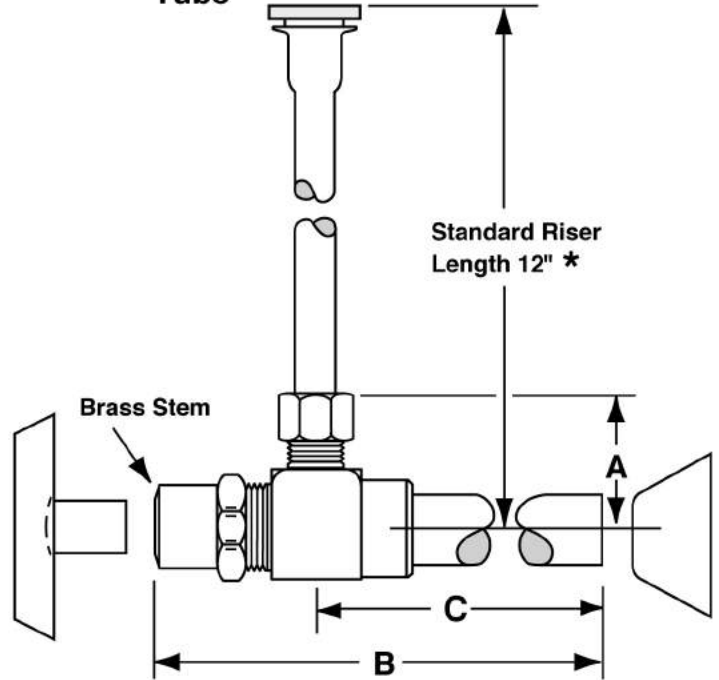
**Job Name:**

**Submittal Number:**

**Wheel Handle  
 w/ 5" Extension  
 Tube**



**Loose Key  
 w/ 5" Extension  
 Tube**



NO.	DESCRIPTION	ROUGHING MEASUREMENTS		
		A	B	C
<b>LFH172</b>	1/2" Sweat x 3/8" O.D.	1-3/8"	6-7/8"	5-3/4"



**LK** designates Loose Key

\* See options and accessories section for details on product variations.

**Specifications:**

Supply kit shall include lead free chrome plated heavy pattern brass stops with full turn brass stem, no plastic (12, 15, 20) inch chrome plated copper risers and (shallow, deep, bell) (steel or brass) or (forged brass with set screw) flange. Inlet shall be (3/8, 1/2) inch (IPS, sweat, compression). Outlet shall be (3/8, 1/2) inch (IPS, compression). Supply kit shall be McGuire \_\_\_\_\_ . Supply kit shall be certified by recognized authority and bear manufacturer and testing mark.



**WARNING:**

This product can expose you to chemicals including lead, which is known to the State of California to cause cancer, and birth defects or other reproductive harm. For more information go to [www.P65Warnings.ca.gov](http://www.P65Warnings.ca.gov).



**McGuire Manufacturing Co., Inc.**

60 Grandview Court  
 P.O. Box 746 • Cheshire, CT 06410  
 203-699-1801 • Fax: 203-699-1813  
 www.mcguiremfg.com

**PRODUCT SPECIFICATION**

**Part No.**

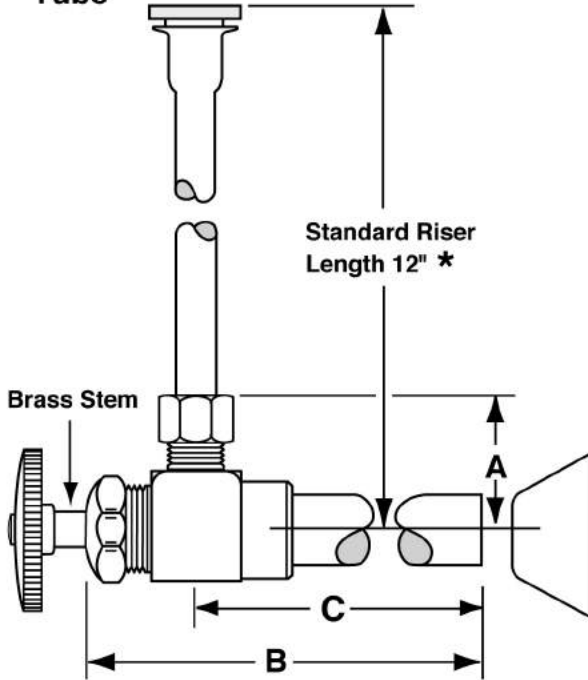
**LFH172LK**

**Heavy Sweat Closet  
 Supply w/ 5" Extension**

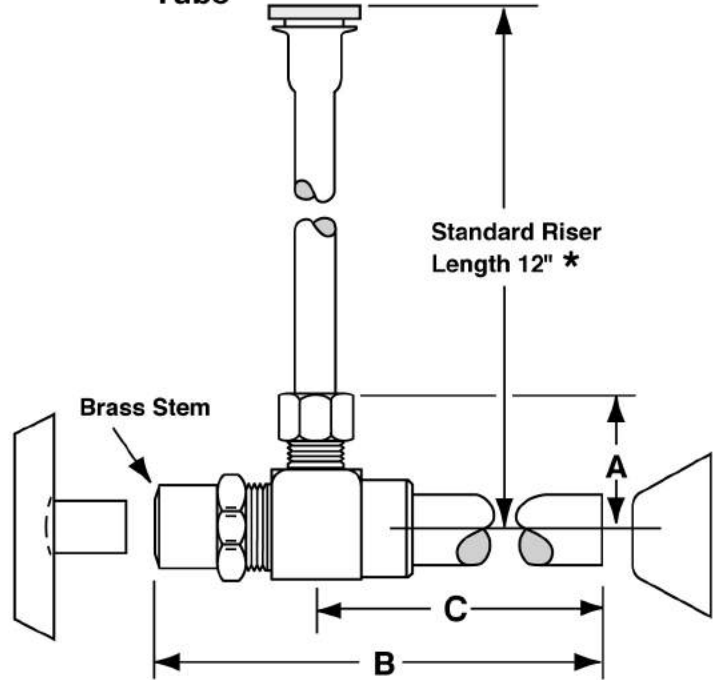
**Job Name:**

**Submittal Number:**

**Wheel Handle  
 w/ 5" Extension  
 Tube**



**Loose Key  
 w/ 5" Extension  
 Tube**



NO.	DESCRIPTION	ROUGHING MEASUREMENTS		
		A	B	C
<b>LFH172LK</b>	1/2" Sweat x 3/8" O.D.	1-3/8"	7-7/16"	5-3/4"



**LK** designates Loose Key

\* See options and accessories section for details on product variations.

**Specifications:**

Supply kit shall include lead free chrome plated heavy pattern brass stops with full turn brass stem, no plastic (12, 15, 20) inch chrome plated copper risers and (shallow, deep, bell) (steel or brass) or (forged brass with set screw) flange. Inlet shall be (3/8, 1/2) inch (IPS, sweat, compression). Outlet shall be (3/8, 1/2) inch (IPS, compression). Supply kit shall be McGuire \_\_\_\_\_ . Supply kit shall be certified by recognized authority and bear manufacturer and testing mark.



**WARNING:**

This product can expose you to chemicals including lead, which is known to the State of California to cause cancer, and birth defects or other reproductive harm. For more information go to [www.P65Warnings.ca.gov](http://www.P65Warnings.ca.gov).



**McGuire Manufacturing Co., Inc.**

60 Grandview Court  
 P.O. Box 746 • Cheshire, CT 06410  
 203-699-1801 • Fax: 203-699-1813  
 www.mcguiremfg.com

**PRODUCT SPECIFICATION**

**Part No.**

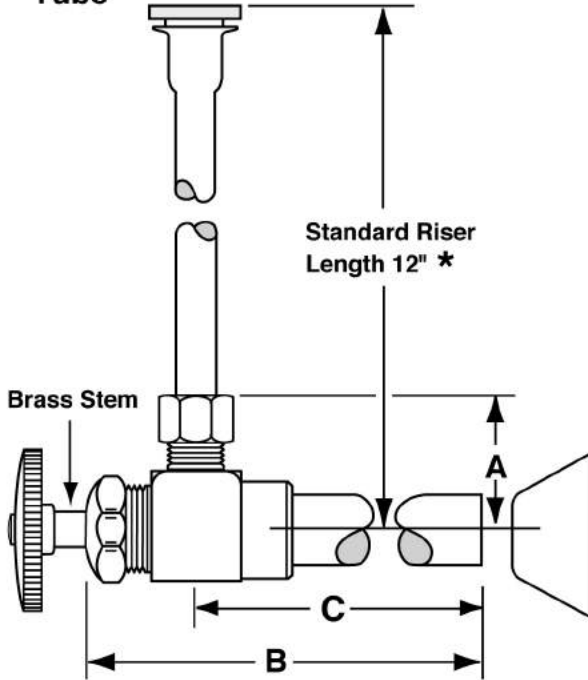
**LFH173**

**Heavy Sweat Closet  
 Supply w/ 5" Extension**

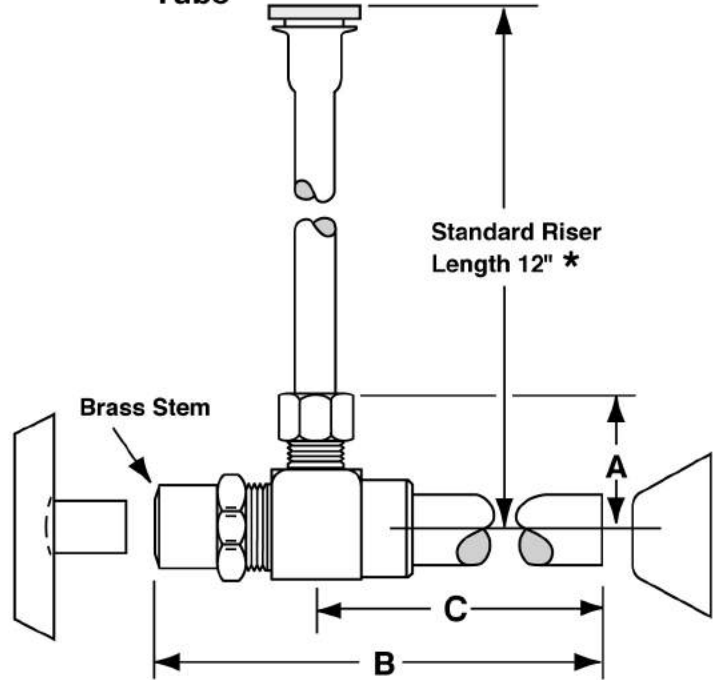
**Job Name:**

**Submittal Number:**

**Wheel Handle  
 w/ 5" Extension  
 Tube**



**Loose Key  
 w/ 5" Extension  
 Tube**



NO.	DESCRIPTION	ROUGHING MEASUREMENTS		
		A	B	C
<b>LFMH173</b>	1/2" Sweat x 1/2" O.D.	1-3/8"	6-7/8"	5-3/4"



**LK** designates Loose Key

\* See options and accessories section for details on product variations.

**Specifications:**

Supply kit shall include lead free chrome plated heavy pattern brass stops with full turn brass stem, no plastic (12, 15, 20) inch chrome plated copper risers and (shallow, deep, bell) (steel or brass) or (forged brass with set screw) flange. Inlet shall be (3/8, 1/2) inch (IPS, sweat, compression). Outlet shall be (3/8, 1/2) inch (IPS, compression). Supply kit shall be McGuire \_\_\_\_\_ . Supply kit shall be certified by recognized authority and bear manufacturer and testing mark.



**WARNING:**

This product can expose you to chemicals including lead, which is known to the State of California to cause cancer, and birth defects or other reproductive harm. For more information go to [www.P65Warnings.ca.gov](http://www.P65Warnings.ca.gov).



**McGuire Manufacturing Co., Inc.**

60 Grandview Court  
 P.O. Box 746 • Cheshire, CT 06410  
 203-699-1801 • Fax: 203-699-1813  
 www.mcguiremfg.com

**PRODUCT SPECIFICATION**

**Part No.**

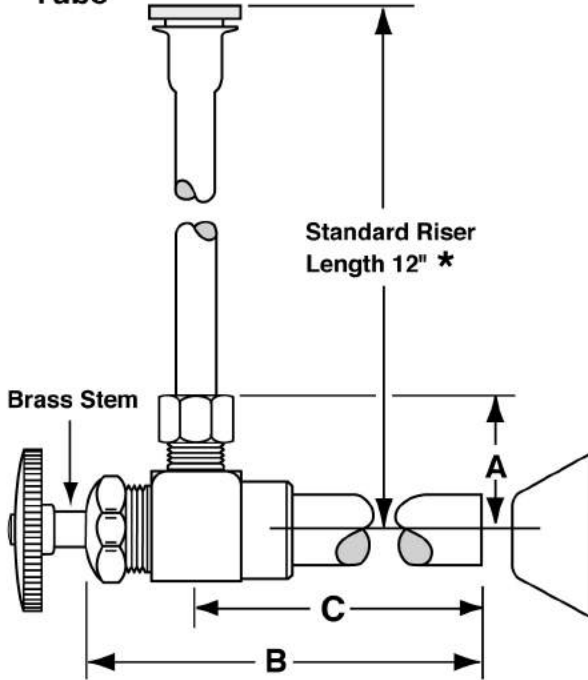
**LFH173LK**

**Heavy Sweat Closet  
 Supply w/ 5" Extension**

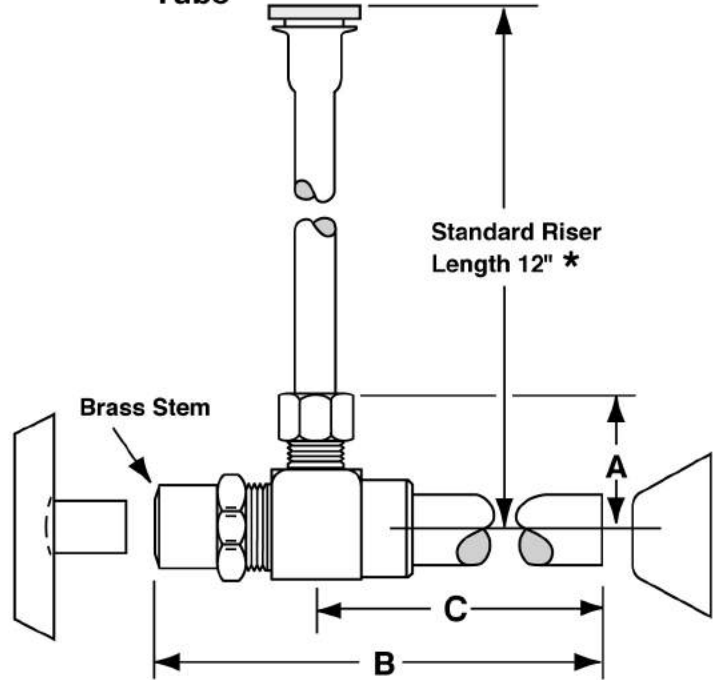
**Job Name:**

**Submittal Number:**

**Wheel Handle  
 w/ 5" Extension  
 Tube**



**Loose Key  
 w/ 5" Extension  
 Tube**



NO.	DESCRIPTION	ROUGHING MEASUREMENTS		
		A	B	C
<b>LFH173LK</b>	1/2" Sweat x 1/2" O.D.	1-3/8"	7-7/16"	5-3/4"



**LK** designates Loose Key

\* See options and accessories section for details on product variations.

**Specifications:**

Supply kit shall include lead free chrome plated heavy pattern brass stops with full turn brass stem, no plastic (12, 15, 20) inch chrome plated copper risers and (shallow, deep, bell) (steel or brass) or (forged brass with set screw) flange. Inlet shall be (3/8, 1/2) inch (IPS, sweat, compression). Outlet shall be (3/8, 1/2) inch (IPS, compression). Supply kit shall be McGuire \_\_\_\_\_ . Supply kit shall be certified by recognized authority and bear manufacturer and testing mark.



**WARNING:**

This product can expose you to chemicals including lead, which is known to the State of California to cause cancer, and birth defects or other reproductive harm. For more information go to [www.P65Warnings.ca.gov](http://www.P65Warnings.ca.gov).



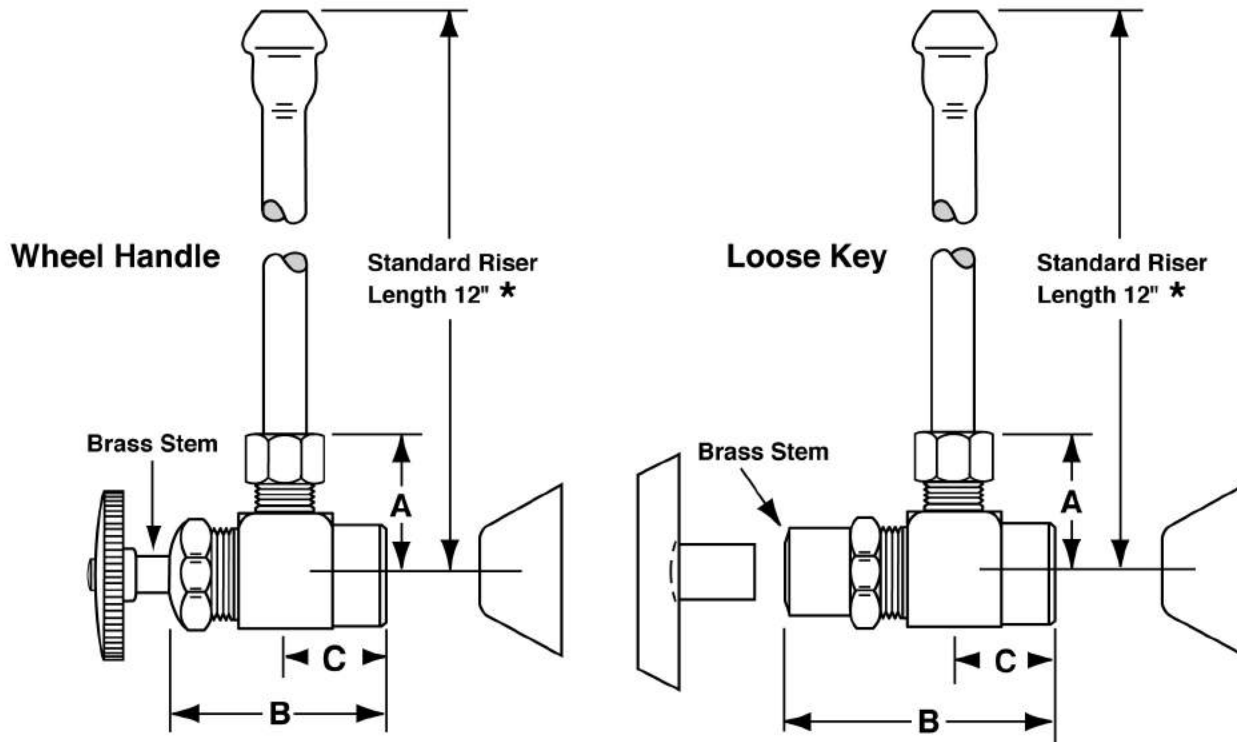


**McGuire Manufacturing Co., Inc.**  
 60 Grandview Court  
 Cheshire, Connecticut 06410  
 (203) 699-1801 Fax (203) 699-1813  
 customerservice@mcguiremfg.com mcguiremfg.com  
**PRODUCT SPECIFICATION**

**Part No.**  
**LFH175**  
**Sweat Lavatory Supply**

**Job Name:**

**Submittal Number:**



NO.	DESCRIPTION	ROUGHING MEASUREMENTS		
		A	B	C
LFH175	1/2" Sweat x 3/8" O.D.	1-3/8"	2"	1"

LK designates *Loose Key*

\* See options and accessories section for details on product variations.



**Specifications:**

Supply kit shall include lead free chrome plated heavy pattern supply stop valves with full turn brass stem, no plastic, (12, 15, 20) inch chrome plated risers and (shallow, deep, bell) (steel, brass) or (forged brass with set screw) flange. Inlet shall be 1/2 inch sweat. Outlet shall be 3/8 inch compression. Supply kit shall be McGuire \_\_\_\_\_ . Supply shall be certified by recognized authority and bear manufacturer and testing mark.

**! WARNING:**  
 This product can expose you to chemicals including lead, which is known to the State of California to cause cancer, and birth defects or other reproductive harm. For more information go to [www.P65Warnings.ca.gov](http://www.P65Warnings.ca.gov).



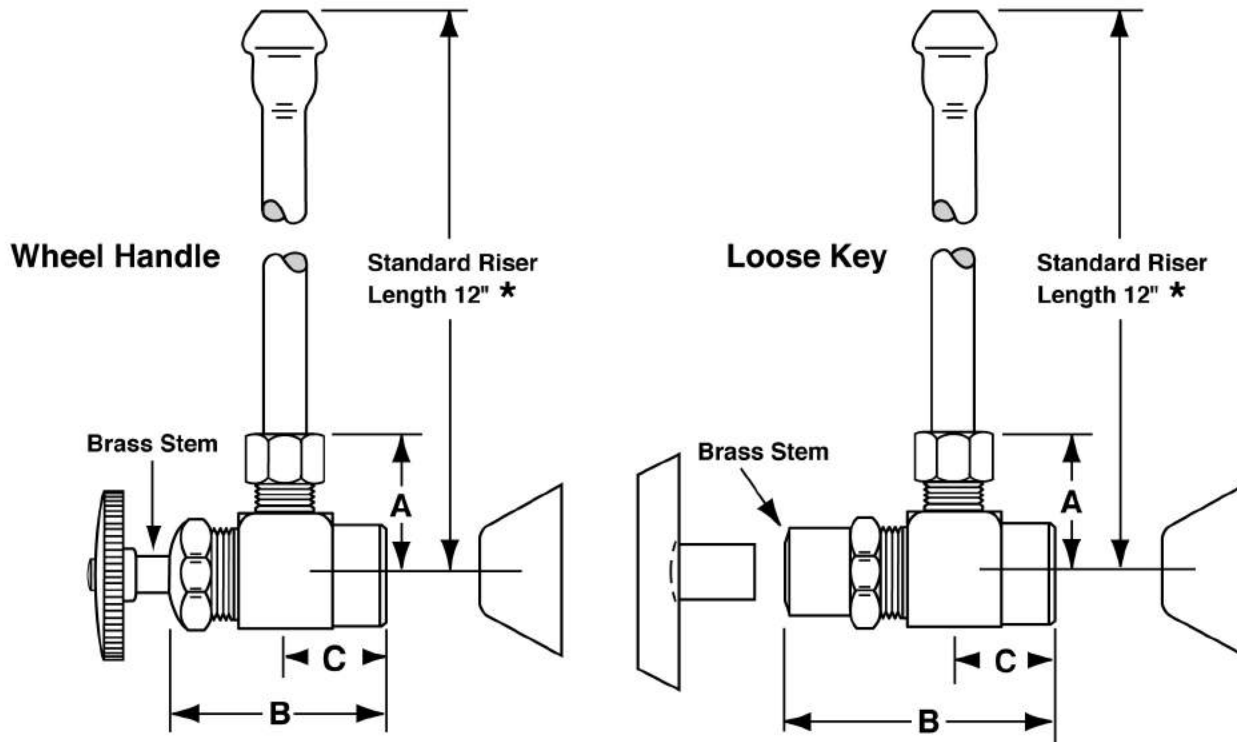


**McGuire Manufacturing Co., Inc.**  
 60 Grandview Court  
 Cheshire, Connecticut 06410  
 (203) 699-1801 Fax (203) 699-1813  
 customerservice@mcguiremfg.com mcguiremfg.com  
**PRODUCT SPECIFICATION**

**Part No.**  
**LFH175LK**  
**Sweat Lavatory Supply**

**Job Name:**

**Submittal Number:**



NO.	DESCRIPTION	ROUGHING MEASUREMENTS		
		A	B	C
LFH175LK	1/2" Sweat x 3/8" O.D.	1-3/8"	2-7/16"	1"

LK designates *Loose Key*

\* See options and accessories section for details on product variations.



**Specifications:**

Supply kit shall include lead free chrome plated heavy pattern supply stop valves with full turn brass stem, no plastic, (12, 15, 20) inch chrome plated risers and (shallow, deep, bell) (steel, brass) or (forged brass with set screw) flange. Inlet shall be 1/2 inch sweat. Outlet shall be 3/8 inch compression. Supply kit shall be McGuire \_\_\_\_\_ . Supply shall be certified by recognized authority and bear manufacturer and testing mark.

**WARNING:**

This product can expose you to chemicals including lead, which is known to the State of California to cause cancer, and birth defects or other reproductive harm. For more information go to [www.P65Warnings.ca.gov](http://www.P65Warnings.ca.gov).



**McGuire Manufacturing Co., Inc.**

60 Grandview Court  
P.O. Box 746 • Cheshire, CT 06410  
203-699-1801 • Fax: 203-699-1813  
www.mcguiremfg.com

**PRODUCT SPECIFICATION**

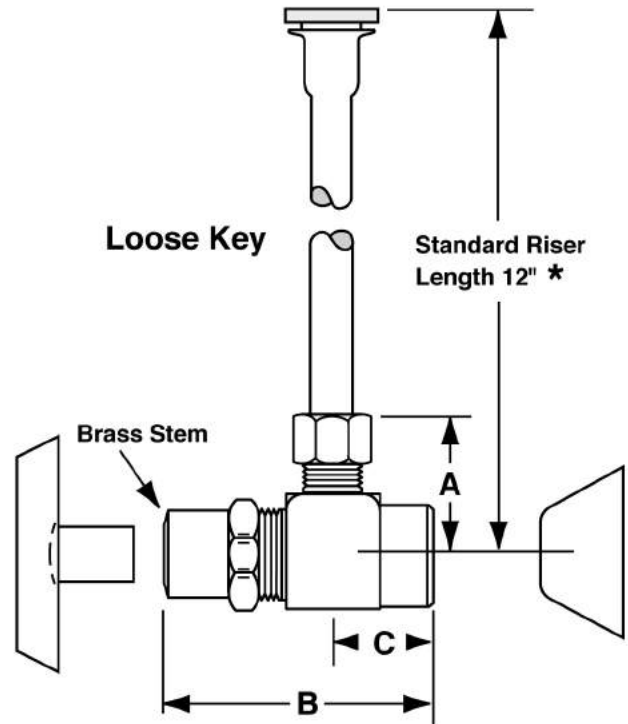
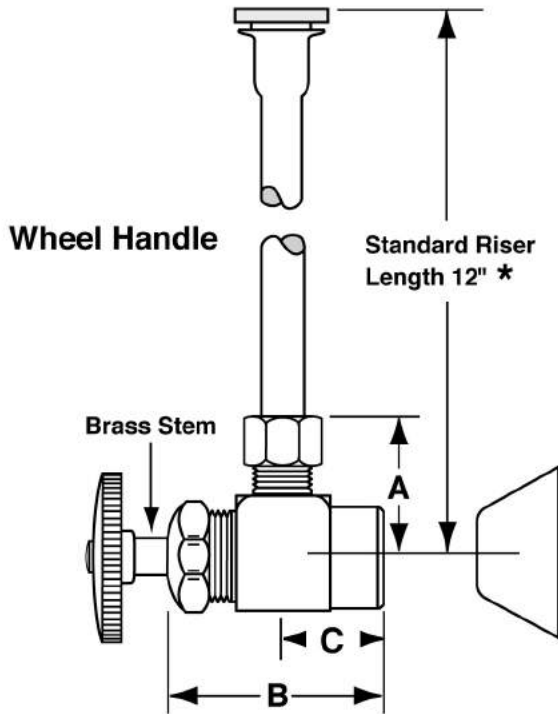
**Part No.**

**LFVH185**

**Heavy Sweat  
Closet Supply**

**Job Name:**

**Submittal Number:**



NO.	DESCRIPTION	ROUGHING MEASUREMENTS		
		A	B	C
<b>LFH185</b>	1/2" Sweat x 3/8" O.D.	1-3/8"	2"	1"

**LFH185LK**



**LK** designates Loose Key

\* See options and accessories section for details on product variations.

**Specifications:**

Supply kit shall include lead free chrome plated heavy pattern brass supply stop valves with full turn brass stem, no plastic, (12, 15, 20) inch chrome plated risers and (shallow, deep, bell) (steel, brass) or (forged brass with set screw) flange. Inlet shall be (3/8, 1/2) inch (IPS, sweat, compression). Outlet shall be (3/8, 1/2) inch (IPS, compression). Supply kit shall be McGuire \_\_\_\_\_ . Supply kit shall be certified by recognized authority and bear manufacturer and testing mark.



**WARNING:**

This product can expose you to chemicals including lead, which is known to the State of California to cause cancer, and birth defects or other reproductive harm. For more information go to [www.P65Warnings.ca.gov](http://www.P65Warnings.ca.gov).



**McGuire Manufacturing Co., Inc.**

60 Grandview Court  
 P.O. Box 746 • Cheshire, CT 06410  
 203-699-1801 • Fax: 203-699-1813  
 www.mcguiremfg.com

**PRODUCT SPECIFICATION**

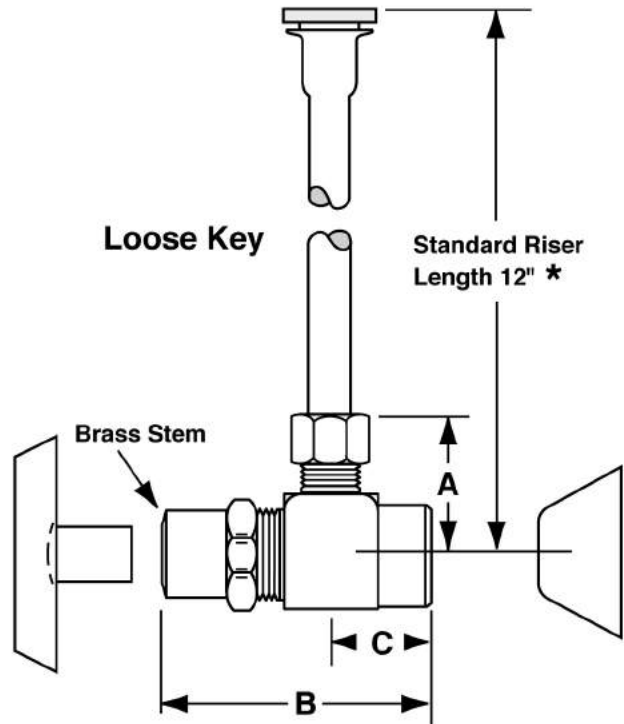
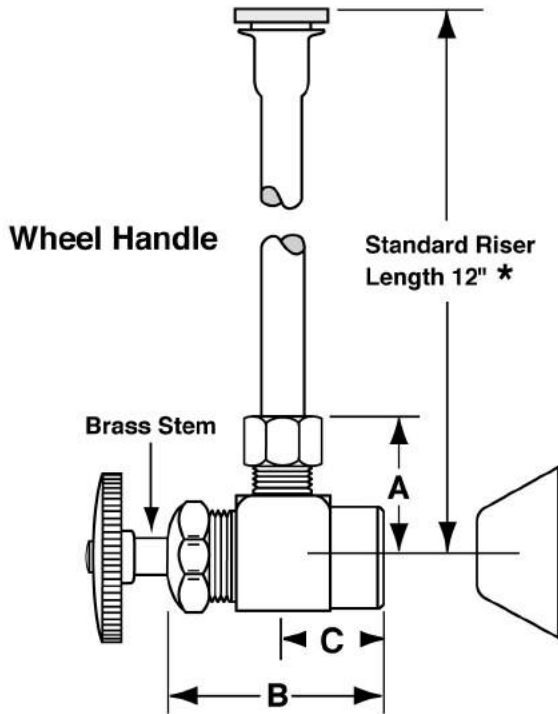
**Part No.**

**LFH185LK**

**Heavy Sweat  
 Closet Supply**

**Job Name:** \_\_\_\_\_

**Submittal Number:** \_\_\_\_\_



NO.	DESCRIPTION	ROUGHING MEASUREMENTS		
		A	B	C
<b>LFH185LK</b>	1/2" Sweat x 3/8" O.D.	1-3/8"	2-7/16"	1"



**LK** designates Loose Key

\* See options and accessories section for details on product variations.

**Specifications:**

Supply kit shall include lead free chrome plated heavy pattern brass supply stop valves with full turn brass stem, no plastic, (12, 15, 20) inch chrome plated risers and (shallow, deep, bell) (steel, brass) or (forged brass with set screw) flange. Inlet shall be (3/8, 1/2) inch (IPS, sweat, compression). Outlet shall be (3/8, 1/2) inch (IPS, compression). Supply kit shall be McGuire \_\_\_\_\_ . Supply kit shall be certified by recognized authority and bear manufacturer and testing mark.



**WARNING:**

This product can expose you to chemicals including lead, which is known to the State of California to cause cancer, and birth defects or other reproductive harm. For more information go to [www.P65Warnings.ca.gov](http://www.P65Warnings.ca.gov).



# McGuire Manufacturing Co., Inc.

60 Grandview Court  
Cheshire, Connecticut 06410  
(203) 699-1801 Fax (203) 699-1813  
customerservice@mcguiremfg.com mcguiremfg.com

## PRODUCT SPECIFICATION

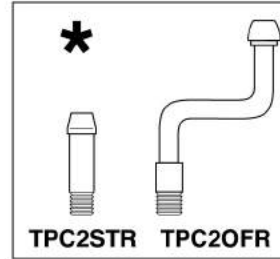
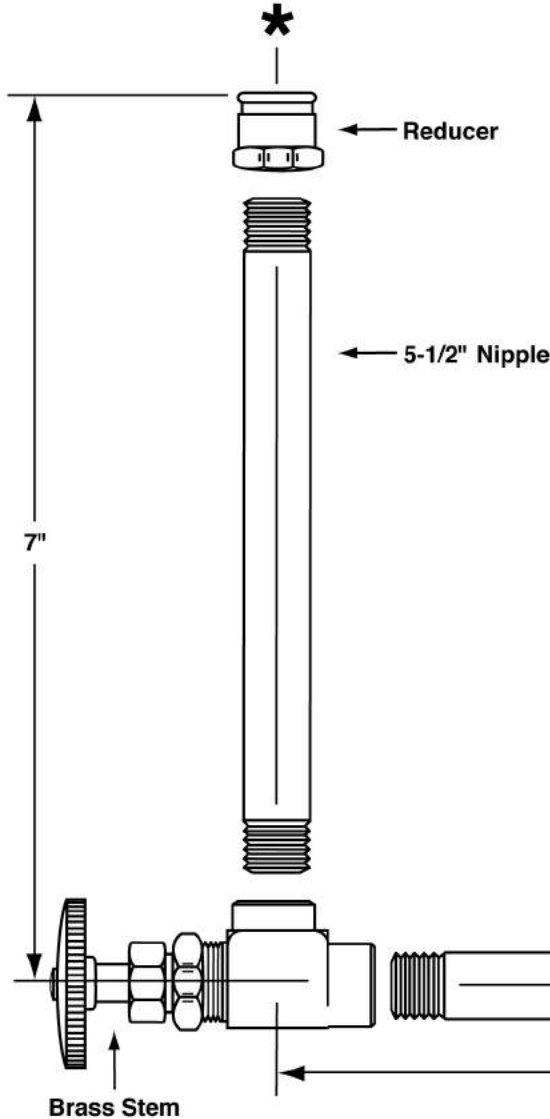
Part No.

# LFH2158

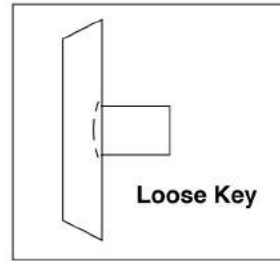
### Heavy Rigid Lavatory Supply 1/2" I.P.S.

Job Name:

Submittal Number:



McGuire tailpiece should be ordered separate for connection from reducer to faucet shank.  
(See specification sheet for TPC2STR, TPC2OFR)



LK designates Loose Key

See options and accessories section for details on product variations.



## Specifications:

Heavy rigid supply kit shall include lead free chrome plated brass stops with threaded connections, stuffing box, full turn brass stem, no plastic, cast brass nipples, cast brass reducer and (steel, brass) or (forged brass with set screw) flange. Inlet shall be (3/8, 1/2) inch IPS. Outlet shall be 3/8 inch IPS. Supply kit shall be McGuire \_\_\_\_\_. Supply kit shall be certified by recognized testing authority and shall bear manufacturer and testing mark.



### WARNING:

This product can expose you to chemicals including lead, which is known to the State of California to cause cancer, and birth defects or other reproductive harm. For more information go to [www.P65Warnings.ca.gov](http://www.P65Warnings.ca.gov).





# McGuire Manufacturing Co., Inc.

60 Grandview Court  
Cheshire, Connecticut 06410  
(203) 699-1801 Fax (203) 699-1813  
customerservice@mcguiremfg.com mcguiremfg.com

## PRODUCT SPECIFICATION

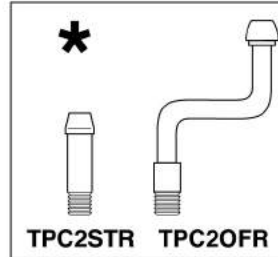
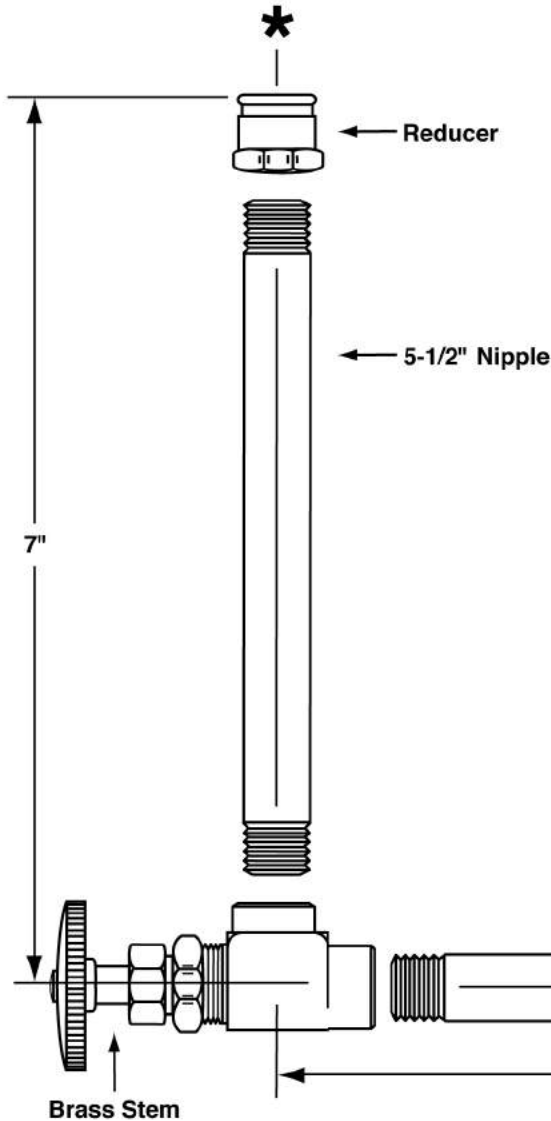
Part No.

# LFH2158LK

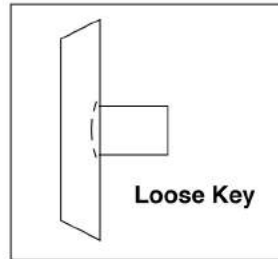
## Heavy Rigid Lavatory Supply 1/2" I.P.S.

Job Name:

Submittal Number:



McGuire tailpiece should be ordered separate for connection from reducer to faucet shank.  
(See specification sheet for TPC2STR, TPC2OFR)



Flange



**LK** designates Loose Key

See options and accessories section for details on product variations.

## Specifications:

Heavy rigid supply kit shall include lead free chrome plated brass stops with threaded connections, stuffing box, full turn brass stem, no plastic, cast brass nipples, cast brass reducer and (steel, brass) or (forged brass with set screw) flange. Inlet shall be (3/8, 1/2) inch IPS. Outlet shall be 3/8 inch IPS. Supply kit shall be McGuire \_\_\_\_\_. Supply kit shall be certified by recognized testing authority and shall bear manufacturer and testing mark.



### WARNING:

This product can expose you to chemicals including lead, which is known to the State of California to cause cancer, and birth defects or other reproductive harm. For more information go to [www.P65Warnings.ca.gov](http://www.P65Warnings.ca.gov).



# McGuire Manufacturing Co., Inc.

60 Grandview Court  
 Cheshire, Connecticut 06410  
 (203) 699-1801 Fax (203) 699-1813  
 customerservice@mcguiremfg.com mcguiremfg.com

## PRODUCT SPECIFICATION

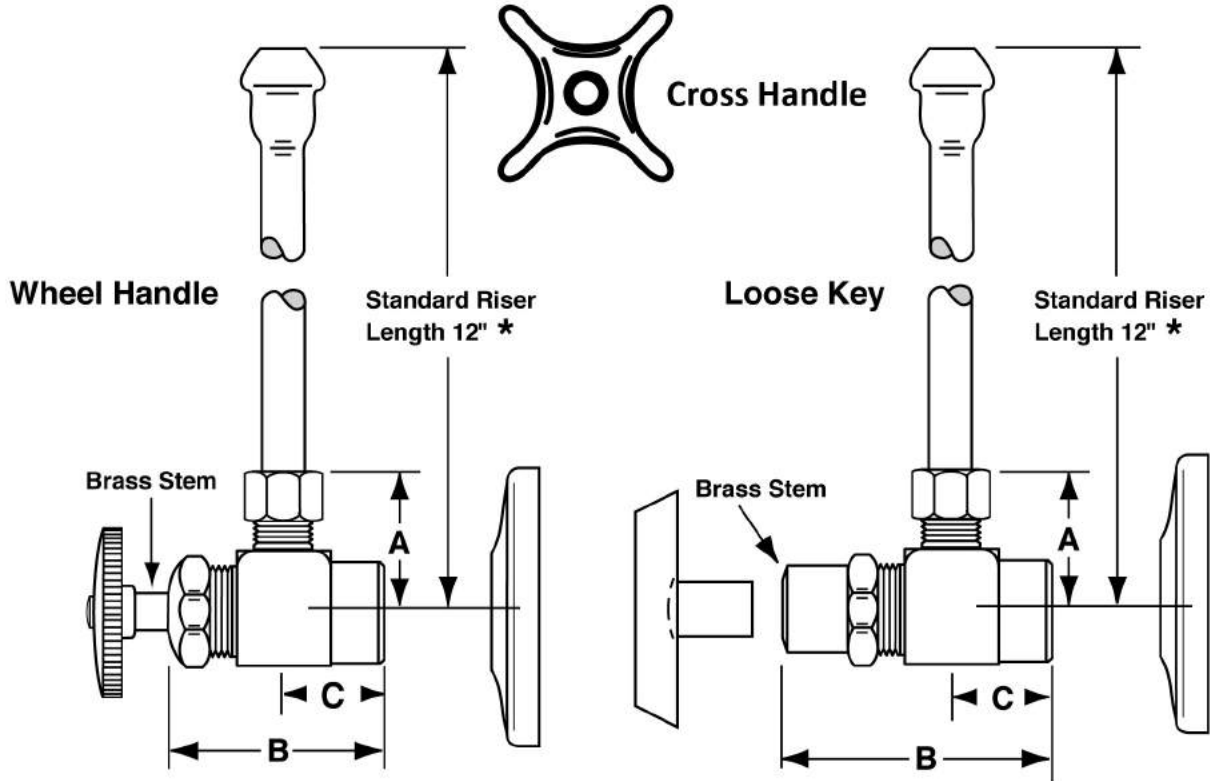
Part No.

**LFH2165**

**Heavy Lavatory Supply**  
**1/2" I.P.S. x O.D.**

**Job Name:**

**Submittal Number:**



NO.	DESCRIPTION	ROUGHING MEASUREMENTS		
		A	B	C
LFH2165	1/2" I.P.S. x 3/8" O.D.	1-3/8"	1-15/16"	1"

LFH2165LK



**LK** designates Loose Key

\* See options and accessories section for details on product variations.

## Specifications:

Supply kit shall include lead free heavy pattern chrome plated brass stops with full turn brass stem, no plastic, (12, 15, 20) inch chrome plated copper risers and (shallow, deep, bell) (steel or brass) or (forged brass with set screw) flange. Inlet shall be (3/8, 1/2) inch (IPS, sweat, compression). Outlet shall be (3/8, 1/2) inch (IPS, compression). Supply kit shall be McGuire \_\_\_\_\_ . Supply kit shall be certified by recognized authority and bear manufacturer and testing mark.



**WARNING:**  
 This product can expose you to chemicals including lead, which is known to the State of California to cause cancer, and birth defects or other reproductive harm. For more information go to [www.P65Warnings.ca.gov](http://www.P65Warnings.ca.gov).



**McGuire Manufacturing Co., Inc.**

60 Grandview Court  
 Cheshire, Connecticut 06410  
 (203) 699-1801 Fax (203) 699-1813  
 customerservice@mcguiremfg.com mcguiremfg.com

**PRODUCT SPECIFICATION**

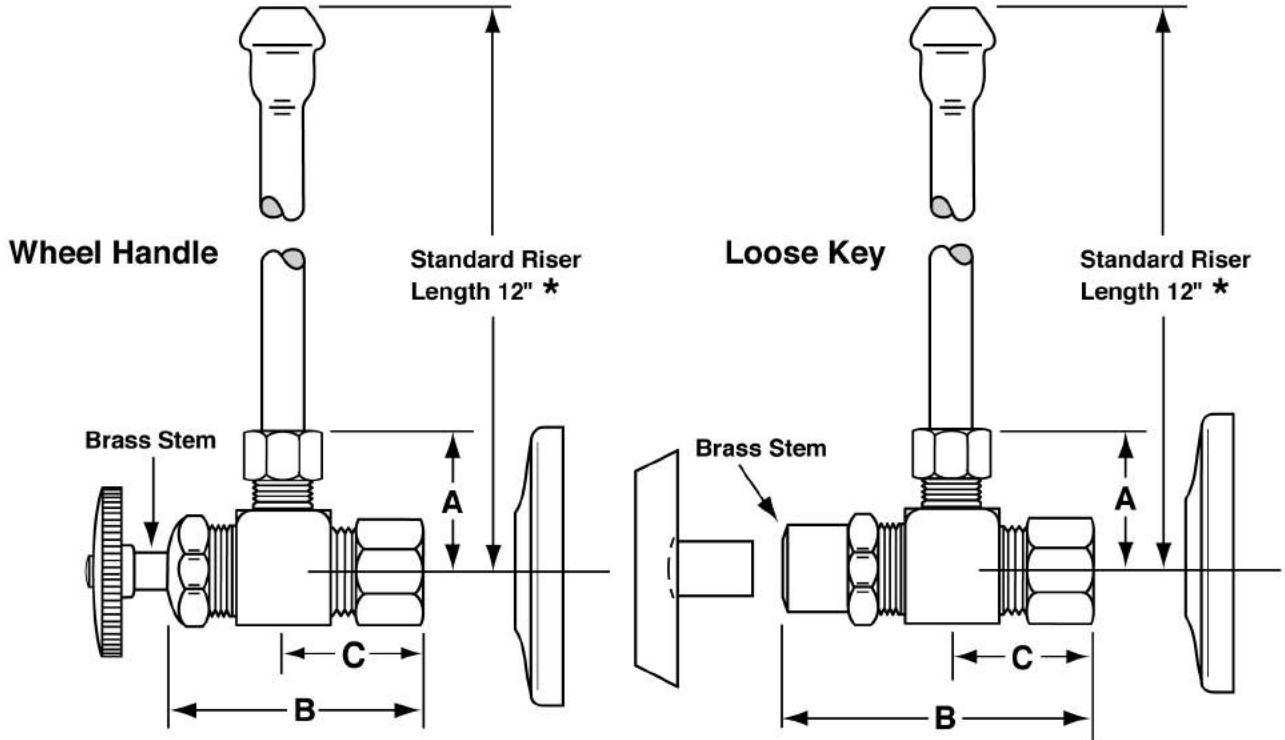
**Part No.**

**LFH2165CC**

**Heavy Lavatory Supply  
 1/2" Nominal x O.D.**

**Job Name:**

**Submittal Number:**



NO.	DESCRIPTION	ROUGHING MEASUREMENTS		
		A	B	C
LFH2165CC	1/2" Nominal x 3/8" O.D.	1-3/8"	2-1/4"	1-3/8"

- Rated Operating Pressure: 20-125 PSI
- Rated Operating Temperature: 40-140°F
- Note: 180°F max. during temporary high-temperature system



**LK** designates Loose Key

\* See options and accessories section for details on product variations.

**Specifications:**

Supply kit shall include lead free chrome plated heavy pattern supply brass stop valves with full turn brass stem, no plastic, (12, 15, 20) inch chrome plated risers and (shallow, deep, bell) (steel, brass) or (forged brass with set screw) flange. Inlet shall be (3/8, 1/2) inch compression. Outlet shall be (3/8, 1/2) inch compression. Supply kit shall be McGuire \_\_\_\_\_ . Supply kit shall be certified by recognized authority and bear manufacturer and testing mark.

**WARNING:**

This product can expose you to chemicals including lead, which is known to the State of California to cause cancer, and birth defects or other reproductive harm. For more information go to [www.P65Warnings.ca.gov](http://www.P65Warnings.ca.gov).



# McGuire Manufacturing Co., Inc.

60 Grandview Court  
 Cheshire, Connecticut 06410  
 (203) 699-1801 Fax (203) 699-1813  
 customerservice@mcguiremfg.com mcguiremfg.com

## PRODUCT SPECIFICATION

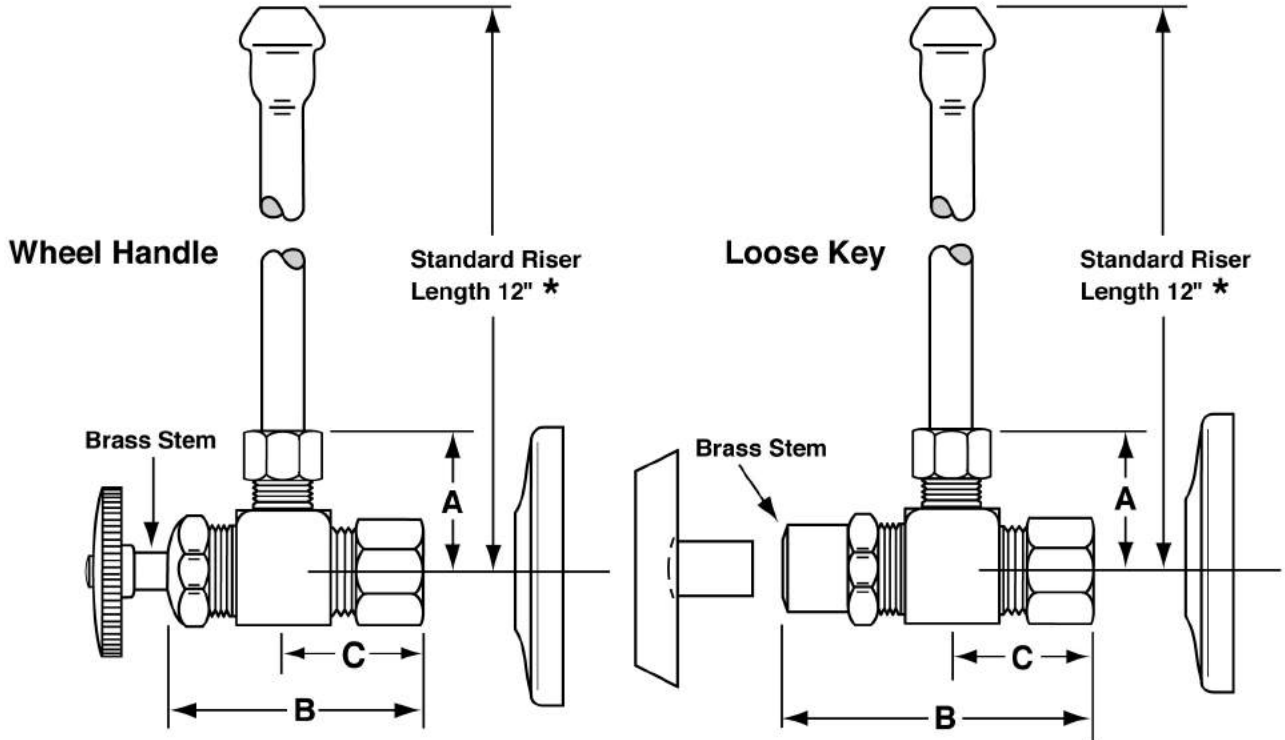
Part No.

**LFH2165CCLK**

**Heavy Lavatory Supply**  
**1/2" Nominal x O.D.**

**Job Name:**

**Submittal Number:**



NO.	DESCRIPTION	ROUGHING MEASUREMENTS		
		A	B	C
<b>LFH2165CCLK</b>	1/2" Nominal x 3/8" O.D.	1-3/8"	2-3/4"	1-3/8"

- Rated Operating Pressure: 20-125 PSI
- Rated Operating Temperature: 40-140°F
- Note: 180°F max. during temporary high-temperature system flush



**LK** designates Loose Key

\* See options and accessories section for details on product variations.

## Specifications:

Supply kit shall include lead free chrome plated heavy pattern supply brass stop valves with full turn brass stem, no plastic, (12, 15, 20) inch chrome plated risers and (shallow, deep, bell) (steel, brass) or (forged brass with set screw) flange. Inlet shall be (3/8, 1/2) inch compression. Outlet shall be (3/8, 1/2) inch compression. Supply kit shall be McGuire \_\_\_\_\_ . Supply kit shall be certified by recognized authority and bear manufacturer and testing mark.

### **WARNING:**

This product can expose you to chemicals including lead, which is known to the State of California to cause cancer, and birth defects or other reproductive harm. For more information go to [www.P65Warnings.ca.gov](http://www.P65Warnings.ca.gov).





# McGuire Manufacturing Co., Inc.

60 Grandview Court  
Cheshire, Connecticut 06410  
(203) 699-1801 Fax (203) 699-1813  
customerservice@mcguiremfg.com mcguiremfg.com

## PRODUCT SPECIFICATION

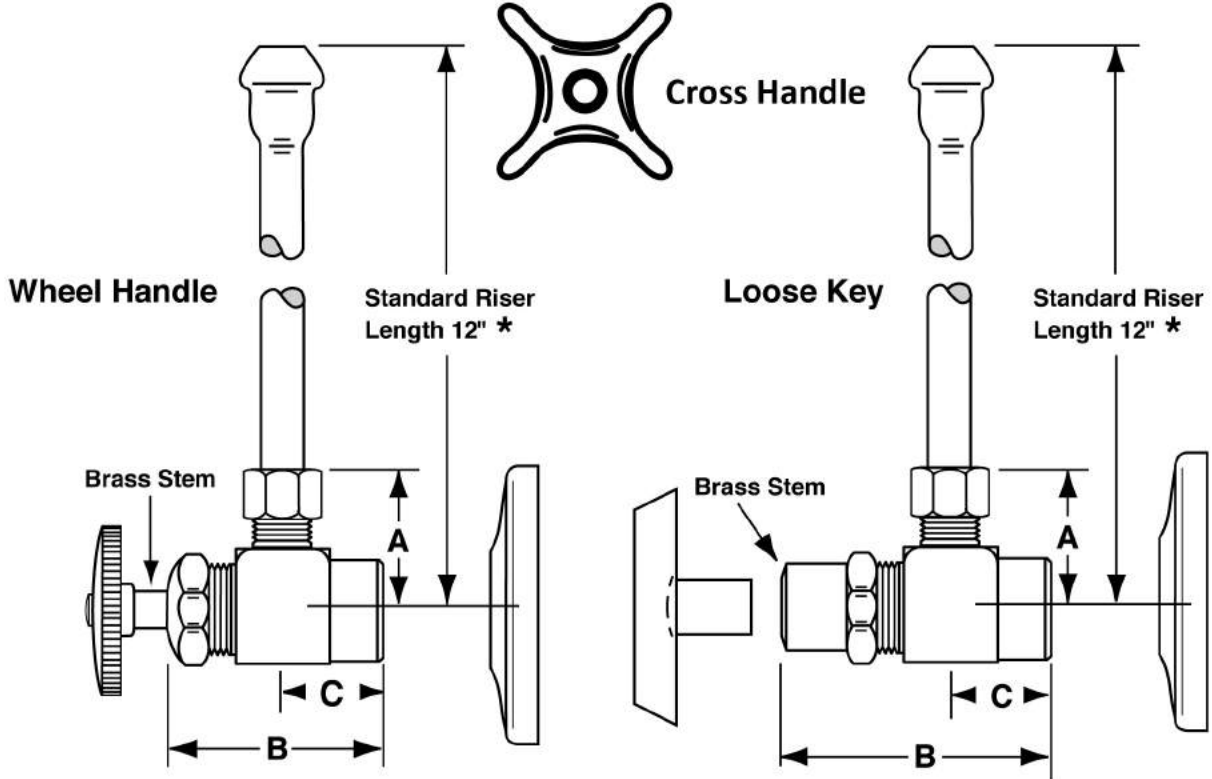
Part No.

# LFH2165LK

## Heavy Lavatory Supply 1/2" I.P.S. x O.D.

Job Name:

Submittal Number:



NO.	DESCRIPTION	ROUGHING MEASUREMENTS		
		A	B	C
LFH2165LK	1/2" I.P.S. x 3/8" O.D.	1-3/8"	2-7/16"	1"

- Rated Operating Pressure: 20-125 PSI
- Rated Operating Temperature: 40-140°F
- Note: 180°F max. during temporary high-temperature system flush



**LK** designates Loose Key

\* See options and accessories section for details on product variations.

## Specifications:

Supply kit shall include lead free heavy pattern chrome plated brass stops with full turn brass stem, no plastic, (12, 15, 20) inch chrome plated copper risers and (shallow, deep, bell) (steel or brass) or (forged brass with set screw) flange. Inlet shall be (3/8, 1/2) inch (IPS, sweat, compression). Outlet shall be (3/8, 1/2) inch (IPS, compression). Supply kit shall be McGuire \_\_\_\_\_ . Supply kit shall be certified by recognized authority and bear manufacturer and testing mark.

### WARNING:

This product can expose you to chemicals including lead, which is known to the State of California to cause cancer, and birth defects or other reproductive harm. For more information go to [www.P65Warnings.ca.gov](http://www.P65Warnings.ca.gov).



# McGuire Manufacturing Co., Inc.

60 Grandview Court  
 Cheshire, Connecticut 06410  
 (203) 699-1801 Fax (203) 699-1813  
 customerservice@mcguiremfg.com mcguiremfg.com

## PRODUCT SPECIFICATION

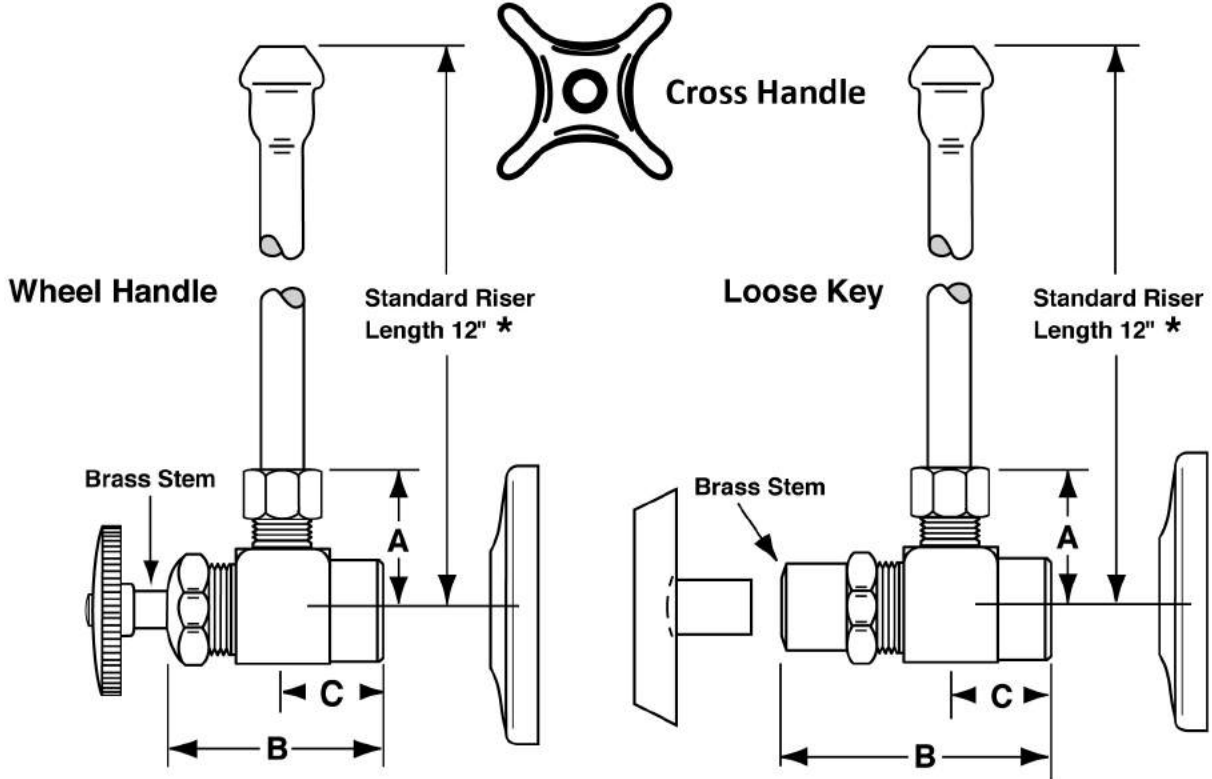
Part No.

**LFH2165X**

**Heavy Lavatory Supply**  
**1/2" I.P.S. x O.D.**

**Job Name:**

**Submittal Number:**



NO.	DESCRIPTION	ROUGHING MEASUREMENTS		
		A	B	C
LFH2165X	1/2" I.P.S. x 3/8" O.D.	1-3/8"	1-15/16"	1"



**LK** designates Loose Key

\* See options and accessories section for details on product variations.

## Specifications:

Supply kit shall include lead free heavy pattern chrome plated brass stops with full turn brass stem, no plastic, (12, 15, 20) inch chrome plated copper risers and (shallow, deep, bell) (steel or brass) or (forged brass with set screw) flange. Inlet shall be (3/8, 1/2) inch (IPS, sweat, compression). Outlet shall be (3/8, 1/2) inch (IPS, compression). Supply kit shall be McGuire \_\_\_\_\_ . Supply kit shall be certified by recognized authority and bear manufacturer and testing mark.



### WARNING:

This product can expose you to chemicals including lead, which is known to the State of California to cause cancer, and birth defects or other reproductive harm. For more information go to [www.P65Warnings.ca.gov](http://www.P65Warnings.ca.gov).



# McGuire Manufacturing Co., Inc.

60 Grandview Court  
 Cheshire, Connecticut 06410  
 (203) 699-1801 Fax (203) 699-1813  
 customerservice@mcguiremfg.com mcguiremfg.com

## PRODUCT SPECIFICATION

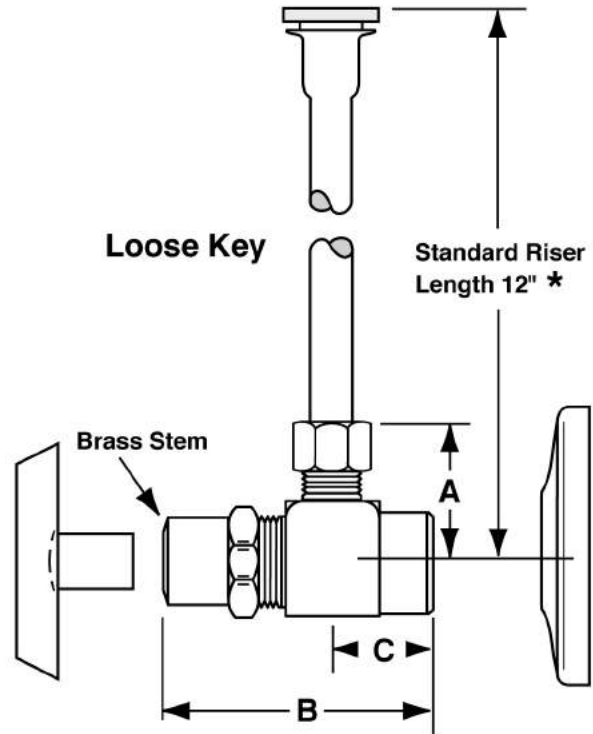
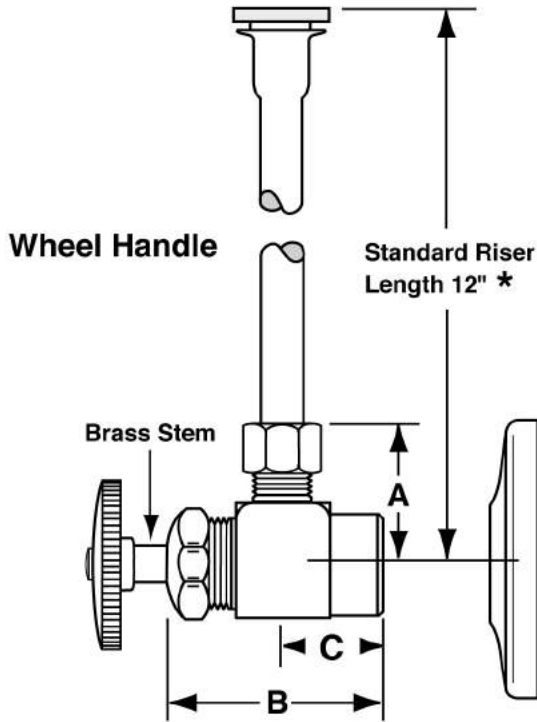
Part No.

**LFH2166**

**Heavy Closet Supply**  
**1/2" I.P.S. x O.D.**

**Job Name:** \_\_\_\_\_

**Submittal Number:** \_\_\_\_\_



NO.	DESCRIPTION	ROUGHING MEASUREMENTS		
		A	B	C
LFH2166	1/2" I.P.S. x 3/8" O.D.	1-3/8"	1-15/16"	1"



**LK** designates Loose Key

\* See options and accessories section for details on product variations.

## Specifications:

Supply kit shall include lead free chrome plated heavy pattern brass supply stop valves with full turn brass stem, no plastic, (12, 15, 20) inch chrome plated risers and (shallow, deep, bell) (steel, brass) or (forged brass with set screw) flange. Inlet shall be (3/8, 1/2) inch (IPS, sweat, compression). Outlet shall be (3/8, 1/2) inch (IPS, compression). Supply kit shall be McGuire \_\_\_\_\_ . Supply kit shall be certified by recognized authority and bear manufacturer and testing mark.



### WARNING:

This product can expose you to chemicals including lead, which is known to the State of California to cause cancer, and birth defects or other reproductive harm. For more information go to [www.P65Warnings.ca.gov](http://www.P65Warnings.ca.gov).



# McGuire Manufacturing Co., Inc.

60 Grandview Court  
 Cheshire, Connecticut 06410  
 (203) 699-1801 Fax (203) 699-1813  
 customerservice@mcguiremfg.com mcguiremfg.com

## PRODUCT SPECIFICATION

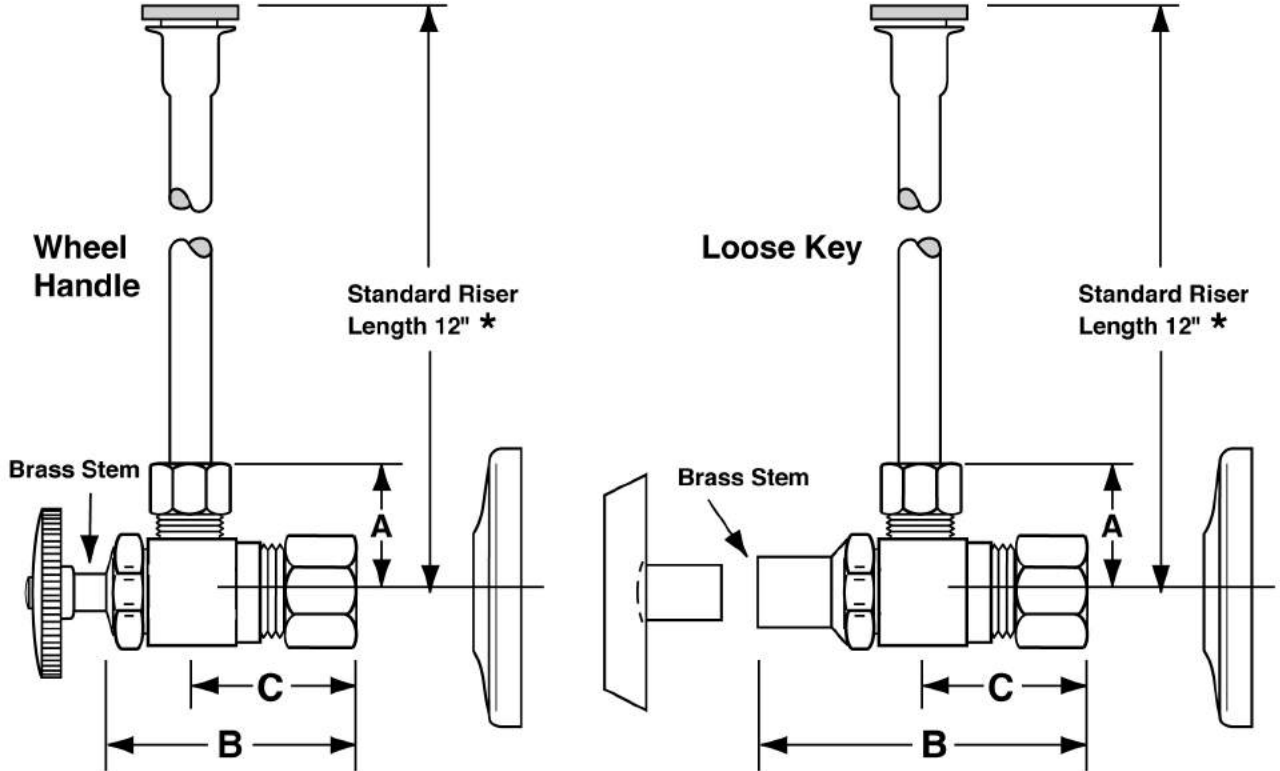
Part No.

**LFH2166CC**

**Heavy Closet Supply**  
 1/2" Nominal x O.D.

**Job Name:**

**Submittal Number:**



NO.	DESCRIPTION	ROUGHING MEASUREMENTS		
		A	B	C
LFH2166CC	1/2" Nominal x 3/8" O.D.	1"	1-1/2"	3/4"



**LK** designates Loose Key

\* See options and accessories section for details on product variations.

## Specifications:

Supply kit shall include low lead chrome plated heavy pattern brass supply stop valves with full turn brass stem, no plastic, (12, 15, 20) inch chrome plated risers and (shallow, deep, bell) (steel, brass) or (forged brass with set screw) flange. Inlet shall be (3/8, 1/2) inch (IPS, sweat, compression). Outlet shall be (3/8, 1/2) inch (IPS, compression). Supply kit shall be McGuire \_\_\_\_\_ . Supply kit shall be low lead certified by recognized authority and bear manufacturer and testing mark.



### WARNING:

This product can expose you to chemicals including lead, which is known to the State of California to cause cancer, and birth defects or other reproductive harm. For more information go to [www.P65Warnings.ca.gov](http://www.P65Warnings.ca.gov).





# McGuire Manufacturing Co., Inc.

60 Grandview Court  
 Cheshire, Connecticut 06410  
 (203) 699-1801 Fax (203) 699-1813  
 customerservice@mcguiremfg.com mcguiremfg.com

## PRODUCT SPECIFICATION

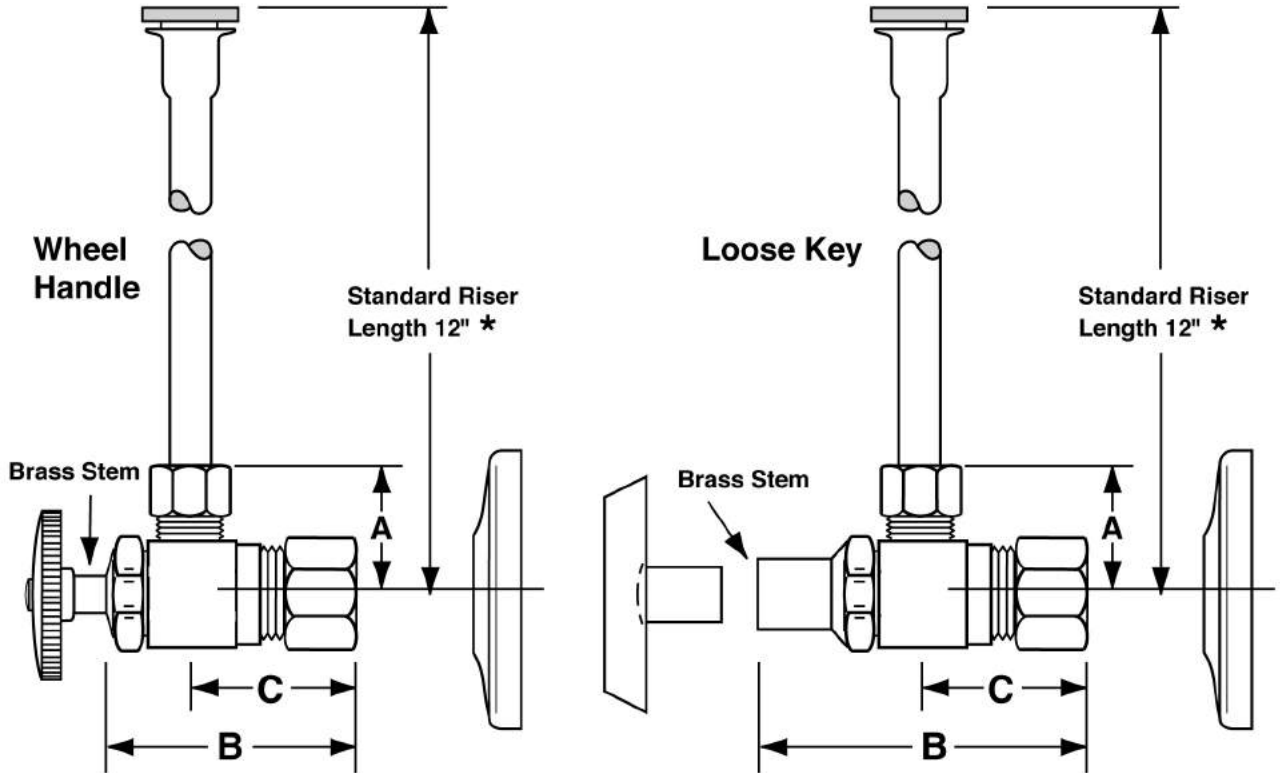
Part No.

**LFH2166CCLK**

**Heavy Closet Supply**  
 1/2" Nominal x O.D.

**Job Name:**

**Submittal Number:**



NO.	DESCRIPTION	ROUGHING MEASUREMENTS		
		A	B	C
LFH2166CCLK	1/2" Nominal x 3/8" O.D.	1"	2-1/4"	3/4"



**LK** designates Loose Key

\* See options and accessories section for details on product variations.

## Specifications:

Supply kit shall include low lead chrome plated heavy pattern brass supply stop valves with full turn brass stem, no plastic, (12, 15, 20) inch chrome plated risers and (shallow, deep, bell) (steel, brass) or (forged brass with set screw) flange. Inlet shall be (3/8, 1/2) inch (IPS, sweat, compression). Outlet shall be (3/8, 1/2) inch (IPS, compression). Supply kit shall be McGuire \_\_\_\_\_ . Supply kit shall be low lead certified by recognized authority and bear manufacturer and testing mark.



### WARNING:

This product can expose you to chemicals including lead, which is known to the State of California to cause cancer, and birth defects or other reproductive harm. For more information go to [www.P65Warnings.ca.gov](http://www.P65Warnings.ca.gov).



# McGuire Manufacturing Co., Inc.

60 Grandview Court  
Cheshire, Connecticut 06410  
(203) 699-1801 Fax (203) 699-1813  
customerservice@mcguiremfg.com mcguiremfg.com

## PRODUCT SPECIFICATION

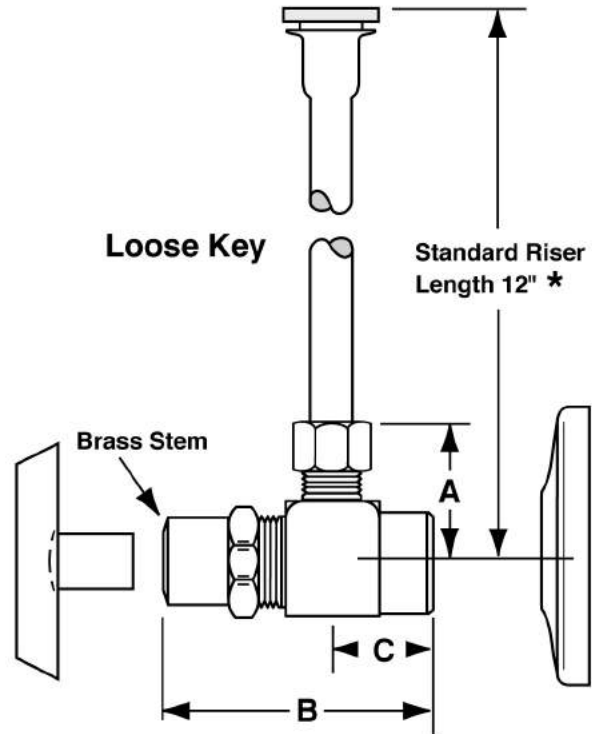
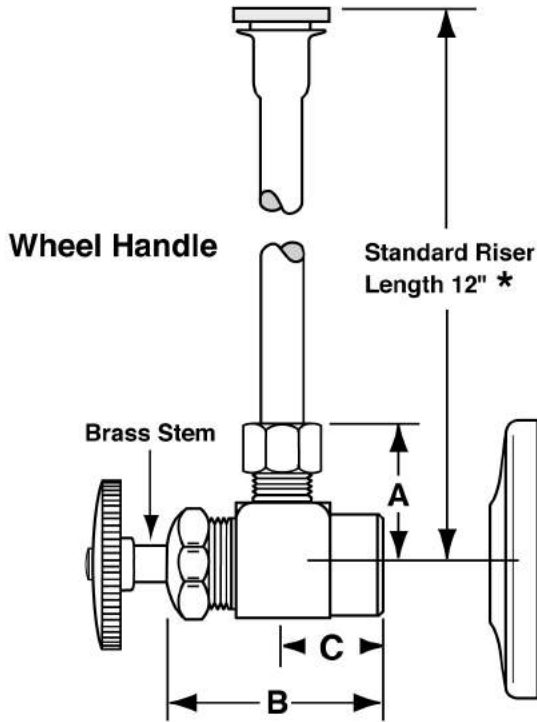
Part No.

# LFH2166LK

## Heavy Closet Supply 1/2" I.P.S. x O.D.

Job Name: \_\_\_\_\_

Submittal Number: \_\_\_\_\_



NO.	DESCRIPTION	ROUGHING MEASUREMENTS		
		A	B	C
LFH2166LK	1/2" I.P.S. x 3/8" O.D.	1-3/8"	2-7/16"	1"



**LK** designates Loose Key

\* See options and accessories section for details on product variations.

## Specifications:

Supply kit shall include lead free chrome plated heavy pattern brass supply stop valves with full turn brass stem, no plastic, (12, 15, 20) inch chrome plated risers and (shallow, deep, bell) (steel, brass) or (forged brass with set screw) flange. Inlet shall be (3/8, 1/2) inch (IPS, sweat, compression). Outlet shall be (3/8, 1/2) inch (IPS, compression). Supply kit shall be McGuire \_\_\_\_\_ . Supply kit shall be certified by recognized authority and bear manufacturer and testing mark.



### WARNING:

This product can expose you to chemicals including lead, which is known to the State of California to cause cancer, and birth defects or other reproductive harm. For more information go to [www.P65Warnings.ca.gov](http://www.P65Warnings.ca.gov).



# McGuire Manufacturing Co., Inc.

60 Grandview Court  
 Cheshire, Connecticut 06410  
 (203) 699-1801 Fax (203) 699-1813  
 customerservice@mcguiremfg.com mcguiremfg.com

## PRODUCT SPECIFICATION

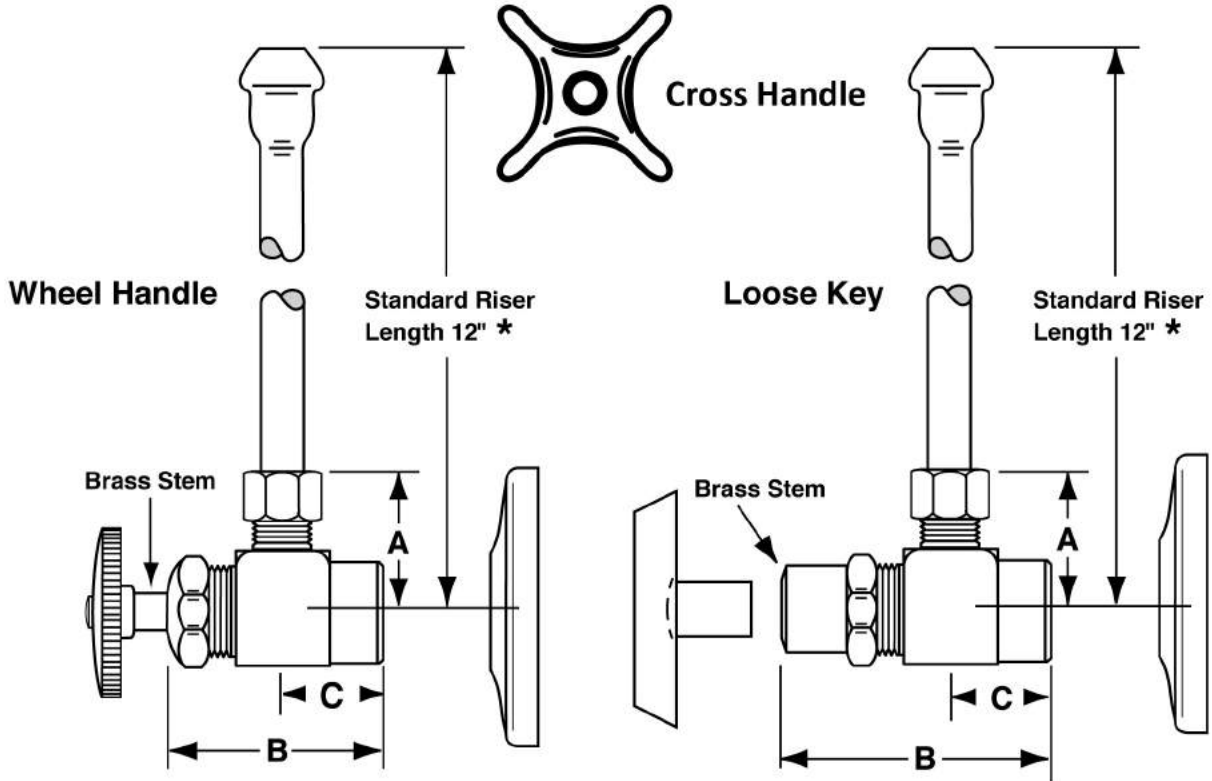
**Part No.**

**LFH2167**

**Heavy Lavatory Supply**  
**1/2" I.P.S. x O.D.**

**Job Name:**

**Submittal Number:**



NO.	DESCRIPTION	ROUGHING MEASUREMENTS		
		A	B	C
LFH2167	1/2" I.P.S. x 1/2" O.D.	1-3/8"	1-15/16"	1"



**LK** designates Loose key

\* See options and accessories section for details on product variations.

## Specifications:

Supply kit shall include lead free heavy pattern chrome plated brass stops with full turn brass stem, no plastic, (12, 15, 20) inch chrome plated copper risers and (shallow, deep, bell) (steel or brass) or (forged brass with set screw) flange. Inlet shall be (3/8, 1/2) inch (IPS, sweat, compression). Outlet shall be (3/8, 1/2) inch (IPS, compression). Supply kit shall be McGuire \_\_\_\_\_ . Supply kit shall be certified by recognized authority and bear manufacturer and testing mark.



**WARNING:**

This product can expose you to chemicals including lead, which is known to the State of California to cause cancer, and birth defects or other reproductive harm. For more information go to [www.P65Warnings.ca.gov](http://www.P65Warnings.ca.gov).



**McGuire Manufacturing Co., Inc.**

60 Grandview Court  
 Cheshire, Connecticut 06410  
 (203) 699-1801 Fax (203) 699-1813  
 customerservice@mcguiremfg.com mcguiremfg.com

**PRODUCT SPECIFICATION**

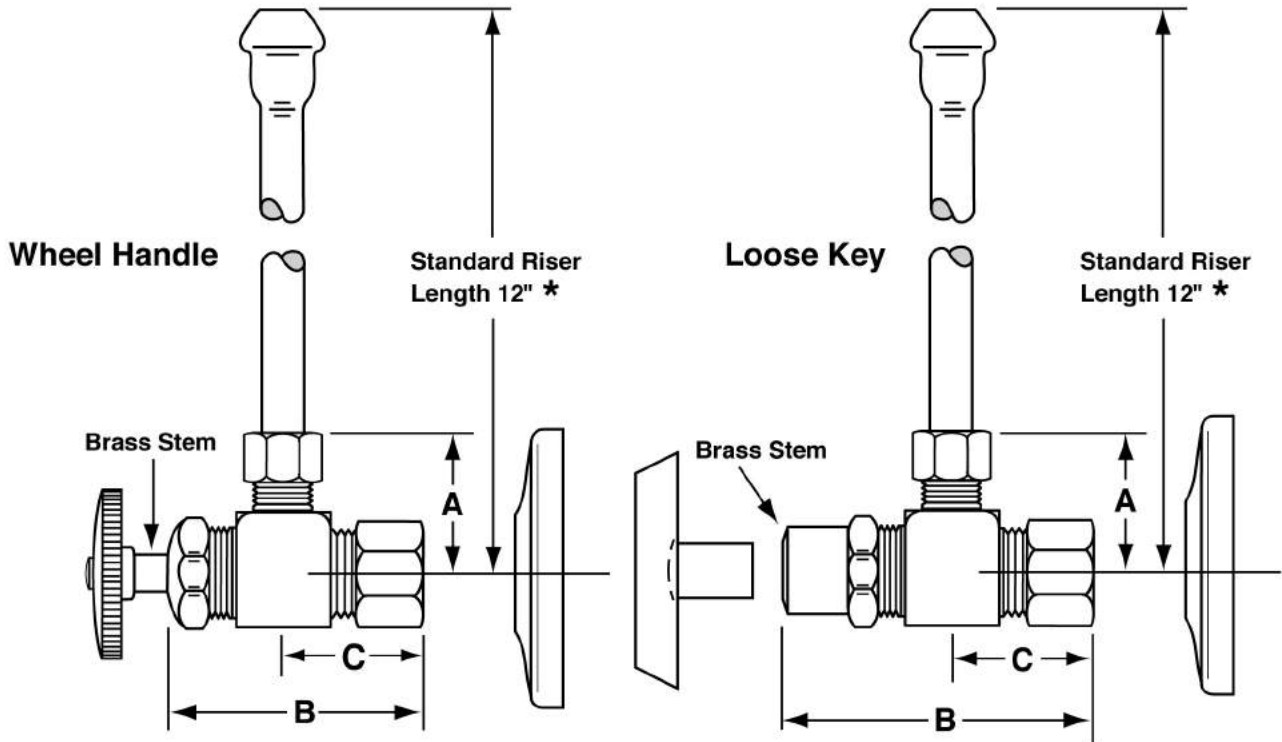
**Part No.**

**LFH2167CC**

**Heavy Lavatory Supply  
 1/2" Nominal x O.D.**

**Job Name:**

**Submittal Number:**



NO.	DESCRIPTION	ROUGHING MEASUREMENTS		
		A	B	C
LFH2167CC	1/2" Nominal x 1/2" O.D.	1-1/2"	2-1/4"	1-3/8"



**LK** designates Loose Key

\* See options and accessories section for details on product variations.

**Specifications:**

Supply kit shall include lead free chrome plated heavy pattern supply brass stop valves with full turn brass stem, no plastic, (12, 15, 20) inch chrome plated risers and (shallow, deep, bell) (steel, brass) or (forged brass with set screw) flange. Inlet shall be (3/8, 1/2) inch compression. Outlet shall be (3/8, 1/2) inch compression. Supply kit shall be McGuire \_\_\_\_\_ . Supply kit shall be certified by recognized authority and bear manufacturer and testing mark.

**WARNING:**

This product can expose you to chemicals including lead, which is known to the State of California to cause cancer, and birth defects or other reproductive harm. For more information go to [www.P65Warnings.ca.gov](http://www.P65Warnings.ca.gov).





# McGuire Manufacturing Co., Inc.

60 Grandview Court  
Cheshire, Connecticut 06410  
(203) 699-1801 Fax (203) 699-1813  
customerservice@mcguiremfg.com mcguiremfg.com

## PRODUCT SPECIFICATION

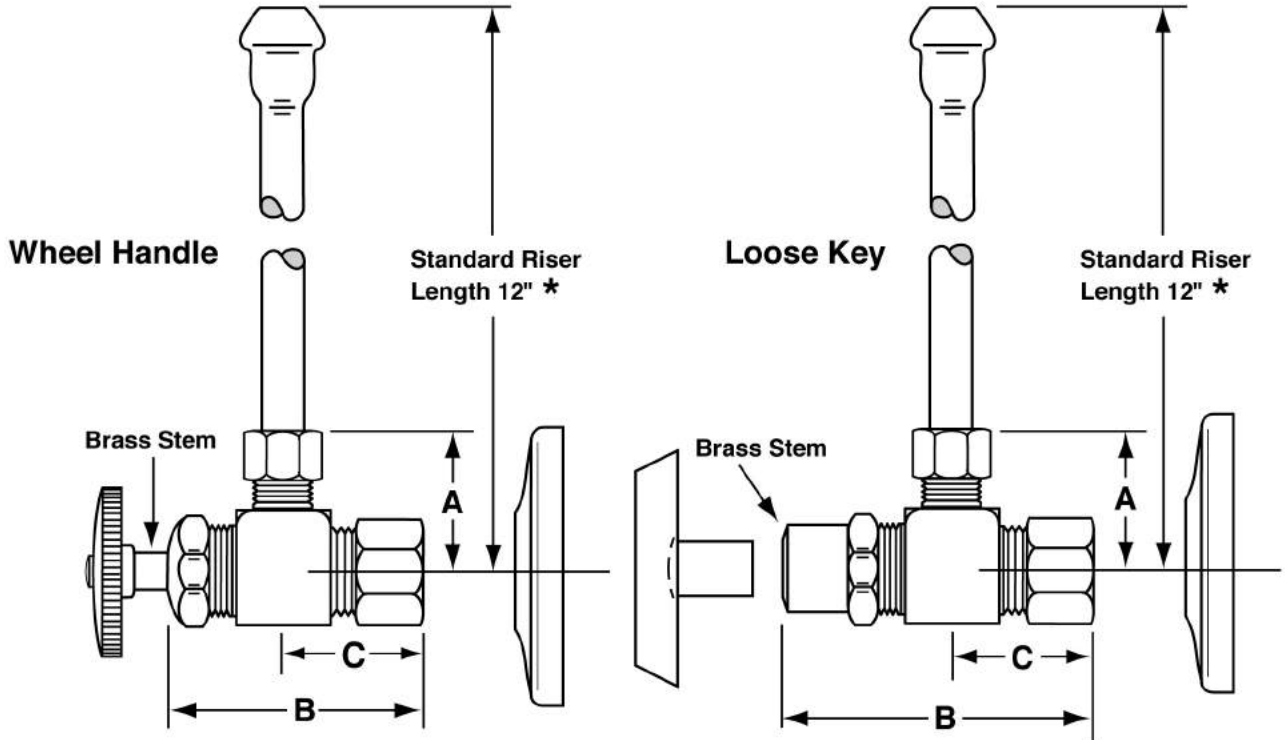
Part No.

# LFH2167CCLK

### Heavy Lavatory Supply 1/2" Nominal x O.D.

Job Name:

Submittal Number:



NO.	DESCRIPTION	ROUGHING MEASUREMENTS		
		A	B	C
LFH2167CCLK	1/2" Nominal x 1/2" O.D.	1-1/2"	2-3/4"	1-3/8"



LK designates Loose Key

\* See options and accessories section for details on product variations.

## Specifications:

Supply kit shall include lead free chrome plated heavy pattern supply brass stop valves with full turn brass stem, no plastic, (12, 15, 20) inch chrome plated risers and (shallow, deep, bell) (steel, brass) or (forged brass with set screw) flange. Inlet shall be (3/8, 1/2) inch compression. Outlet shall be (3/8, 1/2) inch compression. Supply kit shall be McGuire \_\_\_\_\_ . Supply kit shall be certified by recognized authority and bear manufacturer and testing mark.

### WARNING:

This product can expose you to chemicals including lead, which is known to the State of California to cause cancer, and birth defects or other reproductive harm. For more information go to [www.P65Warnings.ca.gov](http://www.P65Warnings.ca.gov).



**McGuire Manufacturing Co., Inc.**

60 Grandview Court  
 Cheshire, Connecticut 06410  
 (203) 699-1801 Fax (203) 699-1813  
 customerservice@mcguiremfg.com mcguiremfg.com

**PRODUCT SPECIFICATION**

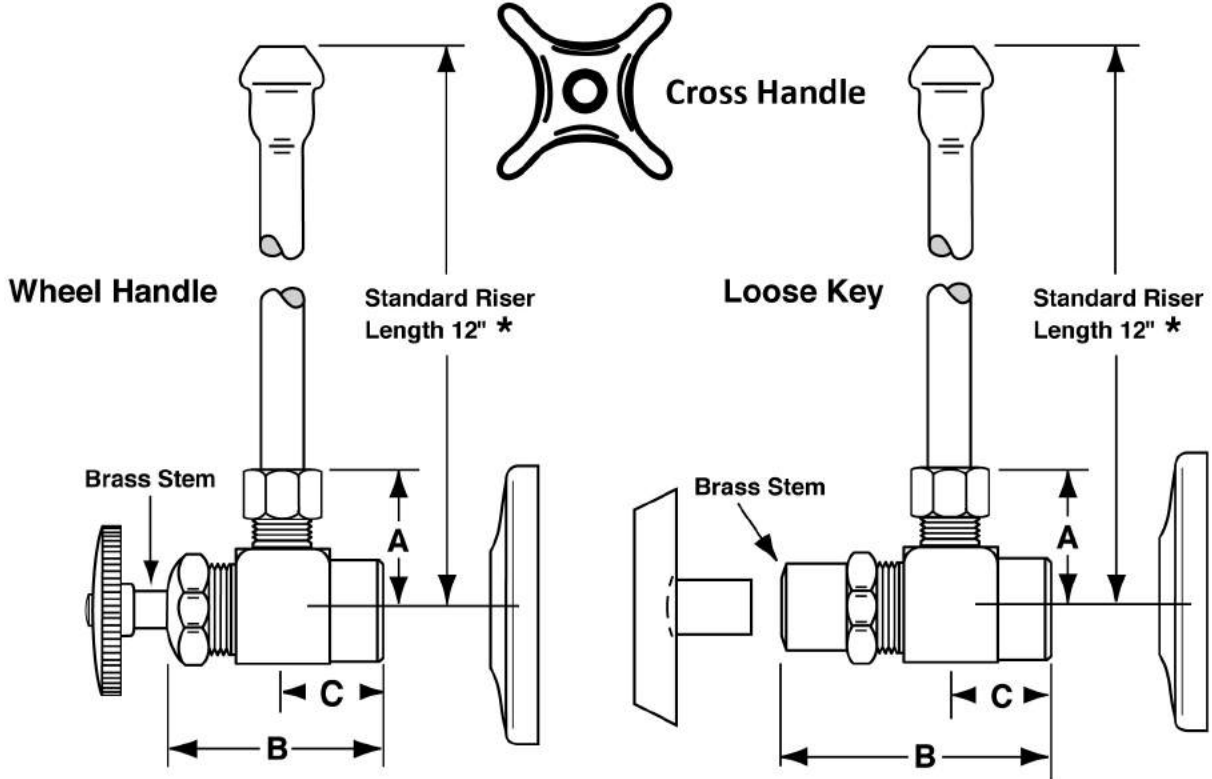
**Part No.**

**LFH2167LK**

**Heavy Lavatory Supply**  
**1/2" I.P.S. x O.D.**

**Job Name:**

**Submittal Number:**



NO.	DESCRIPTION	ROUGHING MEASUREMENTS		
		A	B	C
LFH2167LK	1/2" I.P.S. x 1/2" O.D.	1-3/8"	2-7/16"	1"



**LK** designates Loose Key

\* See options and accessories section for details on product variations.

**Specifications:**

Supply kit shall include lead free heavy pattern chrome plated brass stops with full turn brass stem, no plastic, (12, 15, 20) inch chrome plated copper risers and (shallow, deep, bell) (steel or brass) or (forged brass with set screw) flange. Inlet shall be (3/8, 1/2) inch (IPS, sweat, compression). Outlet shall be (3/8, 1/2) inch (IPS, compression). Supply kit shall be McGuire \_\_\_\_\_ . Supply kit shall be certified by recognized authority and bear manufacturer and testing mark.



**WARNING:**

This product can expose you to chemicals including lead, which is known to the State of California to cause cancer, and birth defects or other reproductive harm. For more information go to [www.P65Warnings.ca.gov](http://www.P65Warnings.ca.gov).



# McGuire Manufacturing Co., Inc.

60 Grandview Court  
 Cheshire, Connecticut 06410  
 (203) 699-1801 Fax (203) 699-1813  
 customerservice@mcguiremfg.com mcguiremfg.com

## PRODUCT SPECIFICATION

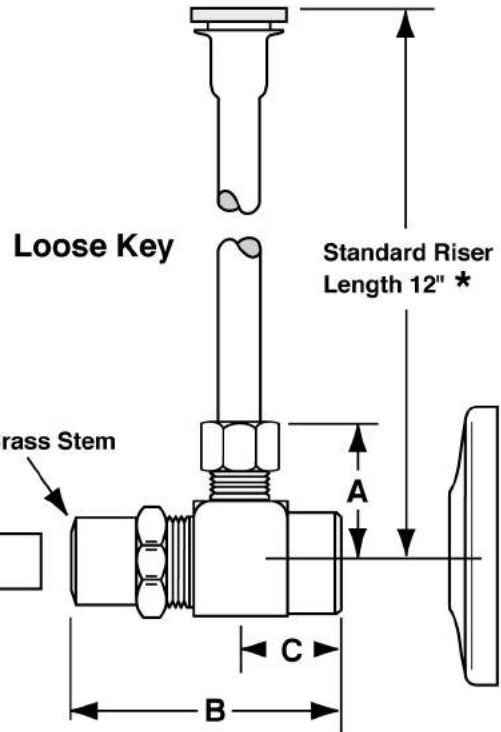
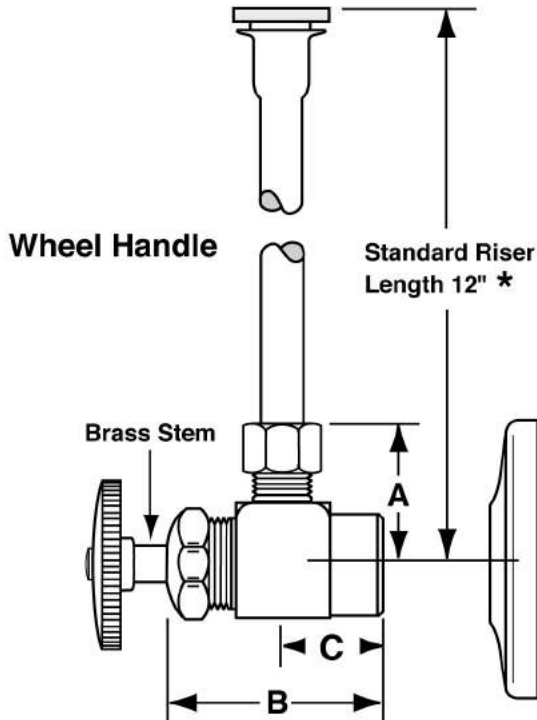
Part No.

**LFH2169**

**Heavy Closet Supply**  
**1/2" I.P.S. x O.D.**

**Job Name:**

**Submittal Number:**



NO.	DESCRIPTION	ROUGHING MEASUREMENTS		
		A	B	C
LFH2169	1/2" I.P.S. x 1/2" O.D.	1-3/8"	1-15/16"	1"



**LK** designates Loose Key

\* See options and accessories section for details on product variations.

## Specifications:

Supply kit shall include lead free chrome plated heavy pattern brass supply stop valves with full turn brass stem, no plastic, (12, 15, 20) inch chrome plated risers and (shallow, deep, bell) (steel, brass) or (forged brass with set screw) flange. Inlet shall be (3/8, 1/2) inch (IPS, sweat, compression). Outlet shall be (3/8, 1/2) inch (IPS, compression). Supply kit shall be McGuire \_\_\_\_\_ . Supply kit shall be certified by recognized authority and bear manufacturer and testing mark.



### WARNING:

This product can expose you to chemicals including lead, which is known to the State of California to cause cancer, and birth defects or other reproductive harm. For more information go to [www.P65Warnings.ca.gov](http://www.P65Warnings.ca.gov).



# McGuire Manufacturing Co., Inc.

60 Grandview Court  
 Cheshire, Connecticut 06410  
 (203) 699-1801 Fax (203) 699-1813  
 customerservice@mcguiremfg.com mcguiremfg.com

## PRODUCT SPECIFICATION

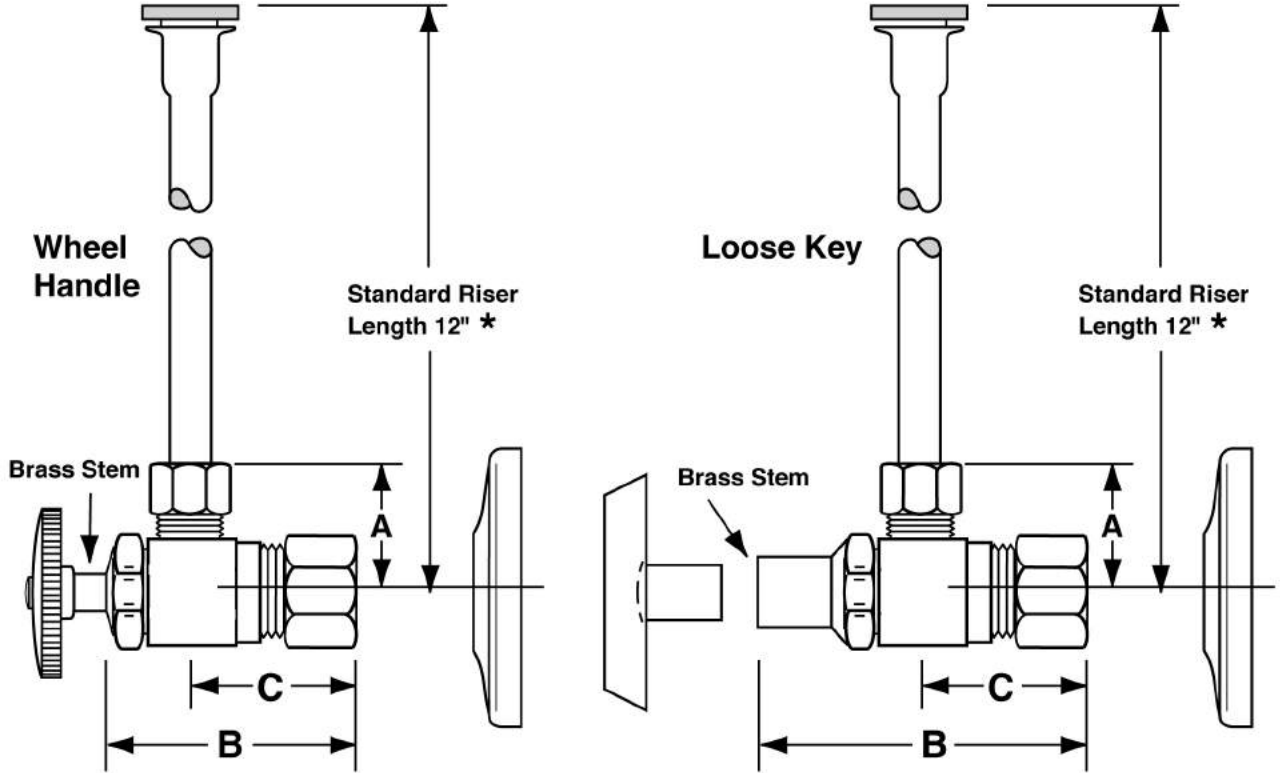
Part No.

**LFH2169CC**

**Heavy Closet Supply**  
 1/2" Nominal x O.D.

**Job Name:**

**Submittal Number:**



NO.	DESCRIPTION	ROUGHING MEASUREMENTS		
		A	B	C
LFH2169CC	1/2" Nominal x 1/2" O.D.	1"	1-1/2"	3/4"



**LK** designates Loose Key

\* See options and accessories section for details on product variations.

## Specifications:

Supply kit shall include low lead chrome plated heavy pattern brass supply stop valves with full turn brass stem, no plastic, (12, 15, 20) inch chrome plated risers and (shallow, deep, bell) (steel, brass) or (forged brass with set screw) flange. Inlet shall be (3/8, 1/2) inch (IPS, sweat, compression). Outlet shall be (3/8, 1/2) inch (IPS, compression). Supply kit shall be McGuire \_\_\_\_\_ . Supply kit shall be low lead certified by recognized authority and bear manufacturer and testing mark.



### WARNING:

This product can expose you to chemicals including lead, which is known to the State of California to cause cancer, and birth defects or other reproductive harm. For more information go to [www.P65Warnings.ca.gov](http://www.P65Warnings.ca.gov).





# McGuire Manufacturing Co., Inc.

60 Grandview Court  
 Cheshire, Connecticut 06410  
 (203) 699-1801 Fax (203) 699-1813  
 customerservice@mcguiremfg.com mcguiremfg.com

## PRODUCT SPECIFICATION

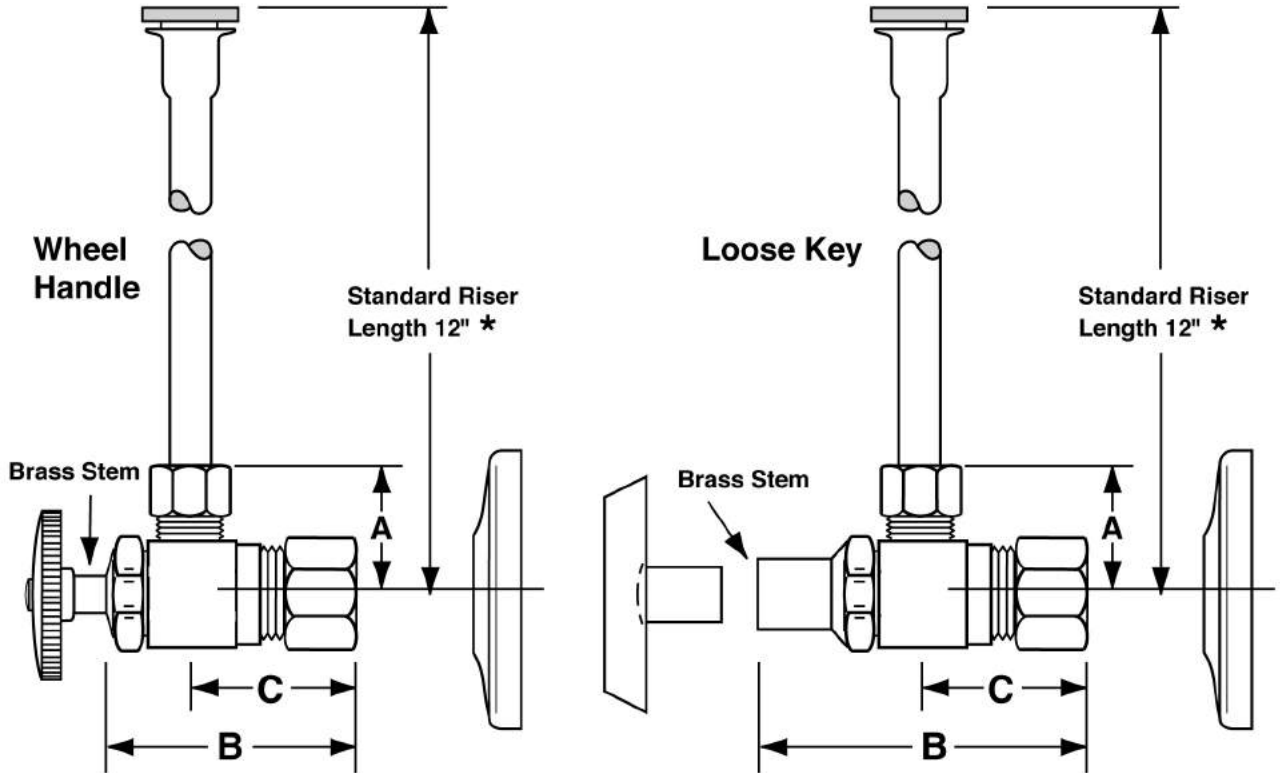
Part No.

**LFH2169CCLK**

**Heavy Closet Supply**  
 1/2" Nominal x O.D.

**Job Name:**

**Submittal Number:**



NO.	DESCRIPTION	ROUGHING MEASUREMENTS		
		A	B	C
LFH2169CCLK	1/2" Nominal x 1/2" O.D.	1"	2-1/4"	3/4"



**LK** designates Loose Key

\* See options and accessories section for details on product variations.

## Specifications:

Supply kit shall include low lead chrome plated heavy pattern brass supply stop valves with full turn brass stem, no plastic, (12, 15, 20) inch chrome plated risers and (shallow, deep, bell) (steel, brass) or (forged brass with set screw) flange. Inlet shall be (3/8, 1/2) inch (IPS, sweat, compression). Outlet shall be (3/8, 1/2) inch (IPS, compression). Supply kit shall be McGuire \_\_\_\_\_ . Supply kit shall be low lead certified by recognized authority and bear manufacturer and testing mark.



### WARNING:

This product can expose you to chemicals including lead, which is known to the State of California to cause cancer, and birth defects or other reproductive harm. For more information go to [www.P65Warnings.ca.gov](http://www.P65Warnings.ca.gov).



# McGuire Manufacturing Co., Inc.

60 Grandview Court  
 Cheshire, Connecticut 06410  
 (203) 699-1801 Fax (203) 699-1813  
 customerservice@mcguiremfg.com mcguiremfg.com

## PRODUCT SPECIFICATION

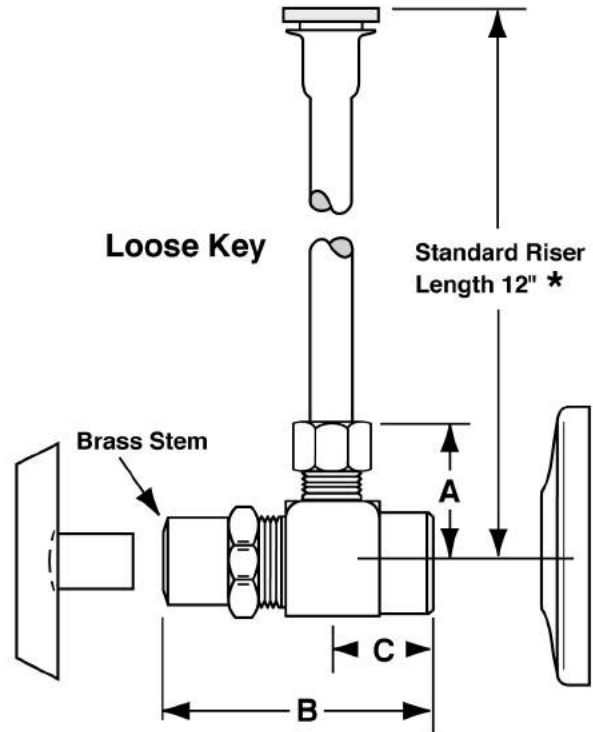
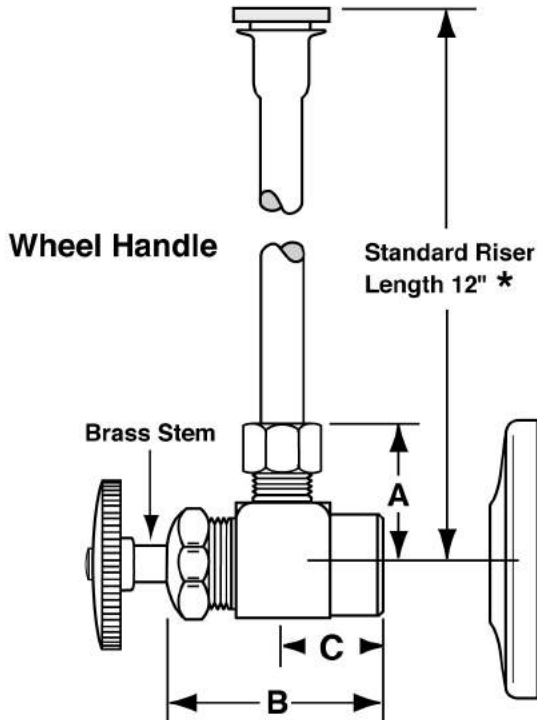
Part No.

**LFH2169LK**

**Heavy Closet Supply**  
**1/2" I.P.S. x O.D.**

**Job Name:**

**Submittal Number:**



NO.	DESCRIPTION	ROUGHING MEASUREMENTS		
		A	B	C
LFH2169LK	1/2" I.P.S. x 1/2" O.D.	1-3/8"	2-7/16"	1"



**LK** designates Loose Key

\* See options and accessories section for details on product variations.

## Specifications:

Supply kit shall include lead free chrome plated heavy pattern brass supply stop valves with full turn brass stem, no plastic, (12, 15, 20) inch chrome plated risers and (shallow, deep, bell) (steel, brass) or (forged brass with set screw) flange. Inlet shall be (3/8, 1/2) inch (IPS, sweat, compression). Outlet shall be (3/8, 1/2) inch (IPS, compression). Supply kit shall be McGuire \_\_\_\_\_ . Supply kit shall be certified by recognized authority and bear manufacturer and testing mark.



### WARNING:

This product can expose you to chemicals including lead, which is known to the State of California to cause cancer, and birth defects or other reproductive harm. For more information go to [www.P65Warnings.ca.gov](http://www.P65Warnings.ca.gov).